

### T-Coupler Slimline M12 male/2xM12 female A-cod LED

5-pol. / 2x 4-pol.

T-coupler (Slim Line)

Male straight – females straight

M12 – M12

5-pole

3× LED (PNP)

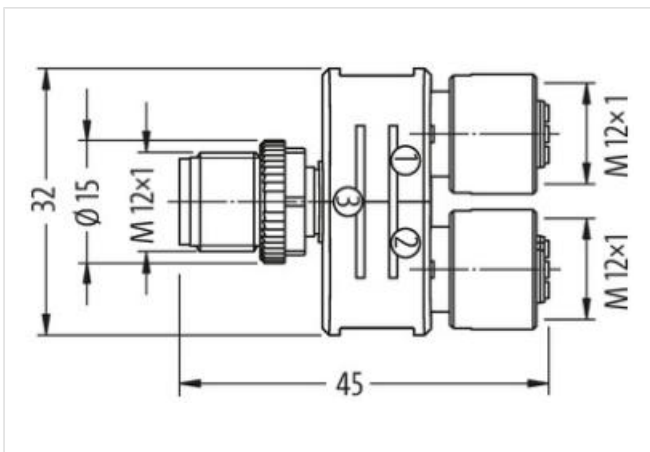
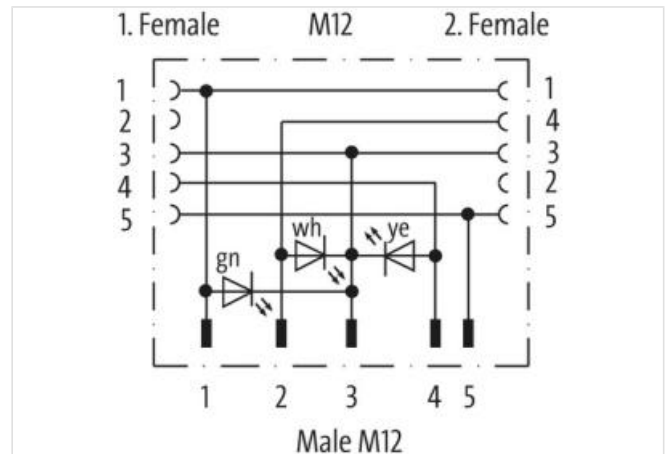
Distribution function (NO)

Plastic housings with good resistance against chemicals and oils.

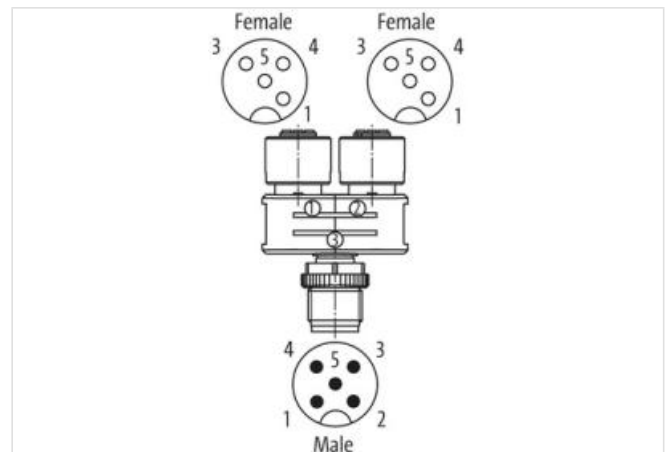
The resistance to aggressive media should be individually tested for your application. Further details on request.

#### [Link to Product](#)

##### Illustration



Product may differ from Image



##### Form

Form

41135

##### Technical Data

Operating voltage	24 V DC $\pm 25\%$
Operating voltage (only UL listed)	30 V DC
Rated surge voltage	0.8 kV
Operating current per contact	max. 4 A
Locking of ports	Screw thread (M12×1 mm) recommended torque 0.6 Nm, self-securing
Protection	IP67 inserted and tightened (EN 60529)

**General data**

Temperature range	-25...+85 °C
-------------------	--------------

# Mouser Electronics

Authorized Distributor

Click to View Pricing, Inventory, Delivery & Lifecycle Information:

[Murrelektronik:](#)

[7000-41135-0000000](tel:7000-41135-0000000)