

Dupline® Input module Type G 8810 2201



- Small-sized 2-channel monostable transmitter
- 2 contact inputs for pushbuttons
- Input pulse prolongation
- Compact housing
- Dupline® supplied
- Address coding by GAP 1605
- cULus approved

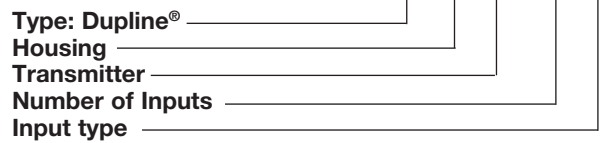
Product Description

Dupline® transmitter designed to be a part of the Dupline® Building Automation concept. It allows a flexible installation concept in existing/traditional light switches. The compact size of the module makes

it possible to fit it in a junction box or directly behind a switch/pushbutton input. On the input, there is a built-in pulse-prolongation which ensures that even short input pulses are transmitted.

Ordering Key

G 8810 2201



Type Selection

Supply	Ordering no.
By Dupline®	G8810 2201

Mode of Operation

The input addresses can be programmed by means of the programming unit GAP 1605, coded by means of the pro- with the Adapt 1605.

General Specifications

Environment	
Degree of protection	IP65
Operating temperature	-40 to +70°C (-40° to +158°F)
Storage temperature	-40 to +70°C (-40° to + 158°F)
Humidity (non-condensing)	20 - 80%
Housing	
Material	Noryl GFN 1, Black
Dimensions (h x w x d)	28 x 14 x 10 mm
Cable	Total diameter: 2.9 mm The cable is 3 x 0.14 mm ²
Approvals	cULus, according to UL60950
CE Marking	Yes
EMC	
Immunity	EN 61000-6-2
- Electrostatic discharge	EN 61000-4-2
- Radiated radiofrequency	EN 61000-4-3
- Burst immunity	EN 61000-4-4
- Surge	EN 61000-4-5
- Conducted radio frequency	EN 61000-4-6
- Power frequency magnetic fields	EN 61000-4-8
- Voltage drops, variations, interruptions	EN 61000-4-11
Emission	EN 61000-6-3
- Conducted and radiated emissions	
- Conducted emissions	CISPR 22 (EN55022), cl. B
- Radiated emissions	CISPR 16-2-1 (EN55016-2-1) CISPR 16-2-3 (EN55016-2-3)

Input Specifications

Inputs	2 contacts
Input current	Min. 15 µA
Input current peak	20 mA
Input voltage drop	≤ 1 V
Input pulse prolongation	min. 272 msec.
Cable length	≤ 0.2 m
Dielectric voltage	
Inputs - Dupline®	None
Response time	≤ 1 pulse train

Supply Specifications

Power Supply	Supplied by Dupline®
Rated operational current	
Unactivated	Typ. < 640 µA @ 128 channels
Activated (all inputs)	Typ. 740 µA @ 128 channels



Wire Connections

Function	Terminal/Cable colour
Bus D+	Brown
Bus D-	Blue
Dupline programming	Black*
Input 1	Black
Input 2	Brown
Com	Blue

Cable marked with black

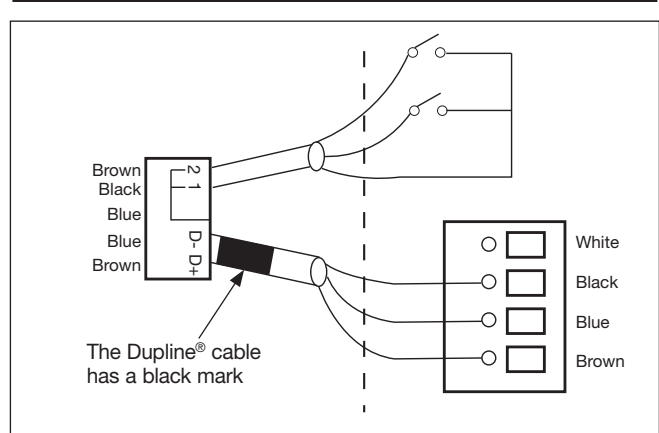
***Note:** To avoid noise in Dupline, the Dupline programming wire must not be connected to D- until after the module has been programmed.

Accessories

Programming adaptor

Adapt 1605

Wiring Diagram



Mouser Electronics

Authorized Distributor

Click to View Pricing, Inventory, Delivery & Lifecycle Information:

[Carlo Gavazzi:](#)

[G88102201](#)