

ALUMINUM ELECTROLYTIC CAPACITORS



UCD Chip Type, Low Impedance



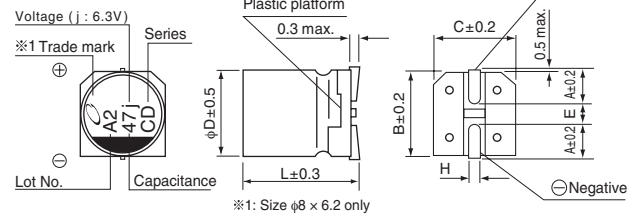
- Chip type, low impedance temperature range up to +105°C.
- Designed for surface mounting on high density PC board.
- Applicable to automatic mounting machine fed with carrier tape.
- Compliant to the RoHS directive (2011/65/EU, (EU)2015/863).
- AEC-Q200 compliant. Please contact us for details.



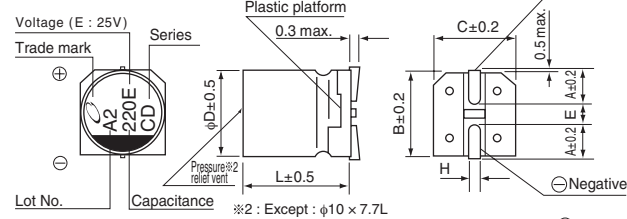
Item	Performance Characteristics											
Category Temperature Range	- 55 to +105°C											
Rated Voltage Range	6.3 to 100V											
Rated Capacitance Range	1 to 3300μF											
Capacitance Tolerance	±20% at 120Hz, 20°C											
Leakage Current ※	After 2 minutes' application of rated voltage at 20°C, leakage current is not more than 0.01 CV or 3 (μA), whichever is greater.											
Tangent of loss angle (tan δ)	Rated voltage (V)	6.3	10	16	25	35	50	63	80	100	Measurement frequency: 120Hz at 20°C	
	tan δ (max.)	0.26	0.19	0.16	0.14	0.12	0.10	0.08	0.08	0.07		
For capacitance of more than 1000μF, add 0.02 for every increase of 1000μF. (φ12.5 to φ18)												
Stability at Low Temperature	Rated voltage (V)	6.3	10	16	25	35	50	63	80	100	Measurement frequency: 120Hz	
	Impedance ratio (max.)	Z(-25°C) / Z(+20°C)	2	2	2	2	2	2	2	2		2
		Z(-40°C) / Z(+20°C)	3	3	3	3	3	3	3	3		3
		Z(-55°C) / Z(+20°C)	4	4	4	3	3	3	3	3		
Endurance	The specifications listed below shall be met when the capacitors are restored to 20°C after the rated voltage is applied at 105°C for the conditions listed at right.											
	Rated Voltage	Size (mm)		~7.7L	10L	φ10×13.5L	13.5L~					
		6.3~50V		2000hrs.	5000hrs.	5000hrs.	5000hrs.					
		63~100V		2000hrs.	2000hrs.	—	5000hrs.					
Capacitance Change	Within ± 30% of the initial capacitance value											
tan δ	200% or less than the initial specified value											
Leakage current	300% or less than the initial specified value for 63V or more											
Leakage current	Less than or equal to the initial specified value											
Shelf Life	After storing the capacitors under no load at 105°C for 1000 hours and then performing voltage treatment based on JIS C 5101-4 clause 4.1 at 20°C, they shall meet the specified values for the endurance characteristics listed above.											
Resistance to soldering heat	The capacitors are kept on a hot plate for 30 seconds, which is maintained at 250°C. The capacitors shall meet the characteristic requirements listed at right when they are removed from the plate and restored to 20°C.											
	Capacitance Change	Within ± 10% of the initial capacitance value										
tan δ	Less than or equal to the initial specified value											
Leakage current	Less than or equal to the initial specified value											
Marking	Black print on the case top.											

Chip Type

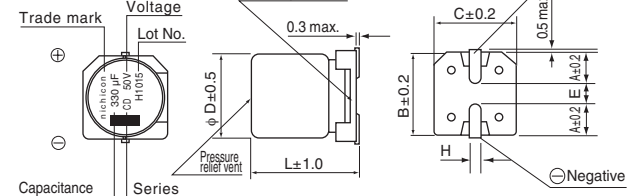
(φ4 to φ8 × 6.2)



(φ8 × 10, φ10)



(φ12.5 to φ18)

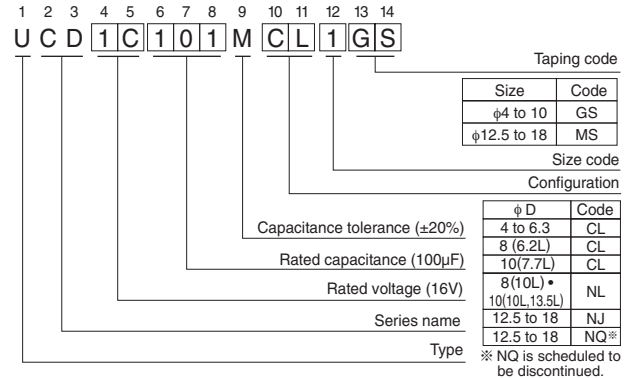


For φ8×10L, φ10×10L, φ12.5×13.5L, φ16×16.5L, and φ18×16.5L, some part numbers can be produced vibration-resistant construction. Please contact us for details.

• Dimension table in next page.

※ I : Leakage Current (μA), C : Rated Capacitance (μF), V : Rated Voltage (V)

Type numbering system (Example : 16V 100μF)



φD×L	4 × 5.8	5 × 5.8	6.3 × 5.8	6.3 × 7.7	8 × 6.2	8 × 10	10 × 7.7	10 × 10
A	1.8	2.1	2.4	2.4	3.3	2.9	3.2	3.2
B	4.3	5.3	6.6	6.6	8.3	8.3	10.3	10.3
C	4.3	5.3	6.6	6.6	8.3	8.3	10.3	10.3
E	1.0	1.3	2.2	2.2	2.3	3.1	4.5	4.5
L	5.8	5.8	5.8	7.7	6.2	10	7.7	10
H	0.5 to 0.8	0.5 to 0.8	0.5 to 0.8	0.5 to 0.8	0.5 to 0.8	0.8 to 1.1	0.8 to 1.1	0.8 to 1.1

φD×L	10 × 13.5	12.5 × 13.5	16 × 16.5	18 × 16.5
A	3.2	5.15	5.65	6.65
B	10.3	13.6	17.1	19.1
C	10.3	13.6	17.1	19.1
E	4.5	(3.3)	(5.8)	(5.8)
L	13.5	13.5	16.5	16.5
H	0.8 to 1.1	1.0 to 1.4	1.0 to 1.4	1.0 to 1.4

Please contact us for the dimensions for NQ.

Voltage

V	6.3	10	16	25	35	50	63	80	100
Code	j	A	C	E	V	H	J	K	2A

• Frequency coefficient of rated ripple current

Frequency	50Hz	120Hz	300Hz	1kHz	10kHz or more
Coefficient	0.35	0.50	0.64	0.83	1.00

CAT.8100L

UCD

■ Dimensions

Rated Voltage (V) (code)	Rated Capacitance (μF)	Case Size φD×L (mm)	tan δ	Leakage Current (μA) (at 20°C after 2 minutes)	Impedance (Ω) max. (20°C/100kHz)	Rated Ripple (mA rms) (105°C/100kHz)	Part Number
6.3 (0J)	22	4×5.8	0.26	3	1.35	90	UCD0J220MCL1GS
	27	4×5.8	0.26	3	1.35	90	UCD0J270MCL1GS
	33	5×5.8	0.26	3	0.70	160	UCD0J330MCL1GS
	47	4×5.8	0.26	3	1.35	90	UCD0J470MCL6GS
	47	5×5.8	0.26	3	0.70	160	UCD0J470MCL1GS
	56	5×5.8	0.26	3.528	0.70	160	UCD0J560MCL1GS
	68	6.3×5.8	0.26	4.284	0.36	240	UCD0J680MCL1GS
	100	5×5.8	0.26	6.3	0.70	160	UCD0J101MCL6GS
	100	6.3×5.8	0.26	6.3	0.36	240	UCD0J101MCL1GS
	150	6.3×5.8	0.26	9.45	0.36	240	UCD0J151MCL1GS
	220	6.3×5.8	0.26	13.86	0.36	240	UCD0J221MCL1GS
	330	6.3×7.7	0.26	20.79	0.32	290	UCD0J331MCL1GS
	330	8×6.2	0.26	20.79	0.26	300	UCD0J331MCL6GS
	470	8×10	0.26	29.61	0.16	600	UCD0J471MNL1GS
	470	10×7.7	0.26	29.61	0.18	600	UCD0J471MCL6GS
	680	8×10	0.26	42.84	0.16	600	UCD0J681MNL1GS
	680	10×7.7	0.26	42.84	0.18	600	UCD0J681MCL6GS
	1000	8×10	0.26	63	0.16	600	UCD0J102MNL1GS
	1500	10×10	0.26	94.5	0.080	850	UCD0J152MNL1GS
2200	10×13.5	0.26	138.6	0.080	950	UCD0J222MNL1GS	
3300	12.5×13.5	0.30	207.9	0.080	1100	UCD0J332MNL1MS	
10 (1A)	22	4×5.8	0.19	3	1.35	90	UCD1A220MCL1GS
	27	5×5.8	0.19	3	0.70	160	UCD1A270MCL1GS
	33	4×5.8	0.19	3.3	1.35	90	UCD1A330MCL6GS
	33	5×5.8	0.19	3.3	0.70	160	UCD1A330MCL1GS
	47	6.3×5.8	0.19	4.7	0.36	240	UCD1A470MCL1GS
	56	6.3×5.8	0.19	5.6	0.36	240	UCD1A560MCL1GS
	68	6.3×5.8	0.19	6.8	0.36	240	UCD1A680MCL1GS
	100	6.3×5.8	0.19	10	0.36	240	UCD1A101MCL1GS
	150	6.3×5.8	0.19	15	0.36	240	UCD1A151MCL1GS
	220	6.3×7.7	0.19	22	0.32	290	UCD1A221MCL1GS
	220	8×6.2	0.19	22	0.26	300	UCD1A221MCL6GS
	330	8×10	0.19	33	0.16	600	UCD1A331MNL1GS
	330	10×7.7	0.19	33	0.18	600	UCD1A331MCL6GS
	470	8×10	0.19	47	0.16	600	UCD1A471MNL1GS
	470	10×7.7	0.19	47	0.18	600	UCD1A471MCL6GS
	680	10×10	0.19	68	0.080	850	UCD1A681MNL1GS
	1000	10×10	0.19	100	0.080	850	UCD1A102MNL1GS
	1500	10×13.5	0.19	150	0.080	950	UCD1A152MNL1GS
	2200	12.5×13.5	0.21	220	0.080	1100	UCD1A222MNL1MS
16 (1C)	10	4×5.8	0.16	3	1.35	90	UCD1C100MCL1GS
	15	4×5.8	0.16	3	1.35	90	UCD1C150MCL1GS
	22	4×5.8	0.16	3.52	1.35	90	UCD1C220MCL6GS
	22	5×5.8	0.16	3.52	0.70	160	UCD1C220MCL1GS
	27	5×5.8	0.16	4.32	0.70	160	UCD1C270MCL1GS
	33	6.3×5.8	0.16	5.28	0.36	240	UCD1C330MCL1GS
	47	5×5.8	0.16	7.52	0.70	160	UCD1C470MCL6GS
	47	6.3×5.8	0.16	7.52	0.36	240	UCD1C470MCL1GS
	56	6.3×5.8	0.16	8.96	0.36	240	UCD1C560MCL1GS
	68	6.3×5.8	0.16	10.88	0.36	240	UCD1C680MCL1GS
	100	6.3×5.8	0.16	16	0.36	240	UCD1C101MCL1GS

UCD

■ Dimensions

Rated Voltage (V) (code)	Rated Capacitance (μF)	Case Size φD×L (mm)	tan δ	Leakage Current (μA) (at 20°C after 2 minutes)	Impedance (Ω) max. (20°C/100kHz)	Rated Ripple (mArms) (105°C/100kHz)	Part Number
16 (1C)	150	6.3×7.7	0.16	24	0.32	290	UCD1C151MCL1GS
	220	6.3×7.7	0.16	35.2	0.32	290	UCD1C221MCL1GS
	220	8×6.2	0.16	35.2	0.26	300	UCD1C221MCL6GS
	330	8×10	0.16	52.8	0.16	600	UCD1C331MNL1GS
	330	10×7.7	0.16	52.8	0.18	600	UCD1C331MCL6GS
	470	8×10	0.16	75.2	0.16	600	UCD1C471MNL1GS
	470	10×7.7	0.16	75.2	0.18	600	UCD1C471MCL6GS
	680	10×10	0.16	108.8	0.080	850	UCD1C681MNL1GS
	1000	10×13.5	0.16	160	0.080	950	UCD1C102MNL1GS
	1500	12.5×13.5	0.16	240	0.080	1100	UCD1C152MNJ1MS
25 (1E)	10	4×5.8	0.14	3	1.35	90	UCD1E100MCL1GS
	15	5×5.8	0.14	3.75	0.70	160	UCD1E150MCL1GS
	22	5×5.8	0.14	5.5	0.70	160	UCD1E220MCL1GS
	27	6.3×5.8	0.14	6.75	0.36	240	UCD1E270MCL1GS
	33	5×5.8	0.14	8.25	0.70	160	UCD1E330MCL6GS
	33	6.3×5.8	0.14	8.25	0.36	240	UCD1E330MCL1GS
	47	6.3×5.8	0.14	11.75	0.36	240	UCD1E470MCL1GS
	56	6.3×5.8	0.14	14	0.36	240	UCD1E560MCL1GS
	68	6.3×5.8	0.14	17	0.36	240	UCD1E680MCL1GS
	100	6.3×7.7	0.14	25	0.32	290	UCD1E101MCL1GS
	100	8×6.2	0.14	25	0.26	300	UCD1E101MCL6GS
	150	8×10	0.14	37.5	0.16	600	UCD1E151MNL1GS
	150	10×7.7	0.14	37.5	0.18	600	UCD1E151MCL6GS
	220	8×10	0.14	55	0.16	600	UCD1E221MNL1GS
	220	10×7.7	0.14	55	0.18	600	UCD1E221MCL6GS
	330	8×10	0.14	82.5	0.16	600	UCD1E331MNL1GS
	470	10×10	0.14	117.5	0.080	850	UCD1E471MNL1GS
	680	10×13.5	0.14	170	0.080	950	UCD1E681MNL1GS
1000	12.5×13.5	0.14	250	0.080	1100	UCD1E102MNJ1MS	
	2200	16×16.5	0.16	550	0.035	1800	UCD1E222MNJ1MS
35 (1V)	4.7	4×5.8	0.12	3	1.35	90	UCD1V47R7MCL1GS
	10	4×5.8	0.12	3.5	1.35	90	UCD1V100MCL6GS
	10	5×5.8	0.12	3.5	0.70	160	UCD1V100MCL1GS
	22	5×5.8	0.12	7.7	0.70	160	UCD1V220MCL1GS
	33	6.3×5.8	0.12	11.55	0.36	240	UCD1V330MCL1GS
	47	6.3×5.8	0.12	16.45	0.36	240	UCD1V470MCL1GS
	68	6.3×7.7	0.12	23.8	0.32	290	UCD1V680MCL1GS
	100	6.3×7.7	0.12	35	0.32	290	UCD1V101MCL6GS
	100	8×10	0.12	35	0.16	600	UCD1V101MNL1GS
	150	8×10	0.12	52.5	0.16	600	UCD1V151MNL1GS
	150	10×7.7	0.12	52.5	0.18	600	UCD1V151MCL6GS
	220	8×10	0.12	77	0.16	600	UCD1V221MNL1GS
	220	10×7.7	0.12	77	0.18	600	UCD1V221MCL6GS
	330	10×10	0.12	115.5	0.080	850	UCD1V331MNL1GS
	470	10×13.5	0.12	164.5	0.080	950	UCD1V471MNL6GS
	470	12.5×13.5	0.12	164.5	0.080	1100	UCD1V471MNJ1MS
	680	12.5×13.5	0.12	238	0.080	1100	UCD1V681MNJ1MS
1000	16×16.5	0.12	350	0.035	1800	UCD1V102MNJ1MS	
50 (1H)	1	4×5.8	0.10	3	2.70	60	UCD1H010MCL1GS
	2.2	4×5.8	0.10	3	2.70	60	UCD1H2R2MCL1GS
	3.3	4×5.8	0.10	3	2.70	60	UCD1H3R3MCL1GS

UCD

■ Dimensions

Rated Voltage (V) (code)	Rated Capacitance (μF)	Case Size φD×L (mm)	tan δ	Leakage Current (μA) (at 20°C after 2 minutes)	Impedance (Ω) max. (20°C/100kHz)	Rated Ripple (mA rms) (105°C/100kHz)	Part Number
50 (1H)	4.7	4×5.8	0.10	3	2.70	60	UCD1H4R7MCL1GS
	10	5×5.8	0.10	5	1.50	90	UCD1H100MCL6GS
	10	6.3×5.8	0.10	5	0.86	170	UCD1H100MCL1GS
	22	6.3×5.8	0.10	11	0.86	170	UCD1H220MCL1GS
	33	6.3×7.7	0.10	16.5	0.66	195	UCD1H330MCL1GS
	33	8×6.2	0.10	16.5	0.63	200	UCD1H330MCL6GS
	47	6.3×7.7	0.10	23.5	0.66	195	UCD1H470MCL1GS
	47	8×6.2	0.10	23.5	0.63	200	UCD1H470MCL6GS
	100	8×10	0.10	50	0.32	350	UCD1H101MNL1GS
	100	10×7.7	0.10	50	0.36	330	UCD1H101MCL6GS
	150	10×10	0.10	75	0.16	700	UCD1H151MNL1GS
	220	10×10	0.10	110	0.16	700	UCD1H221MNL1GS
	330	10×13.5	0.10	165	0.14	800	UCD1H331MNL6GS
	330	12.5×13.5	0.10	165	0.12	900	UCD1H331MNL1MS
	390	12.5×13.5	0.10	195	0.12	900	UCD1H391MNL1MS
470	16×16.5	0.10	235	0.073	1610	UCD1H471MNL1MS	
680	16×16.5	0.10	340	0.073	1610	UCD1H681MNL1MS	
63 (1J)	4.7	5×5.8	0.08	3	3.00	50	UCD1J4R7MCL1GS
	10	6.3×5.8	0.08	6.3	1.50	80	UCD1J100MCL1GS
	22	6.3×7.7	0.08	13.86	1.20	120	UCD1J220MCL1GS
	22	8×6.2	0.08	13.86	1.20	120	UCD1J220MCL6GS
	33	8×10	0.08	20.79	0.65	250	UCD1J330MNL1GS
	47	8×10	0.08	29.61	0.65	250	UCD1J470MNL1GS
	68	10×10	0.08	42.84	0.35	400	UCD1J680MNL1GS
	100	10×10	0.08	63	0.35	400	UCD1J101MNL1GS
	150	12.5×13.5	0.08	94.5	0.16	800	UCD1J151MNL1MS
	220	12.5×13.5	0.08	138.6	0.16	800	UCD1J221MNL1MS
	470	16×16.5	0.08	296.1	0.082	1410	UCD1J471MNL1MS
680	18×16.5	0.08	428.4	0.080	1690	UCD1J681MNL1MS	
80 (1K)	3.3	5×5.8	0.08	3	5.00	25	UCD1K3R3MCL1GS
	4.7	6.3×5.8	0.08	3.76	3.00	40	UCD1K4R7MCL1GS
	10	6.3×7.7	0.08	8	2.40	60	UCD1K100MCL1GS
	10	8×6.2	0.08	8	2.40	60	UCD1K100MCL6GS
	22	8×10	0.08	17.6	1.30	130	UCD1K220MNL1GS
	33	8×10	0.08	26.4	1.30	130	UCD1K330MNL1GS
	47	10×10	0.08	37.6	0.70	200	UCD1K470MNL1GS
	68	12.5×13.5	0.08	54.4	0.32	500	UCD1K680MNL1MS
	100	12.5×13.5	0.08	80	0.32	500	UCD1K101MNL1MS
	150	12.5×13.5	0.08	120	0.32	500	UCD1K151MNL1MS
	330	16×16.5	0.08	264	0.17	793	UCD1K331MNL1MS
	470	18×16.5	0.08	376	0.15	917	UCD1K471MNL1MS
100 (2A)	22	8×10	0.07	22	1.30	130	UCD2A220MNL1GS
	33	10×10	0.07	33	0.70	200	UCD2A330MNL1GS
	47	12.5×13.5	0.07	47	0.32	500	UCD2A470MNL1MS
	68	12.5×13.5	0.07	68	0.32	500	UCD2A680MNL1MS
	100	16×16.5	0.07	100	0.17	793	UCD2A101MNL1MS
	150	16×16.5	0.07	150	0.17	793	UCD2A151MNL1MS
	220	18×16.5	0.07	220	0.15	917	UCD2A221MNL1MS
	330	18×16.5	0.07	330	0.15	917	UCD2A331MNL1MS

• For taping specifications, recommended land size/soldering by reflow and minimum order quantity, please refer to the Guidelines for Aluminum Electrolytic Capacitors.

Mouser Electronics

Authorized Distributor

Click to View Pricing, Inventory, Delivery & Lifecycle Information:

Nichicon:

[UCD0J101MCL6GS](#) [UCD0J331MCL6GS](#) [UCD0J470MCL6GS](#) [UCD1A221MCL6GS](#) [UCD1A330MCL6GS](#)
[UCD1C220MCL6GS](#) [UCD1C221MCL6GS](#) [UCD1C470MCL6GS](#) [UCD1E101MCL6GS](#) [UCD1E330MCL6GS](#)
[UCD1H100MCL6GS](#) [UCD1H330MCL6GS](#) [UCD1H470MCL6GS](#) [UCD1J220MCL6GS](#) [UCD1K100MCL6GS](#)
[UCD1V100MCL6GS](#) [UCD1V101MCL6GS](#) [UCD0J101MCL1GS](#) [UCD0J102MNL1GS](#) [UCD0J152MNL1GS](#)
[UCD0J220MCL1GS](#) [UCD0J221MCL1GS](#) [UCD0J331MCL1GS](#) [UCD0J470MCL1GS](#) [UCD0J471MNL1GS](#)
[UCD1A102MNL1GS](#) [UCD1A151MCL1GS](#) [UCD1A220MCL1GS](#) [UCD1A221MCL1GS](#) [UCD1A330MCL1GS](#)
[UCD1A331MNL1GS](#) [UCD1A471MNL1GS](#) [UCD1A681MNL1GS](#) [UCD1C100MCL1GS](#) [UCD1C101MCL1GS](#)
[UCD1C151MCL1GS](#) [UCD1C220MCL1GS](#) [UCD1C221MCL1GS](#) [UCD1C331MNL1GS](#) [UCD1C470MCL1GS](#)
[UCD1C471MNL1GS](#) [UCD1C681MNL1GS](#) [UCD1E100MCL1GS](#) [UCD1E101MCL1GS](#) [UCD1E151MNL1GS](#)
[UCD1E220MCL1GS](#) [UCD1E221MNL1GS](#) [UCD1E330MCL1GS](#) [UCD1E331MNL1GS](#) [UCD1E470MCL1GS](#)
[UCD1E471MNL1GS](#) [UCD1E680MCL1GS](#) [UCD1H100MCL1GS](#) [UCD1H101MNL1GS](#) [UCD1H151MNL1GS](#)
[UCD1H220MCL1GS](#) [UCD1H221MNL1GS](#) [UCD1H330MCL1GS](#) [UCD1H4R7MCL1GS](#) [UCD1H470MCL1GS](#)
[UCD1J100MCL1GS](#) [UCD1J101MNL1GS](#) [UCD1J220MCL1GS](#) [UCD1J330MNL1GS](#) [UCD1J4R7MCL1GS](#)
[UCD1J470MNL1GS](#) [UCD1J680MNL1GS](#) [UCD1K100MCL1GS](#) [UCD1K220MNL1GS](#) [UCD1K3R3MCL1GS](#)
[UCD1K330MNL1GS](#) [UCD1K4R7MCL1GS](#) [UCD1K470MNL1GS](#) [UCD1V100MCL1GS](#) [UCD1V101MNL1GS](#)
[UCD1V151MNL1GS](#) [UCD1V220MCL1GS](#) [UCD1V221MNL1GS](#) [UCD1V330MCL1GS](#) [UCD1V331MNL1GS](#)
[UCD1V4R7MCL1GS](#) [UCD1V470MCL1GS](#) [UCD1V471MNQ1MS](#) [UCD1V680MCL1GS](#) [UCD1V681MNQ1MS](#)
[UCD2A101MNQ1MS](#) [UCD2A151MNQ1MS](#) [UCD2A220MNL1GS](#) [UCD2A221MNQ1MS](#) [UCD2A330MNL1GS](#)
[UCD2A331MNQ1MS](#) [UCD2A470MNQ1MS](#) [UCD2A680MNQ1MS](#) [UCD1H681MNQ1MS](#) [UCD1E102MNQ1MS](#)
[UCD1E222MNQ1MS](#) [UCD1H331MNQ1MS](#) [UCD1H471MNQ1MS](#) [UCD1J471MNQ1MS](#) [UCD1J221MNQ1MS](#)