

ALUMINUM ELECTROLYTIC CAPACITORS



Premium Grade Type, For Audio Equipment



- Premium grade “nichicon MUSE” acoustic series.
- Ideally suited for first class audio equipment where qualitative and quantitative comfortableness is required.
- Compliant to the RoHS directive (2011/65/EU,(EU)2015/863).

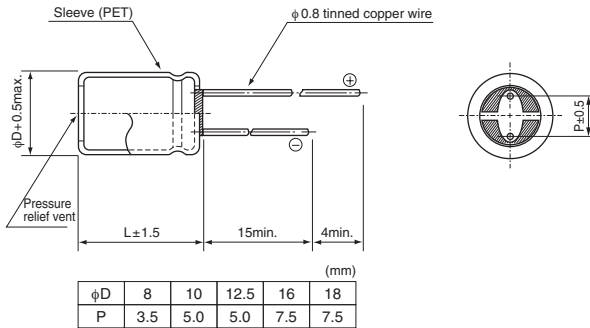


Specifications

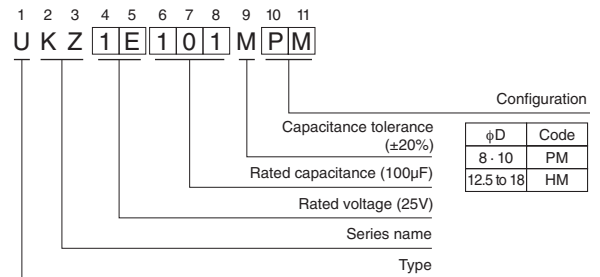
| Item | Performance Characteristics | | | | | | | | | |
|-------------------------------|--|--|--|------|--------------------|--|-------|---|-----------------|---|
| Category Temperature Range | -40 to +85°C | | | | | | | | | |
| Rated Voltage Range | 25 to 100V | | | | | | | | | |
| Rated Capacitance Range | 10 to 1000µF | | | | | | | | | |
| Capacitance Tolerance | ±20% at 120Hz, 20°C | | | | | | | | | |
| Leakage Current ※ | After 1 minute's application of rated voltage at 20°C, leakage current is 0.01CV or less. | | | | | | | | | |
| Tangent of loss angle (tan δ) | Measurement frequency : 120Hz at 20°C | | | | | | | | | |
| | Rated voltage (V) | 25 | 50 | 100 | | | | | | |
| | tan δ (max.) | 0.12 | 0.08 | 0.07 | | | | | | |
| Stability at Low Temperature | Measurement frequency : 120Hz | | | | | | | | | |
| | Rated voltage (V) | 25 | 50 | 100 | | | | | | |
| | Impedance ratio (max.) | Z(-25°C) / Z(+20°C) | 2 | 2 | | | | | | |
| | | Z(-40°C) / Z(+20°C) | 4 | 3 | | | | | | |
| Endurance | The specifications listed at right shall be met when the capacitors are restored to 20°C after the rated voltage is applied for 1000 hours at 85°C. | | <table border="1"> <tr> <td>Capacitance change</td> <td>Within ±20% of the initial capacitance value</td> </tr> <tr> <td>tan δ</td> <td>150% or less than the initial specified value</td> </tr> <tr> <td>Leakage Current</td> <td>Less than or equal to the initial specified value</td> </tr> </table> | | Capacitance change | Within ±20% of the initial capacitance value | tan δ | 150% or less than the initial specified value | Leakage Current | Less than or equal to the initial specified value |
| | Capacitance change | Within ±20% of the initial capacitance value | | | | | | | | |
| tan δ | 150% or less than the initial specified value | | | | | | | | | |
| Leakage Current | Less than or equal to the initial specified value | | | | | | | | | |
| Shelf Life | After storing the capacitors under no load at 85°C for 1000 hours and then performing voltage treatment based on JIS C 5101-4 clause 4.1 at 20°C, they shall meet the specified values for the endurance characteristics listed above. | | | | | | | | | |
| Marking | Printed with gold color letter on black sleeve. | | | | | | | | | |

※ I : Leakage Current (µA), C : Rated Capacitance (µF), V : Rated Voltage (V)

Radial Lead Type



Type numbering system (Example : 25V 100µF)



- Please refer to the Guidelines for Aluminum Electrolytic Capacitors for end seal configuration information.

● Dimension table in next page.

UKZ

■ Dimensions

| Rated Voltage (V) (code) | Rated Capacitance (μ F) | Case Size ϕ D×L (mm) | $\tan \delta$ | Leakage Current (μ A) (at 20°C after 1 minute) | Part Number |
|--------------------------------|------------------------------------|------------------------------|---------------|--|-------------|
| 25 (1E) | 33 | 8×11.5 | 0.12 | 8.25 | UKZ1E330MPM |
| | 47 | 10×12.5 | 0.12 | 11.75 | UKZ1E470MPM |
| | 100 | 10×16 | 0.12 | 25 | UKZ1E101MPM |
| | 220 | 12.5×20 | 0.12 | 55 | UKZ1E221MHH |
| | 330 | 12.5×25 | 0.12 | 82.5 | UKZ1E331MHH |
| | 470 | 16×25 | 0.12 | 117.5 | UKZ1E471MHH |
| | 1000 | 16×35.5 | 0.12 | 250 | UKZ1E102MHH |
| 50 (1H) | 22 | 8×11.5 | 0.08 | 11 | UKZ1H220MPM |
| | 33 | 10×12.5 | 0.08 | 16.5 | UKZ1H330MPM |
| | 47 | 10×16 | 0.08 | 23.5 | UKZ1H470MPM |
| | 100 | 12.5×20 | 0.08 | 50 | UKZ1H101MHH |
| | 220 | 16×25 | 0.08 | 110 | UKZ1H221MHH |
| | 330 | 16×30.5 | 0.08 | 165 | UKZ1H331MHH |
| | 470 | 16×35.5 | 0.08 | 235 | UKZ1H471MHH |
| | 1000 | 18×40 | 0.08 | 500 | UKZ1H102MHH |
| 100 (2A) | 10 | 8×11.5 | 0.07 | 10 | UKZ2A100MPM |
| | 22 | 10×16 | 0.07 | 22 | UKZ2A220MPM |
| | 33 | 10×20 | 0.07 | 33 | UKZ2A330MPM |
| | 47 | 12.5×20 | 0.07 | 47 | UKZ2A470MHH |
| | 100 | 16×25 | 0.07 | 100 | UKZ2A101MHH |
| | 220 | 16×35.5 | 0.07 | 220 | UKZ2A221MHH |
| | 330 | 18×35.5 | 0.07 | 330 | UKZ2A331MHH |

For cut leads, formed leads or taped parts, please add the appropriate code after the size code (12th digit).
If there is no size code in the part number, please add size code "1" and then add the appropriate code.

- For formed lead or taped product specifications and minimum order quantity, please refer to the Guidelines for Aluminum Electrolytic Capacitors.

Mouser Electronics

Authorized Distributor

Click to View Pricing, Inventory, Delivery & Lifecycle Information:

Nichicon:

[UKZ1E101MPM](#) [UKZ1E102MHM](#) [UKZ1E221MHM](#) [UKZ1E330MPM](#) [UKZ1E331MHM](#) [UKZ1E470MPM](#)
[UKZ1E471MHM](#) [UKZ1H101MHM](#) [UKZ1H102MHM](#) [UKZ1H221MHM](#) [UKZ1H330MPM](#) [UKZ1H331MHM](#)
[UKZ1H470MPM](#) [UKZ1H471MHM](#) [UKZ2A100MPM](#) [UKZ2A101MHM](#) [UKZ2A220MPM](#) [UKZ2A221MHM](#)
[UKZ2A330MPM](#) [UKZ2A331MHM](#) [UKZ2A470MHM](#) [UKZ1H220MPM](#) [UKZ1E330MPM1TD](#) [UKZ1E101MPM1TD](#)
[UKZ1H101MHM1TO](#) [UKZ1H470MPM1TD](#) [UKZ2A100MPM1TD](#) [UKZ1E470MPM1TD](#) [UKZ2A100MPM1TA](#)
[UKZ2A101MHM1TN](#) [UKZ1E221MHM1TO](#) [UKZ1E330MPM1TA](#) [UKZ1E331MHM1TO](#) [UKZ1E471MHM1TN](#)
[UKZ1H221MHM1TN](#) [UKZ1H330MPM1TD](#) [UKZ2A220MPM1TD](#) [UKZ2A330MPM1TD](#) [UKZ2A470MHM1TO](#)
[UKZ1H220MPM1TD](#) [UKZ1H220MPM1TA](#)