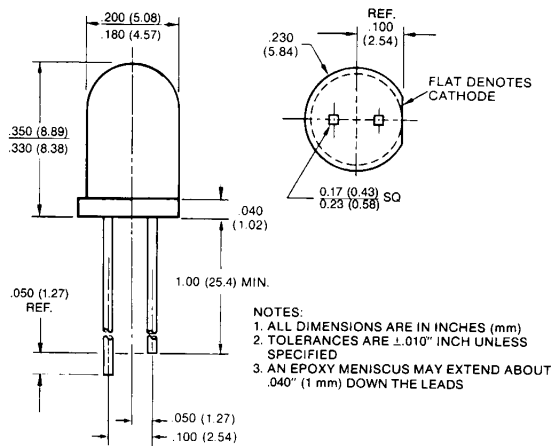


ORANGE MV5152 MV6152
YELLOW MV5352 MV6352
HIGH EFFICIENCY GREEN MV5452 MV64520 MV64521
HIGH EFFICIENCY RED MV5752 MV6752

PACKAGE DIMENSIONS

MV5X52—LEAD CUT CATHODE LONG
MV6X52X—LEAD CUT ANODE LONG



C1062L

DESCRIPTION

These Clear Tinted solid state indicators offer high brightness and color availability. The High Efficiency Red and Yellow devices are made with gallium arsenide phosphide on gallium phosphide. The High Efficiency Green units are made with gallium phosphide on gallium phosphide. All devices are available with cathode long as MV5X5X, or with anode long as MV6X5X.

FEATURES

- High on-axis light output
- High efficiency GaP light sources
- Versatile mounting on PC board or panel
- Snap in grommet MP52 available as separate order item
- Long life—solid state reliability
- Low power requirements
- Compact, rugged, lightweight

PHYSICAL CHARACTERISTICS

CATHODE LONG	ANODE LONG	SOURCE COLOR	LENS TYPE	LENS EFFECT	APPLICATION
MV5152	MV6152	High Efficiency Red	Amber Clear	Point Source	Backlighting
MV5352	MV6352	Yellow	Yellow Clear	Point Source	Backlighting
MV5452	MV64520	High Efficiency Green	Green Clear	Point Source	Backlighting
—	MV64521	High Efficiency Green	Green Clear	Point Source	Backlighting
MV5752	MV6752	High Efficiency Red	Red Clear	Point Source	Backlighting

ELECTRO-OPTICAL CHARACTERISTICS (25°C Free Air Temperature)							
PARAMETER	TEST COND.	UNITS	MV6152 MV5152	MV6352 MV5352	MV64520 MV5452	MV64521	MV6752 MV5752
Forward voltage (V _f)							
typ.	I _f =20 mA	V	2.0	2.1	2.2	2.2	2.0
max.	I _f =20 mA	V	3.0	3.0	3.0	3.0	3.0
Luminous Intensity							
min.	I _f =20 mA	mcd	17.0	10.0	12.0	30.0	17.0
typ.	I _f =20 mA	mcd	100.0	90.0	25.0	100.0	100.0
Peak wavelength	I _f =20 mA	nm	635	585	562	562	635
Spectral line half width	I _f =20 mA	nm	45	35	30	30	45
Capacitance typ.	V=0, f=1 MHz	pF	45	45	20	20	45
Reverse voltage (V _r) min.	I _r =100 μA	V	5	5	5	5	5
Reverse current (I _r) max.	V _r =5.0 V	μA	100	100	100	100	100
Viewing angle (total)	See Fig. 4	degrees	28	28	35	35	28

ABSOLUTE MAXIMUM RATINGS (T _a =25°C Unless Otherwise Specified)			
	YELLOW	RED AND H. E. RED	GREEN
Power dissipation	85 mW	120 mW	120 mW
Derate linearly from 25°C (MVX452/4A from 50°C)	1.6 mW/°C	1.6 mW/°C	1.6 mW/°C
Storage and operating temperatures	-55°C to +100°C	-55°C to +100°C	-55°C to +100°C
Lead soldering time at 260° C (See Note 2)	5 sec.	5 sec.	5 sec.
Continuous forward current	20 mA	35 mA	30 mA
Peak forward current (1 μsec pulse, 0.3% duty cycle)	60 mA	1.0 A	90 mA
Reverse voltage	5.0 V	5.0 V	5.0 V

NOTES
1. The axis of spatial distribution are typically within a 10° cone within reference to the central axis of the device.
2. The leads of the device were immersed in molten solder, at 260°C, to a point 1/16 inch (1.6 mm) from the body of the device per M1-S-750, with a dwell time of 5 seconds.

TYPICAL ELECTRO-OPTICAL CHARACTERISTIC CURVES
(25°C Free Air Temperature Unless Otherwise Specified)

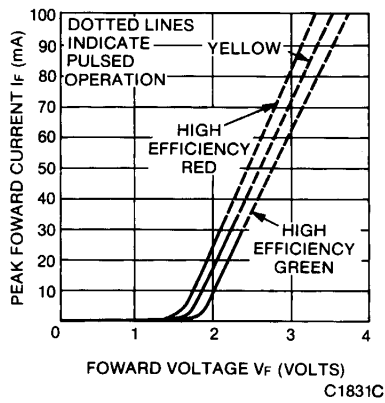


Fig. 1. Forward Current vs. Forward Voltage

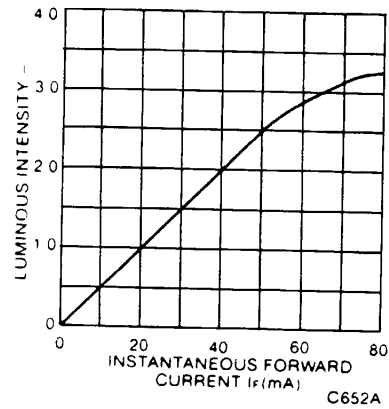


Fig. 2. Luminous Intensity vs. Forward Current

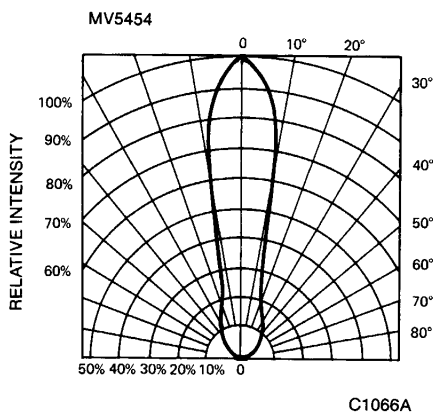


Fig. 3. Spatial Distribution (Note 1)

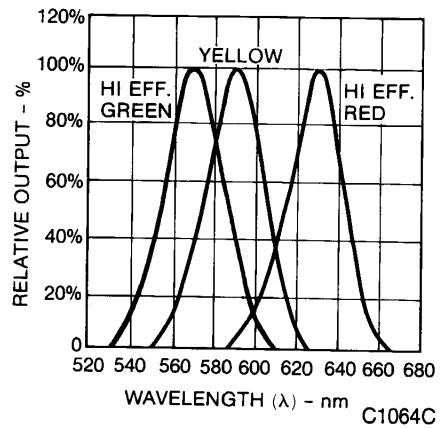


Fig. 4. Spectral Distribution



CLEAR LENS T-1 $\frac{3}{4}$ SOLID STATE LAMPS

DISCLAIMER

FAIRCHILD SEMICONDUCTOR RESERVES THE RIGHT TO MAKE CHANGES WITHOUT FURTHER NOTICE TO ANY PRODUCTS HEREIN TO IMPROVE RELIABILITY, FUNCTION OR DESIGN. FAIRCHILD DOES NOT ASSUME ANY LIABILITY ARISING OUT OF THE APPLICATION OR USE OF ANY PRODUCT OR CIRCUIT DESCRIBED HEREIN; NEITHER DOES IT CONVEY ANY LICENSE UNDER ITS PATENT RIGHTS, NOR THE RIGHTS OF OTHERS.

LIFE SUPPORT POLICY

FAIRCHILD'S PRODUCTS ARE NOT AUTHORIZED FOR USE AS CRITICAL COMPONENTS IN LIFE SUPPORT DEVICES OR SYSTEMS WITHOUT THE EXPRESS WRITTEN APPROVAL OF THE PRESIDENT OF FAIRCHILD SEMICONDUCTOR CORPORATION. As used herein:

1. Life support devices or systems are devices or systems which, (a) are intended for surgical implant into the body, or (b) support or sustain life, and (c) whose failure to perform when properly used in accordance with instructions for use provided in the labeling, can be reasonably expected to result in a significant injury of the user.
2. A critical component in any component of a life support device or system whose failure to perform can be reasonably expected to cause the failure of the life support device or system, or to affect its safety or effectiveness.