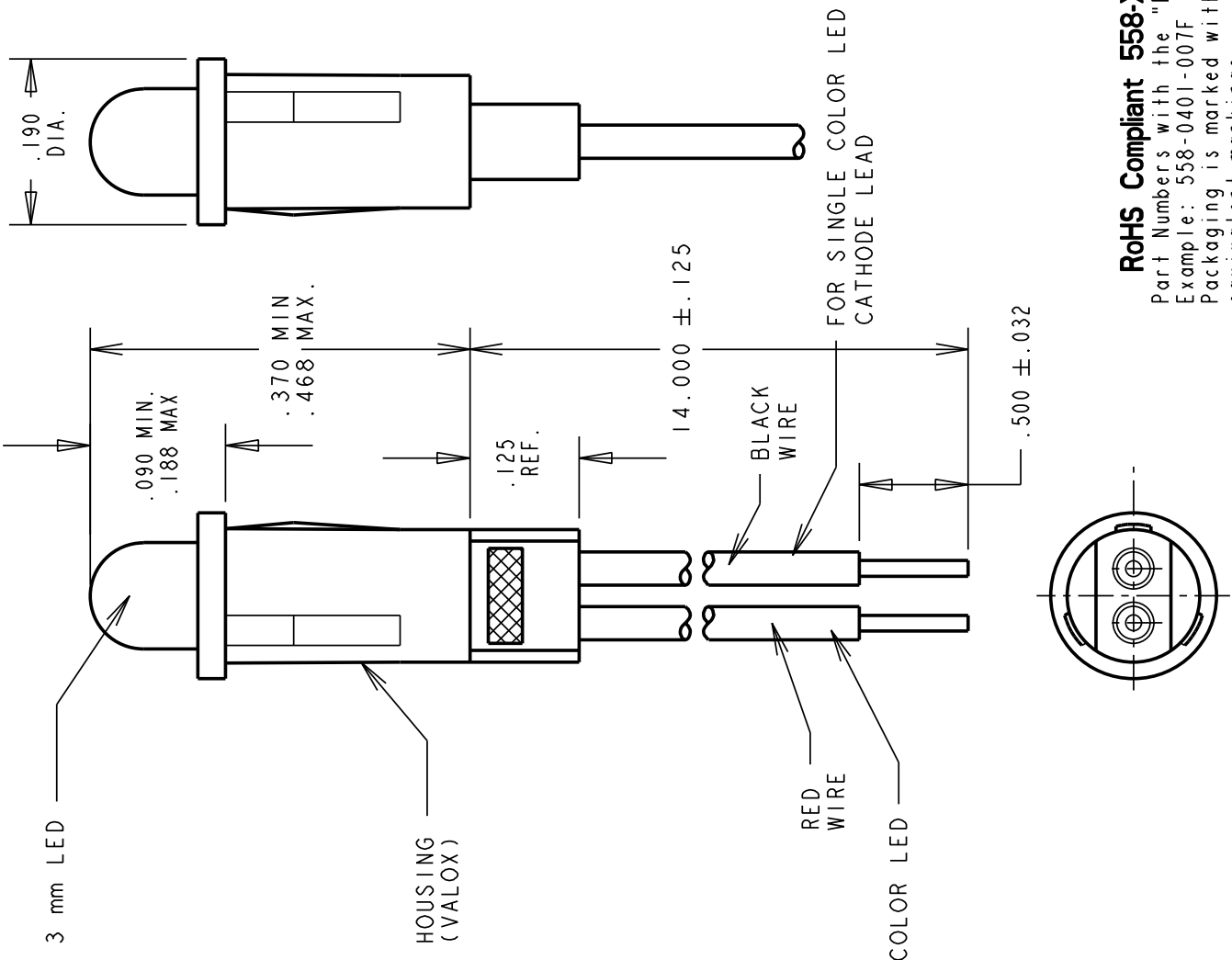


REV	ECN NO	REVISIONS	DRN	CKD	APP	DATE
A		NEW RELEASE	TWC			

ASSEMBLY NO.	Vf (V)		If (mA)		LED EPOXY COLOR	LED CHIP	PEAK WAVELENGTH λ_p (nm)	LUM. INT. I_f (mcd)	
	TYP.	MAX.	TYP.	MAX.				MIN.	TYP.
558-0101-007F	2.0	3.0	10*	20	RED DIFF.	GaAs	650		10.0
558-0102-007F	5.0		10	15	RED DIFF.	GaAsP/GaP	635		4.0
558-0201-007F	2.1	3.0	10*	25	GREEN DIFF.	GaP	563		16.0
558-0202-007F	5.0		12	15	GREEN DIFF.	GaP	565		8.0
558-0301-007F	2.1	3.0	10*	20	YELLOW DIFF.	GaAsP/GaP	585		6.3
558-0302-007F	5.0		10	15	YELLOW DIFF.	GaAsP/GaP	583		8.0
558-0401-007F	1.5	2.2	10*	25	ORANGE DIFF.	GaAsP/GaP	600		6.5
558-0501-007F	2.1	2.8	20*	40	WATER CLEAR	GaP	565		70.0
558-0601-007F	1.9	2.4	20*	50	WATER CLEAR	AlInGaP	594		200.0
558-0701-007F	1.8	2.4	20*	40	WATER CLEAR	AlGaAs	660		170.0
558-0803-007F	3.5	4.2	10*	20	WHITE DIFF.	GaN(BLUE)	428	6.3	13.0
558-1101-007F	1.8	2.2	2**	7	RED DIFF.	GaAsP/GaP	635		1.8
558-1201-007F	1.9	2.7	2**	7	YELLOW DIFF.	GaAsP/GaP	583		1.6
558-1301-007F	1.8	2.2	2**	7	GREEN DIFF.	GaP	565		1.6
558-1501-007F	2.1	2.8	10*	30	GREEN TINTED NON-DIFF.	GaP	565		70.0
558-1601-007F	2.1	2.8	10*	20	YELLOW TINTED NON-DIFF.	GaAsP/GaP	585		19.0
558-1701-007F	1.8	2.4	20*	40	RED TINTED NON-DIFF.	AlGaAs	660		135.0
558-1801-007F	1.8	2.4	20*	40	RED DIFF.	AlGaAs	660		60.0
558-6003-007F	3.5	4.0	20*	30	WATER CLEAR	GaN(BLUE)	464		460
558-6403-007F	3.6	4.0	20*	30	WATER CLEAR	GaN(WHITE)	SEE X,Y COOR.		850



X, Y COLOR COORDINATES	
PART NUMBER	
558-6403-007F	X .31 Y .32

RoHS Compliant 558-XXXX-007F Panel Mount Indicator
 Part Numbers with the "F" suffix ending are RoHS Compliant.
 Example: 558-0401-007F
 Packaging is marked with "RoHS Compliant" label or equivalent markings.

- NOTES:
- * REQUIRES EXTERNAL RESISTOR.
 - ** REQUIRES EXTERNAL RESISTOR, MAX. FORWARD D.C. CURRENT 7 mA.
 - LEAD WIRES: AWG #26 PRE-TINNED, STRANDED.
 - RECOMMENDED MOUNTING HOLE: .155/.158 DIA. ON PANELS .031 THRU .062 THICK.
 - THIS ASSEMBLY CONTAINS ELECTROSTATIC DISCHARGE SENSITIVE DEVICES (ESDS). MAINTAIN ALL PRECAUTIONARY MEASURES DURING ASSEMBLY, HANDLING AND STORAGE IN ACCORDANCE WITH IPC-A-610.
 - DIAL LIGHT PART NUMBERS: 558-XXXX-007F.



THIS DRAWING AND THE CONTENTS HEREIN ARE CONFIDENTIAL AND THE SOLE PROPERTY OF DIALIGHT. REPRODUCTION OF THIS DRAWING OR CONSTRUCTION OF ANY PARTS WITHIN THIS DRAWING ARE FORBIDDEN WITHOUT THE WRITTEN CONSENT OF DIALIGHT.	
SCALE: DRAWING SCALE	REV
ALL DIM'S IN: INCHES (MM)	C-17393
TOLERANCES: UNLESS OTHERWISE SPECIFIED	
FRACTIONS: ±1/64	
DECIMALS (.XX): ±.01	
DECIMALS (.XXX): ±.005	
DECIMALS (.XXXX): ±.0005	
ANGLES: ±1°	
DRAWING NUMBER	
TITLE: .156" MOUNTING HOLE, SNAP-IN PMI, RoHS COMPLIANT	
MATERIAL	
FINISH:	
FSCM 83330	SHEET 1 OF 1 FAMILY TABLE:
Dialight 1501 ROUTE 34 SOUTH FARMINGDALE, NJ 07727	