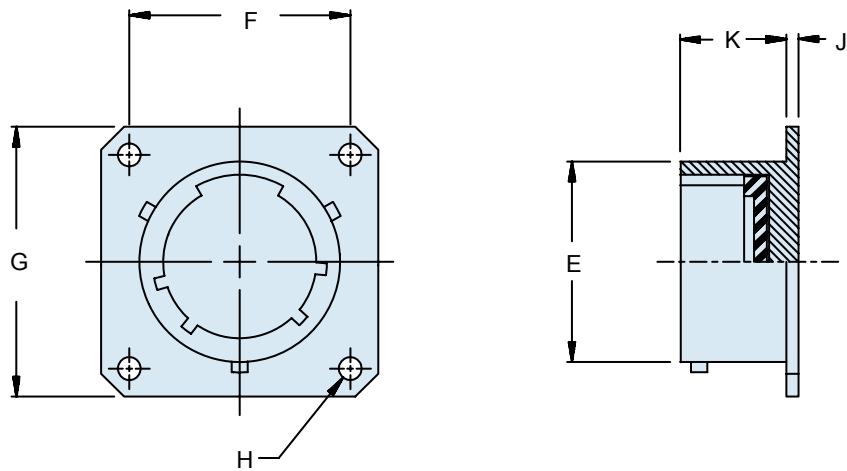
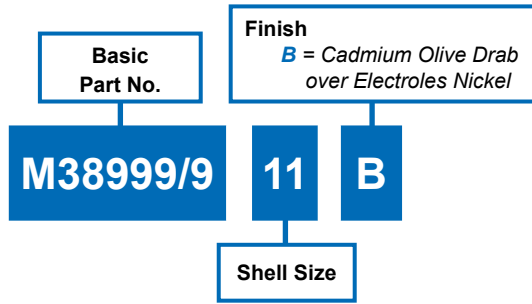


# M38999/9 Dummy Storage Receptacle Bayonet Coupling



Dummy Storage Receptacle

**MATING CONNECTOR**  
MIL-DTL-38999 Series I



**TABLE I: Dash Number, Cable Entry and Backshell Dimensions**

Shell Size	E Max		F Dim		G Max		H Nom		J Max		K	
		(.3)		(.3)		(.3)		(.3)		(.3)	±.010	(.3)
9	.572	(14.5)	.719	(18.3)	.958	(24.3)	.128	(3.3)	.085	(2.2)	.727	(18.5)
11	.701	(17.8)	.812	(20.6)	1.051	(26.7)	.128	(3.3)	.085	(2.2)	.727	(18.5)
13	.851	(21.6)	.906	(23.0)	1.145	(29.1)	.128	(3.3)	.085	(2.2)	.727	(18.5)
15	.976	(24.8)	.969	(24.6)	1.239	(31.5)	.128	(3.3)	.085	(2.2)	.727	(18.5)
17	1.101	(28.0)	1.062	(27.0)	1.332	(33.8)	.128	(3.3)	.085	(2.2)	.727	(18.5)
19	1.208	(30.7)	1.156	(29.4)	1.458	(37.0)	.128	(3.3)	.085	(2.2)	.727	(18.5)
21	1.333	(33.9)	1.250	(31.8)	1.582	(40.2)	.128	(3.3)	.115	(2.9)	.697	(17.7)
23	1.458	(37.0)	1.375	(34.9)	1.708	(43.4)	.147	(3.7)	.115	(2.9)	.697	(17.7)
25	1.583	(40.2)	1.500	(38.1)	1.832	(46.5)	.147	(3.7)	.115	(2.9)	.697	(17.7)

- APPLICATION NOTES**
1. Assembly to be identified with manufacturer's name and part number, space permitting.
  2. For complete dimensions, see the applicable Military Specification.
  3. Metric dimensions (mm) are in parentheses.

65