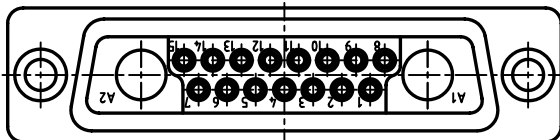
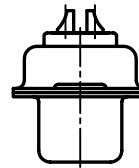
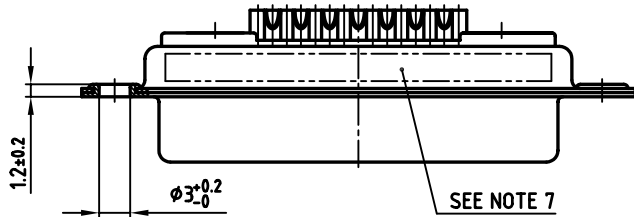
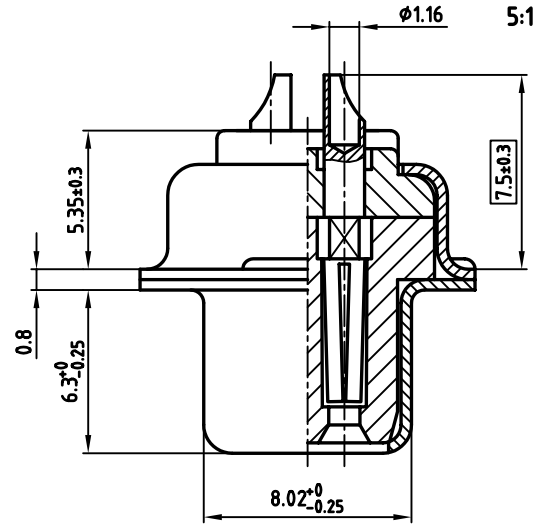
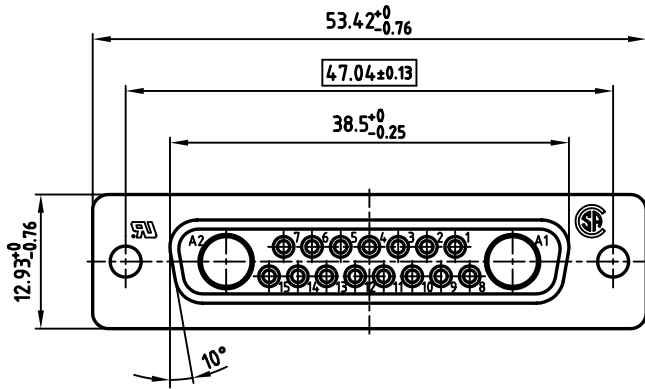


used for: D-SUB COMBINATION



PART-NO.	CFM PART-NO.
3017W2SCM99A10X	CFMP17W2S-K121

NOTES:

- METALSHELLS: STEEL; min. 320µ" TIN
- INSULATORS: PBT GF UL 94 V-0, GREEN
- SIGNAL CONTACTS: COPPER ALLOY
- PLATING: min. 30µ" HARD GOLD OVER min. 50µ" NICKEL
- SOLDER CUP ACCEPTS CABLE AWG 20
- NO CONTACTS ON POS A1 + A2
- CONNECTOR IS PART MARKED: PART NO: CONEC Y/WW
- = CRITICAL DIMENSION: SPC

Directive 2002/95/EC
 „RoHS“
 Compliant

THIS DRAWING MAY NOT BE COPIED OR REPRODUCED IN ANY WAY, AND MAY NOT BE PASSED ON TO A THIRD PARTY, WITHOUT WRITTEN PERMISSION. OWNERSHIP AND COPYRIGHT OF CONEC GmbH DO NOT ALTER CAD DRAWING BY HAND

tolerance				scale: 2:1 (5:1)	
				material: SEE NOTES	
2002	date	name		title:	
drawn	02.08.	Schmidt		D-SUB COMBINATION FEMALE 17W2S SOLDER CUP	
appd.	02.08.	E. Mickenbecker			
norm					
d-old					
rev.		description	date	dwg no: AutoCAD 2000	
				<div style="font-size: 1.2em; font-weight: bold; margin-bottom: 5px;">CONEC®</div> 13K1A664	
				part no: SEE TABLE	
				DIN-A 3 sh: 1/1	