

CR Series Round Single Pole Specialty Rocker Switches

Features/Benefits

- Round actuator and body
- Nice styling
- Multiple illuminated versions available
- IP65 splash proof rubber boot option

Typical Applications

- Appliances, small and large
- Office equipment
- Computers and peripherals
- Audio/Video equipment
- RoHS compliant



UL US **UL 61058-1**

Specifications

CONTACT RATING:

16 AMPS @ 125 VAC, 10 AMPS @ 250 VAC.

16 AMPS @ 125 VAC, 10 AMPS @ 250 VAC.

ELECTRICAL LIFE: 10,000 make and break cycles at full load.

INSULATION RESISTANCE: $10^8 \Omega$ min.

DIELECTRIC STRENGTH: 1,500 VRMS @ sea level.

OPERATING TEMPERATURE: -20°C to + 85°C

Materials

HOUSING AND ACTUATOR: 6/6 nylon (UL94V-2), matte finish.

ILLUMINATED ACTUATOR: Polycarbonate, matte finish.

CENTER CONTACTS: Silver plated, copper alloy.

END CONTACTS: Silver plated AgSnO₂InO₃.

ALL TERMINALS: Silver plated, copper alloy.

NOTE: Specifications and materials listed above are for switches with standard options. For information on specific and custom switches, consult Customer Service Center.

Build-A-Switch

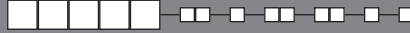
To order, simply select desired option from each category and place in the appropriate box. Available options are shown and described on pages G-78 through G-80. For additional options not shown in catalog, consult Customer Service Center.

Switch Function CR101 SPDT On-None-On CR102 SPST On-None-Off	
Actuator J1 Rocker J2* Two-tone rocker J3 Illuminated rocker J4** Circle, illuminated rocker J5 Oval, illuminated rocker JN Paddle, rocker JP Paddle, illuminated rocker	
Actuator Color 2 Black 1 White 3 Red R Red, illuminated A Amber, illuminated G Green, illuminated	
Mounting Style/Color S2 Snap-in, black S1 Snap-in, white	
Termination 15 .187" quick connect	
Contact Rating QF Silver	
Lamp Rating (NONE) No lamp 6 LED 7 125 VAC neon 8 250 VAC neon	

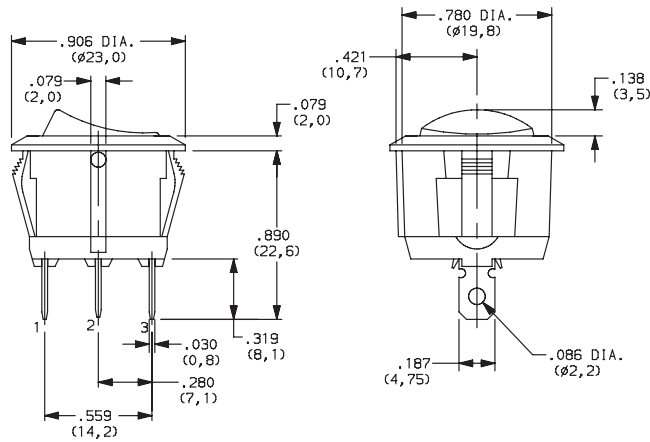
* Refer to table on page G-79 for actuator options.

CR Series Round Single Pole Specialty Rocker Switches

SWITCH FUNCTION



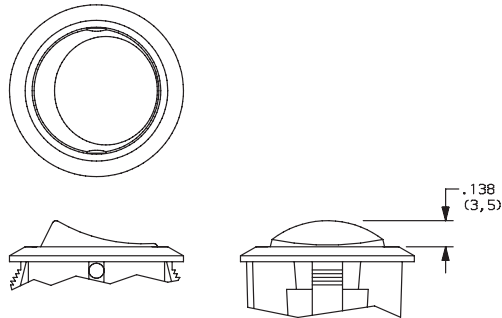
NO. POLES	MODEL NO.	SWITCH FUNCTION			CONNECTED TERMINALS			SCHEMATIC
		Pos. 1	Pos. 2	Pos. 3	Pos. 1	Pos. 2	Pos. 3	
	CR101	ON	NONE	ON	2-3		2-1	
	CR102	ON	NONE	OFF		N/A		
SP								For 7 & 8 Illuminated Versions



ACTUATOR

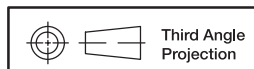
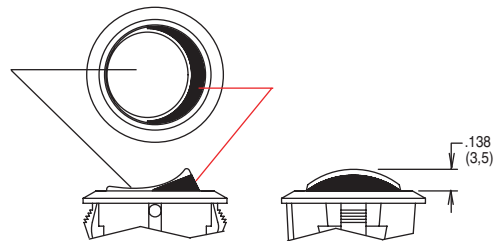


- J1** ROCKER
- J3** ILLUMINATED ROCKER



NOTE: J3 actuator available with the combination of 7 & 8 lamp ratings and CR102 switch function only.

- J2** TWO-TONE ROCKER



Dimensions are shown: Inches (mm)
Specifications and dimensions subject to change

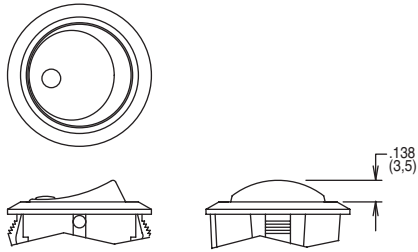


CR Series Round Single Pole Specialty Rocker Switches

ACTUATOR

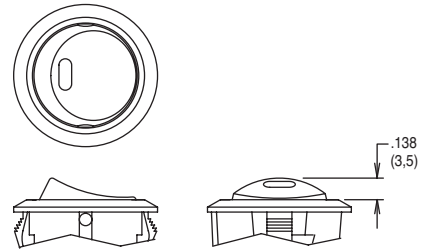


J4 CIRCLE, ILLUMINATED ROCKER



NOTE: Available with the combination of CR102 switch function and 7 & 8 lamp ratings only.

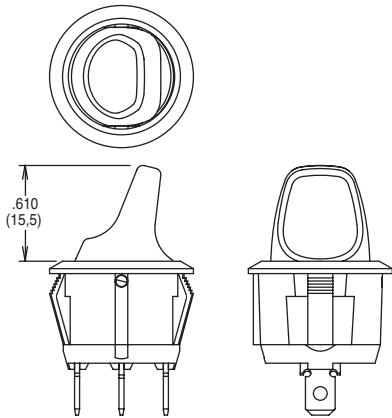
J5 OVAL, ILLUMINATED ROCKER



NOTE: Available with the combination of CR102 switch function and 6 lamp rating only.

JN PADDLE, ROCKER

JP PADDLE, ILLUMINATED ROCKER



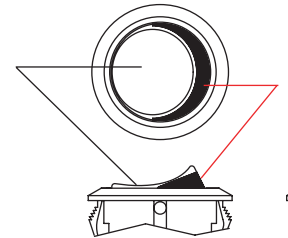
NOTE: JP actuator available with the combination of CR102 switch function and 7 & 8 lamp ratings only.

ACTUATOR COLOR



ACTUATOR	OPTION CODE	ACTUATOR COLOR
J1	2	BLACK
	1	WHITE
	3	RED
J3, J4 J5, JP	R	RED, ILLUMINATED
	A	AMBER, ILLUMINATED
	G	GREEN, ILLUMINATED

ACTUATOR	OPTION CODE	ACTUATOR COLOR	
		TOP	BOTTOM
J2	1	WHITE	RED
	2	WHITE	BLACK
	3	RED	WHITE
	4	BLACK	WHITE
	5	BLACK	RED



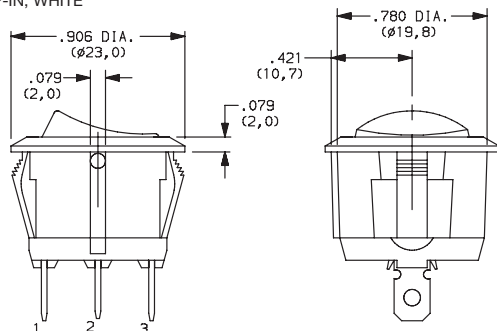
J2 actuator only

MOUNTING STYLE/COLOR

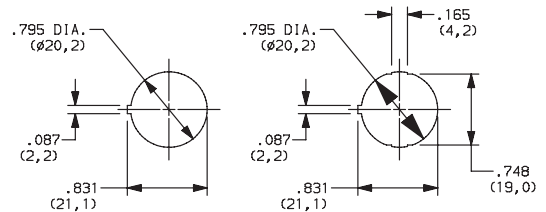


S2 SNAP-IN, BLACK

S1 SNAP-IN, WHITE



PANEL MOUNTING



Panel thickness:
2.0 - 3.0 mm

Panel thickness:
0.7 - 3.0 mm



Dimensions are shown: Inches (mm)

Specifications and dimensions subject to change

Rocker

G

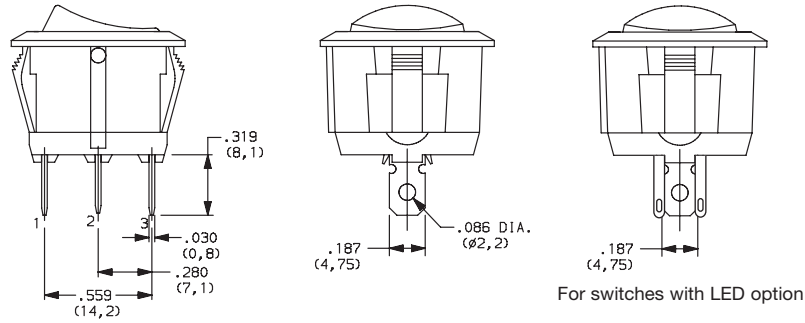
C&K

CR Series Round Single Pole Specialty Rocker Switches

TERMINATION



15 .187" QUICK CONNECT



CONTACT MATERIAL



OPTION CODE	CONTACT AND TERMINAL MATERIAL	RATINGS	
		QF	SILVER

* Note: See Technical Data section of this catalog for RoHS compliant and compatible definitions and specifications.

LAMP RATING



(NONE) NO LAMP

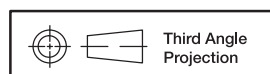
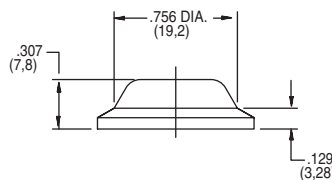
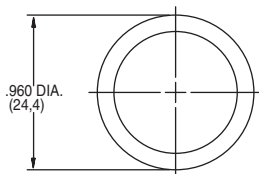
6 LED RATING @ 10 mA $V_f=1.85V$

7 125 VAC 33kΩ NEON

8 250 VAC 150kΩ NEON

ACCESSORIES

377C00000 IP65 SPLASH PROOF RUBBER BOOT



Dimensions are shown: Inches (mm)
Specifications and dimensions subject to change

Rocker



G