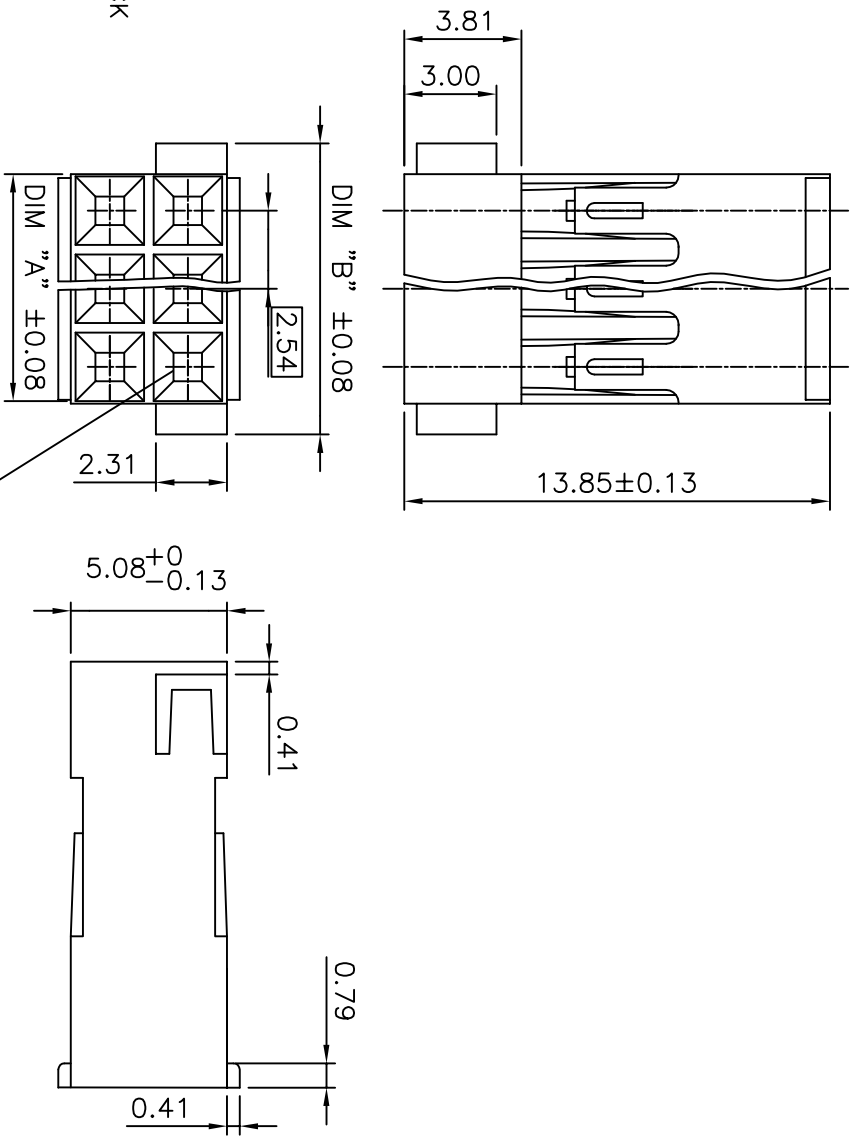


PRODUCT NUMBER	No. OF POS.	DIM "A"	DIM "B"
68105-001LF	2x02	4.93	6.93
68105-002LF	2x03	7.47	9.47
68105-003LF	2x04	10.01	12.01



- NOTES:
- MOLDING MATERIAL : POLYAMID (PA 66), COLOR BLACK
25% GLASS FILLED, UL 94 V0
 - STANDARD PACKAGING IN POLYBAGS
 - TERMINALS MUST BE CRIMPED PROPERLY FOR SATISFACTORY LATCHING :
- FOR CRIMPING INSTRUCTIONS, SEE TA-75
- FOR TERMINAL APPLICATION SEE TA-531.
PRODUCT SPECIFICATION: BUS-12-067.
 - THIS HOUSING IS INTENDED FOR USE WITH MINI PV TERMINAL WITH 22-36 GAUGE WIRE
 - PRODUCT MEETS EUROPEAN UNION DIRECTIVES AND OTHER COUNTRY REGULATIONS AS DESCRIBED IN GS-22-008.
 - THE PRODUCT IS NOT INTENDED TO BE EXPOSED TO A MANUFACTURING SOLDER PROCESS.



FCIconnect.com

Copyright FCI

mat'l. code		SEE NOTES		surface	tolerance	projection	product family
ltr	ech no	dr	date	ISO 1302	ISO 406	ISO 1001	BERCONN
G	608-0097HTB		08.02.25	tolerances unless otherwise specified	X ±0.3		MINI LATCH DR
H	F11-0099LMU		11.09.05	linear	.xxx ±0.13	mm	POLARIZED HSG 2.54mm
		dr			xxx ±0.05	scale 5:1	sheet 1 of 1
		engr			L.MULIN		size
		chr			L.MULIN		A3
		appd			LMU		Drawing
					11.05.19		
sheet	revision						
index	sheet						