

FEATURES

- FLAT PLATE POWER INDUCTOR
- SMALL SIZE WITH CURRENT RATINGS TO 19 AMPS
- SURFACE MOUNTABLE CONSTRUCTION
- HIGH INDUCTANCE (UP TO 10 μ H)
- TAPED AND REELED FOR AUTOMATIC INSERTION
- FOR USE IN DC/DC CONVERTERS

RoHS Compliant
includes all homogeneous materials

*See Part Number System for Details

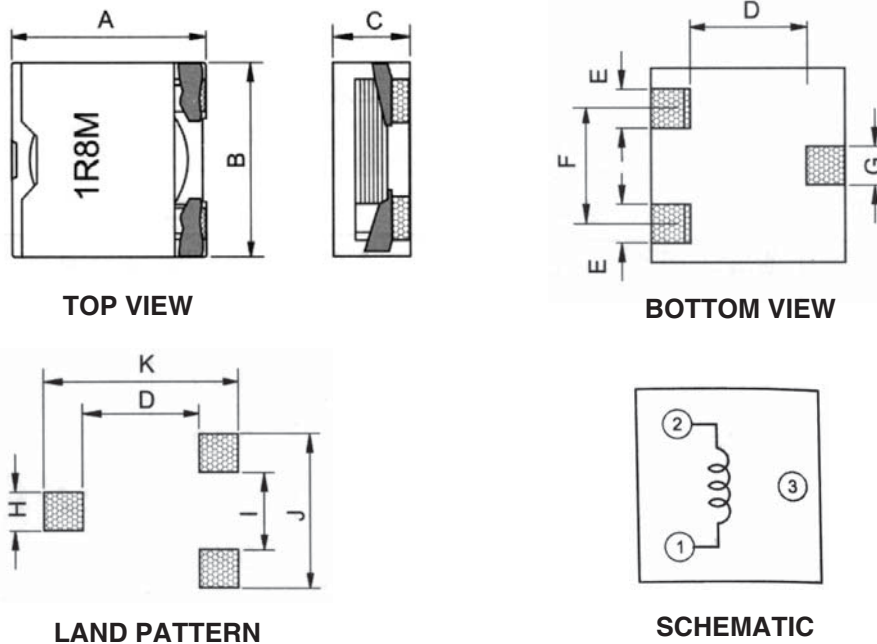


CHARACTERISTICS

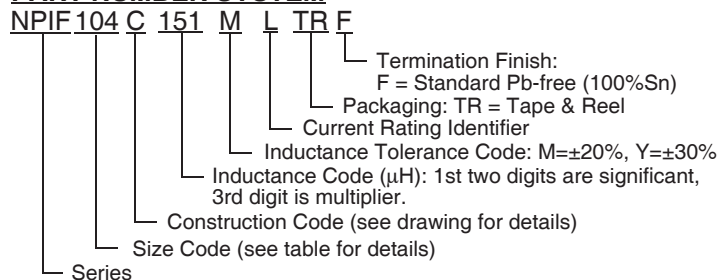
Case Size	NPIF104C	NPIF105C	NPIF125C	NPIF134C
Inductance Range	0.22 ~ 8.8 μ H	0.15 ~ 8.8 μ H	1.5 ~ 10 μ H	0.30 ~ 8.0 μ H
Ambient Operating Temperature Range	-40°C ~ +85°C			
Temperature Rise at IDC	+40°C max.			
Inductance Change at IDC	-30% typical			
Inductance Tolerance	\pm 20% (M) and \pm 30% (Y)			
Resistance to Solder Heat	260°C for 10 seconds			

DIMENSIONS (mm)

Series	A max.	B max.	C max.	D	E	F	G	H	I	J	K
NPIF104C	10.4	10.4	4.5	6.7	2.6	5.5	1.4	2.0	2.5	8.5	11.0
NPIF105C			5.6								
NPIF125C	12.9	12.9	5.7	8.2		7.0	2.5	3.0	4.0	10.0	13.5
NPIF134C	13.9	13.9	5.0	9.6		7.2	2.6	2.6	4.4	10.0	15.0



PART NUMBER SYSTEM



Part Number	STANDARD VALUES - CASE SIZE 104 (10.4 x 10.4 x 4.5mm)			Test Frequency
	Inductance Value (μH)	DC Resistance (mΩ)	DC Current Isat/Irms (Amps)	
NPIF104CR22YSTRF	0.22 ± 30%	2.2	18.0	100KHz
NPIF104CR36YLTRF	0.36 ± 30%	2.2	18.0	
NPIF104CR45MSTRF	0.45 ± 20%	3.7	13.4	
NPIF104CR80MLTRF	0.80 ± 20%	3.7	13.4	
NPIF104CR80MSTRF	0.80 ± 20%	5.9	10.2	
NPIF104C1R3MSTRF	1.3 ± 20%	11.8	7.3	
NPIF104C1R4MLTRF	1.4 ± 20%	5.9	10.2	
NPIF104C1R8MSTRF	1.8 ± 20%	18.6	5.4	
NPIF104C2R2MLTRF	2.2 ± 20%	11.8	7.3	
NPIF104C2R5MSTRF	2.5 ± 20%	21.8	5.0	
NPIF104C3R2MLTRF	3.2 ± 20%	18.6	5.4	
NPIF104C4R3MLTRF	4.3 ± 20%	21.8	5.0	

Maximum +40°C temperature rise at Irms. Typical -30% inductance change at Isat.

Part Number	STANDARD VALUES - CASE SIZE 105 (10.4 x 10.4 x 5.6mm)			Test Frequency
	Inductance Value (μH)	DC Resistance (mΩ)	DC Current Isat/Irms (Amps)	
NPIF105CR15YHTRF	0.15 ± 30%	1.7	19.0	100KHz
NPIF105CR22YSTRF	0.22 ± 30%	1.7	19.0	
NPIF105CR30YHTRF	0.30 ± 30%	2.4	17.7	
NPIF105CR36YLTRF	0.36 ± 30%	1.7	19.0	
NPIF105CR45MSTRF	0.45 ± 20%	2.4	17.7	
NPIF105CR50MHTRF	0.50 ± 20%	4.1	13.0	
NPIF105CR80MLTRF	0.80 ± 20%	2.4	16.0	
NPIF105CR80MSTRF	0.80 ± 20%	4.1	13.0	
NPIF105CR80MHTRF	0.80 ± 20%	5.3	11.2	
NPIF105C1R2MHTRF	1.2 ± 20%	7.5	9.0	
NPIF105C1R3MSTRF	1.3 ± 20%	5.3	11.2	
NPIF105C1R4MLTRF	1.4 ± 20%	4.1	12.0	
NPIF105C1R5MHTRF	1.5 ± 20%	10.5	7.8	
NPIF105C1R8MSTRF	1.8 ± 20%	7.5	9.0	
NPIF105C2R0MHTRF	2.0 ± 20%	12.4	7.4	
NPIF105C2R2MLTRF	2.2 ± 20%	5.3	9.6	
NPIF105C2R5MSTRF	2.5 ± 20%	10.5	7.8	
NPIF105C3R0MHTRF	3.0 ± 20%	23.8	4.9	
NPIF105C3R2MLTRF	3.2 ± 20%	7.5	7.8	
NPIF105C3R2MSTRF	3.2 ± 20%	12.4	7.4	
NPIF105C4R0MSTRF	4.0 ± 20%	18	6.2	
NPIF105C4R3MLTRF	4.3 ± 20%	10.5	6.8	
NPIF105C5R0MSTRF	5.0 ± 20%	23.8	4.9	
NPIF105C5R7MLTRF	5.7 ± 20%	12.4	5.8	
NPIF105C7R2MLTRF	7.2 ± 20%	18.0	5.3	
NPIF105C8R8MLTRF	8.8 ± 20%	23.8	4.8	

Maximum +40°C temperature rise at Irms. Typical -30% inductance change at Isat.



Part Number	STANDARD VALUES - CASE SIZE 125 (12.9 x 12.9 x 5.7mm)			Test Frequency
	Inductance Value (μH)	DC Resistance (mΩ)	DC Current Isat/Irms (Amps)	
NPIF125CR35YUTRF	0.35 ± 30%	1.8	18.5	100KHz
NPIF125CR80YUTRF	0.80 ± 30%	2.5	16.5	
NPIF125C1R0MHTRF	1.0 ± 20%	2.5	16.5	
NPIF125C1R4MUTRF	1.4 ± 20%	3.4	15.5	
NPIF125C1R5MTRF	1.5 ± 20%	2.5	14.0	
NPIF125C1R8MHTRF	1.8 ± 20%	3.4	15.3	
NPIF125C2R2MUTRF	2.2 ± 20%	5.4	12.5	
NPIF125C2R5MTRF	2.5 ± 20%	3.4	10.0	
NPIF125C2R8MHTRF	2.8 ± 20%	5.4	12.3	
NPIF125C3R2MUTRF	3.2 ± 20%	8.0	9.9	
NPIF125C4R0MTRF	4.0 ± 20%	8.0	8.3	
NPIF125C4R0MHTRF	4.0 ± 20%	8.0	9.9	
NPIF125C4R3MUTRF	4.3 ± 20%	11.4	8.2	
NPIF125C5R6MHTRF	5.6 ± 20%	11.4	8.2	
NPIF125C5R6MUTRF	5.6 ± 20%	13.5	7.6	
NPIF125C6R0MTRF	6.0 ± 20%	8.0	6.7	
NPIF125C7R2MHTRF	7.2 ± 20%	13.5	7.6	
NPIF125C8R2MTRF	8.2 ± 20%	11.4	5.8	
NPIF125C100MTRF	10 ± 20%	13.5	5.0	

Maximum +40°C temperature rise at Irms. Typical -30% inductance change at Isat.

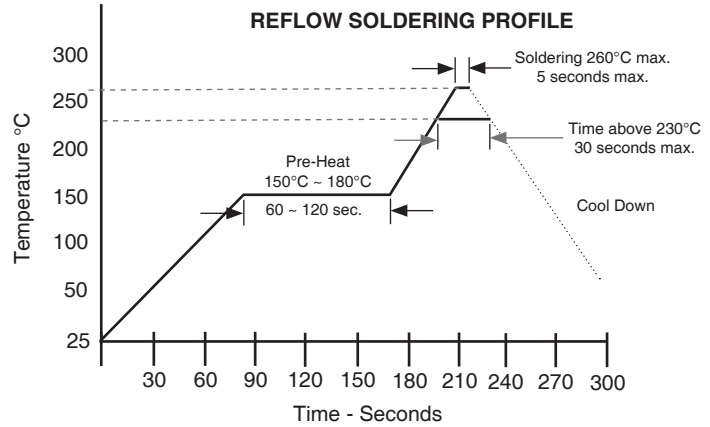
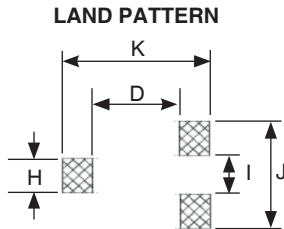
Part Number	STANDARD VALUES - CASE SIZE 134 (13.9 x 13.9 x 5.0mm)			Test Frequency
	Inductance Value (μH)	DC Resistance (mΩ)	DC Current Isat/Irms (Amps)	
NPIF134CR30YHTRF	0.30 ± 30%	1.9	18.5	100KHz
NPIF134CR40YTRF	0.40 ± 30%	1.9	18.5	
NPIF134CR66MHTRF	0.66 ± 20%	2.5	17.0	
NPIF134CR90MTRF	0.90 ± 20%	2.5	17.0	
NPIF134C1R2MHTRF	1.2 ± 20%	3.7	15.0	
NPIF134C1R6MTRF	1.6 ± 20%	3.7	15.0	
NPIF134C1R8MHTRF	1.8 ± 20%	6.6	10.5	
NPIF134C2R5MTRF	2.5 ± 20%	6.6	10.5	
NPIF134C2R7MHTRF	2.7 ± 20%	10.8	8.0	
NPIF134C3R6MTRF	3.6 ± 20%	10.8	8.0	
NPIF134C3R6MHTRF	3.6 ± 20%	12.0	7.5	
NPIF134C4R8MTRF	4.8 ± 20%	12.0	7.5	
NPIF134C4R8MHTRF	4.8 ± 20%	16.3	7.0	
NPIF134C6R0MHTRF	6.0 ± 20%	18.4	6.5	
NPIF134C6R4MTRF	6.4 ± 20%	16.3	7.0	
NPIF134C8R0MTRF	8.0 ± 20%	18.4	6.5	

Maximum +40°C temperature rise at Irms. Typical -30% inductance change at Isat.

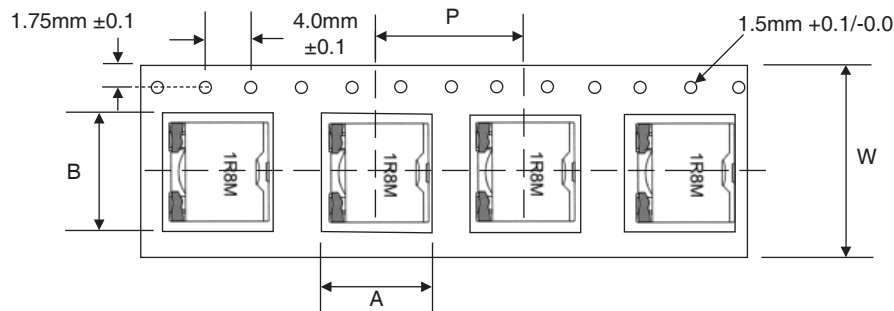


RECOMMENDED LAND PATTERN DIMENSIONS

Series	D	H	I	J	K
NPIF104C	6.7	2.0	2.5	8.5	11.0
NPIF105C	6.7	2.0	2.5	8.5	11.0
NPIF125C	8.2	3.0	4.0	10.0	13.5
NPIF134C	9.6	2.6	4.4	10	15.0



Case Size	TAPING DIMENSIONS (mm)				
	A	B	P	W	Qty/Reel
NPIF104C	10.4 ± 0.1	10.4 ± 0.1	16.0	24.0	500 pcs
NPIF105C	10.4 ± 0.1	10.4 ± 0.1	16.0	24.0	500 pcs
NPIF125C	13.0 ± 0.1	13.0 ± 0.1	16.0	24.0	500 pcs
NPIF134C	13.9 ± 0.1	13.9 ± 0.1	16.0	24.0	500 pcs



Tape Width	REEL DIMENSIONS (mm)			
	A(mm)	B(mm)	C(mm)	D(mm)
16mm	16.5 ± 0.1	23 ± 1.0	13 ± 1.0	330

