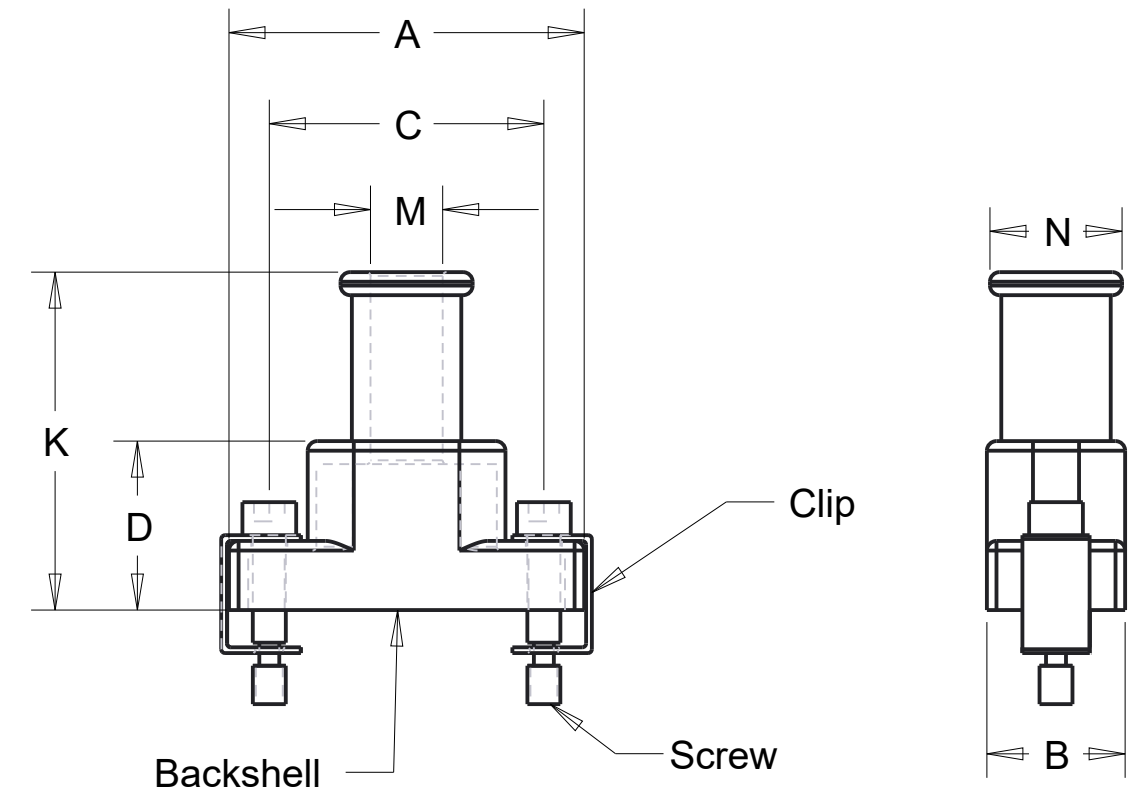
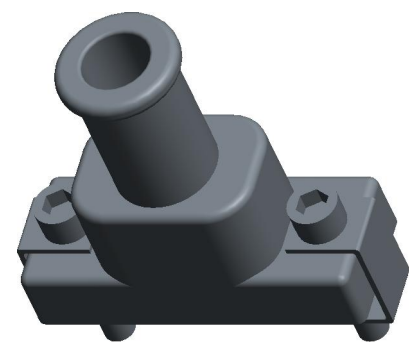


CATALOG P/N	DESCRIPTION	PLATING
DCBST09AN	Dura-Con Backshell, 9 position, Top entry - .156"	Nickel
DCBST15BN	Dura-Con Backshell, 15 position, Top entry - .188"	Nickel
DCBST21CN	Dura-Con Backshell, 21 position, Top entry - .219"	Nickel
DCBST25DN	Dura-Con Backshell, 25 position, Top entry - .250"	Nickel
DCBST25HN	Dura-Con Backshell, 25 position, Top entry - .375"	Nickel
DCBST31EN	Dura-Con Backshell, 31 position, Top entry - .281"	Nickel
DCBST37EN	Dura-Con Backshell, 37 position, Top entry - .281"	Nickel
DCBST37FN	Dura-Con Backshell, 37 position, Top entry - .312"	Nickel
DCBST51FN	Dura-Con Backshell, 51 position, Top entry - .312"	Nickel
DCBST51HN	Dura-Con Backshell, 51 position, Top entry - .375"	Nickel
DCBST100HN	Dura-Con Backshell, 100 position, Top entry - .375"	Nickel
DCBST09AC	Dura-Con Backshell, 9 position, Top entry - .156"	Olive Drab Cad
DCBST15BC	Dura-Con Backshell, 15 position, Top entry - .188"	Olive Drab Cad
DCBST21CC	Dura-Con Backshell, 21 position, Top entry - .219"	Olive Drab Cad
DCBST25DC	Dura-Con Backshell, 25 position, Top entry - .250"	Olive Drab Cad
DCBST31EC	Dura-Con Backshell, 31 position, Top entry - .281"	Olive Drab Cad
DCBST37EC	Dura-Con Backshell, 37 position, Top entry - .281"	Olive Drab Cad
DCBST51FC	Dura-Con Backshell, 51 position, Top entry - .312"	Olive Drab Cad
DCBST100HC	Dura-Con Backshell, 100 position, Top entry - .375"	Olive Drab Cad

REV	DOCUMENT	APP	APPROVAL DATE
A	CCS10310	DG	7/15/21



SIZE	A	B	C	D	K	M	N
9A	.775	.360	.565	.320	.76	.156	.312
15B	.925	.360	.715	.440	.88	.188	.344
21C	1.075	.360	.865	.560	1.00	.219	.375
25D	1.175	.360	.965	.620	1.06	.250	.406
25H	1.175	.360	.965	.620	1.06	.375	.531
31E	1.325	.360	1.115	.680	1.12	.281	.437
37E	1.475	.360	1.265	.720	1.16	.281	.437
37F	1.475	.360	1.265	.720	1.16	.312	.469
51F	1.425	.400	1.215	.750	1.19	.312	.469
51H	1.425	.400	1.215	.750	1.19	.375	.531
100H	2.160	.450	1.800	.810	1.25	.375	.531

- NOTES:
1. Backshells are designed to provide EMI / RFI shielding
 2. Kit contains: 1 backshell, 2 jackscrews, 2 hardware clips
 3. Hardware size: 9-51 position use #2-56, 100 position uses #4-40

UNITS ENGLISH INCHES		DESIGN ENGINEER D. Guinn	DATE 07/13/21			<small>1700 FINLEY RD LOMBARD, IL 60148</small>	
DO NOT SCALE DRAWING				TITLE Duracon Strain Relief EMI Backshell Top Entry w Screw & Hardware Clip			
<small>UNLESS OTHERWISE SPECIFIED: ALL DIMENSIONS ARE IN INCHES</small>				MATERIAL 		<small>CONTROL SPEC NUMBER</small>	
<small>FILLET/RADII .02 MAX.</small>				<small>MATERIAL SPEC NUMBER</small>		<small>FINISH</small>	
<small>TOLERANCES .X ± .1 .XX ± .01 .XXX ± .005 ANGULAR ± .5°</small>				<small>PROJECT NUMBER</small>			
<small>CONFIDENTIAL THIS DOCUMENT IS THE PROPERTY OF CINCH. NEITHER THIS DOCUMENT NOR ANY OF THE INFORMATION CONTAINED IN IT MAY BE DUPLICATED OR DISCLOSED WITHOUT PRIOR WRITTEN CONSENT OF CINCH. ©COPYRIGHT 2012 CINCH</small>				APPROVALS ON FILE		<small>CAD FILE NUMBER</small> DCBSTXXXXYZ	
				<small>DRAWING NUMBER</small> DCBSTxxxxyz			
				<small>CAGE IDENT NO.</small> 71785		<small>SIZE</small> B	
				<small>SCALE</small> 2.000		<small>SHEET 1 OF 1</small>	