



BOARD LEVEL COOLING - Channel 7025

Channel 7025 is a series of channel board level heat sinks designed to cool TO-220 and TO-220-single gauge devices. Representative image only.



ORDERING INFORMATION

Part Number	Device Type
7025BG	TO-220, TO-220-single gauge
7025B-MTG	TO-220, TO-220-single gauge

HEAT SINK DETAILS

Property	Details
Material	Aluminum
Finish	Black Anodize
Device Attachment Options	Requires Mounting Kit
Thermal Interface Material	-

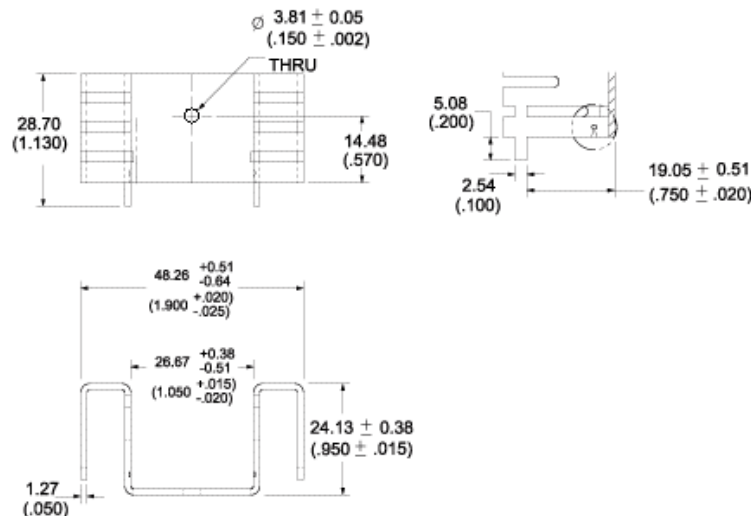
Property	Details
Heat Sink Width (mm)	48.26
Heat Sink Length (mm)	24.13
Heat Sink Height (mm)	23.62
Heat Sink Mounting Direction	Vertical

MECHANICAL & PERFORMANCE

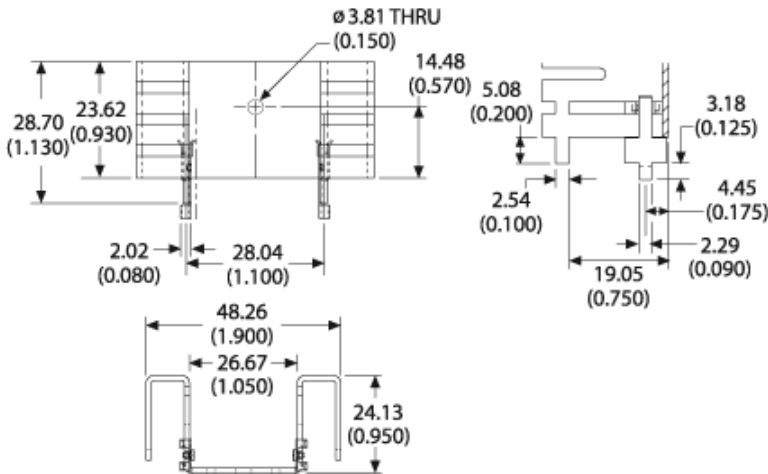
Drawing dimensions are shown in mm, (in)

Part Number	"X" Dim	"Y" Dim	"Z" Dim
7025BG	-	-	-
7025B-MTG	13.97 (0.550)	3.18 (0.125)	3.10 (0.122)

Part Number: 7025BG



Part Number: 7025B-MTG



Mounting Details:

