

16

1613 11

Power supply connectors

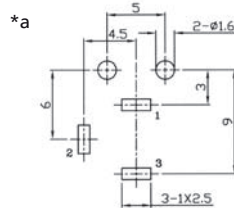
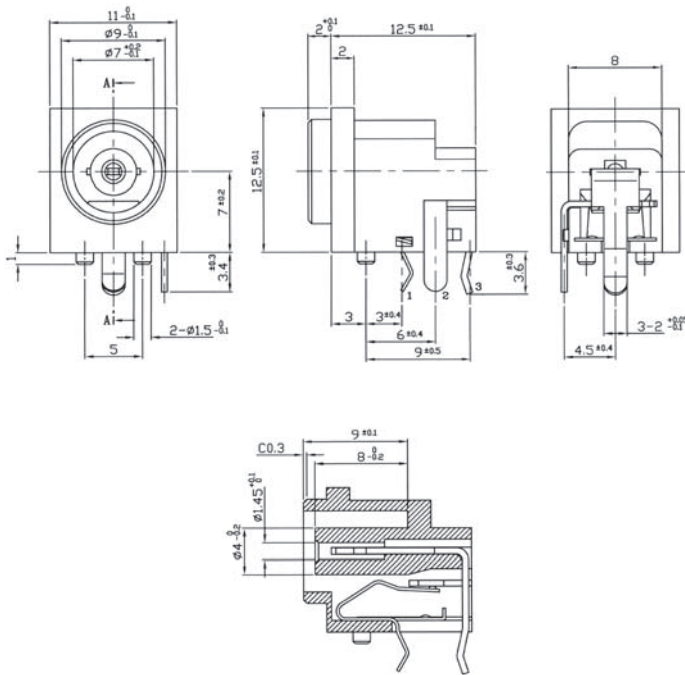


Power supply chassis socket acc. to JEITA RC-5320A
JSBJ51, angular version, for printed circuit boards, with
break contact, for printed circuit boards

State: Active

16

1613 11



*a printed circuit board layout, components side view

Environmental conditions

Temperature range -20 °C/+70 °C

Materials

Insulating body PBT, V-0 according to UL94
Contact Cu alloy, silver-plated

Mechanical data

Diameter opening 7,0 mm
Diameter insulation 4,0 mm
Diameter central hole 1,45 mm
Mating cycles ≥ 5000
Insertion force 4,9–29,4 N¹
Withdrawal force $\geq 9,8$ N¹

¹ measured with a gauge plug

Electrical data (at T_{amb} 20 °C)

Contact resistance ≤ 30 mΩ
Rated current 2 A
Rated voltage 18 V DC
Rated impulse voltage 500 V/60 s
Insulation resistance ≥ 100 MΩ

Associated products

Counterparts
☞ 1636 05

16

1613 11

Designation	Pole Number	PU (Pieces)	MDQ (Pieces)
1613 11	2	250	500

Packaging:

in bulk, in a cardboard box or a plastic bag