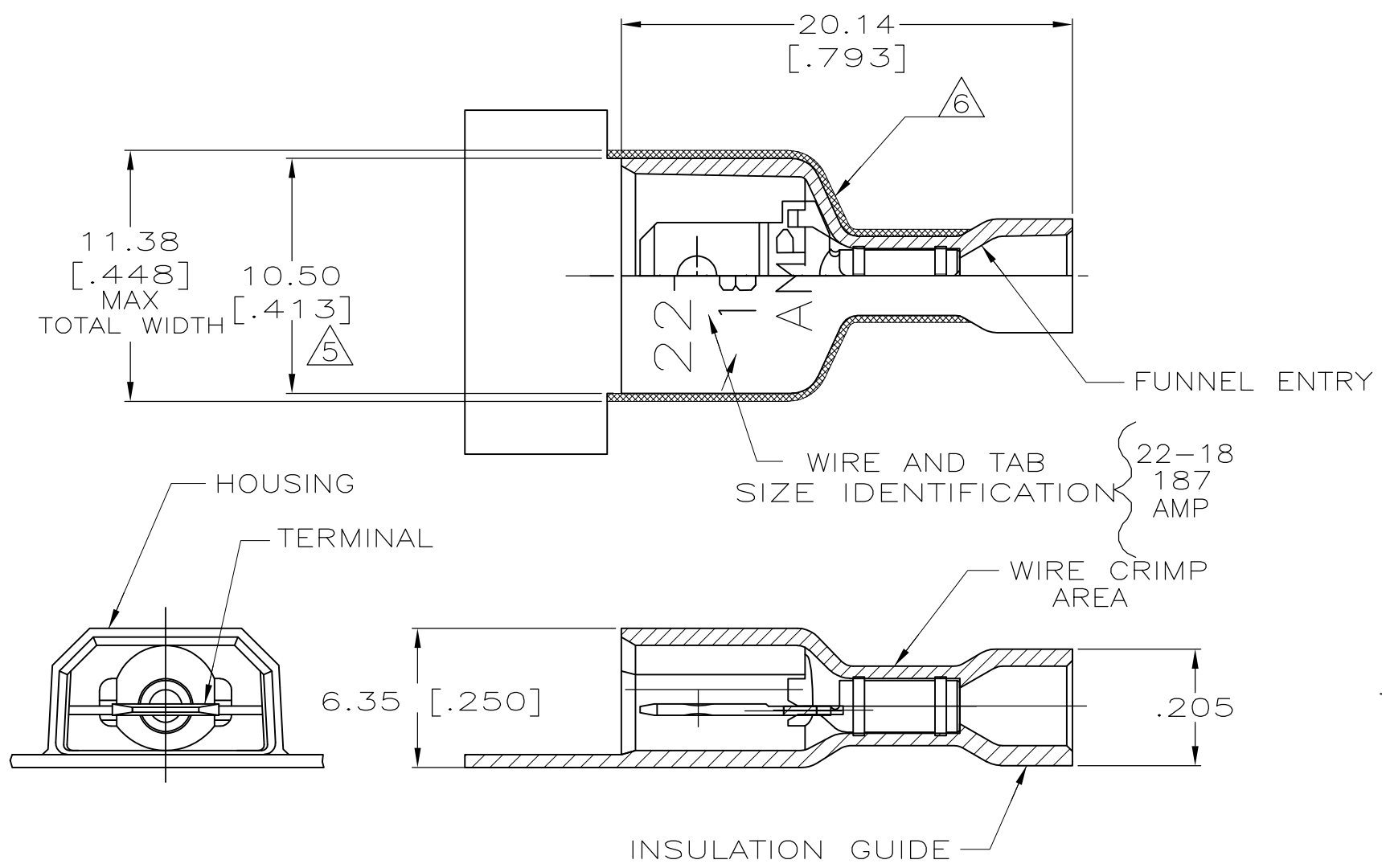


LOC	DIST	REVISIONS					
AF	50	P	LTR	DESCRIPTION	DATE	DWN	APVD
			C1	REVISED PER ECO-11-004820	11MAR11	RK	HMR



- 1 TAB DIMENSIONS .020±.001x.187
- 2 WIRE STRIP LENGTH .281
- 3 INSULATION SIZE .135 MAX DIA
- 4 CONTINUOUS STRIP ON REELS
- 5 DIMENSION DOES NOT INCLUDE TRIM BURR
- 6 .015 MAX CARRIER TRIM BURR PER SIDE IS ALLOWABLE IN THE SHADED AREA

HOUSING: NYLON, COLOR-RED TRANSLUCENT	2-521102-2
TAB: #3 HARD BRASS, TIN .000080 MIN	
MATERIAL & FINISH	PART NO

THIS DRAWING IS A CONTROLLED DOCUMENT.		DWN	JR RUTH	9/25/95	TE Connectivity TAB ASSEMBLY, ULTRA-FAST, 4.75 [.187] SERIES, 22-18 AWG
DIMENSIONS: mm[INCHES]		CHK	MS FEHER	9/25/95	
TOLERANCES UNLESS OTHERWISE SPECIFIED:		APVD	J WORMAN	9/25/95	
0 PLC ± - 1 PLC ± - 2 PLC ± 0.38 [.015] 3 PLC ± - 4 PLC ± - ANGLES ± -		PRODUCT SPEC	108-2017		
MATERIAL	SEE TABLE	FINISH	SEE TABLE	APPLICATION SPEC	114-2123
		WEIGHT	-	SIZE	A3
		CUSTOMER DRAWING		CAGE CODE	00779
				DRAWING NO	C-521102
				RESTRICTED TO	-
		SCALE	4:1	SHEET	1 OF 1
				REV	C1