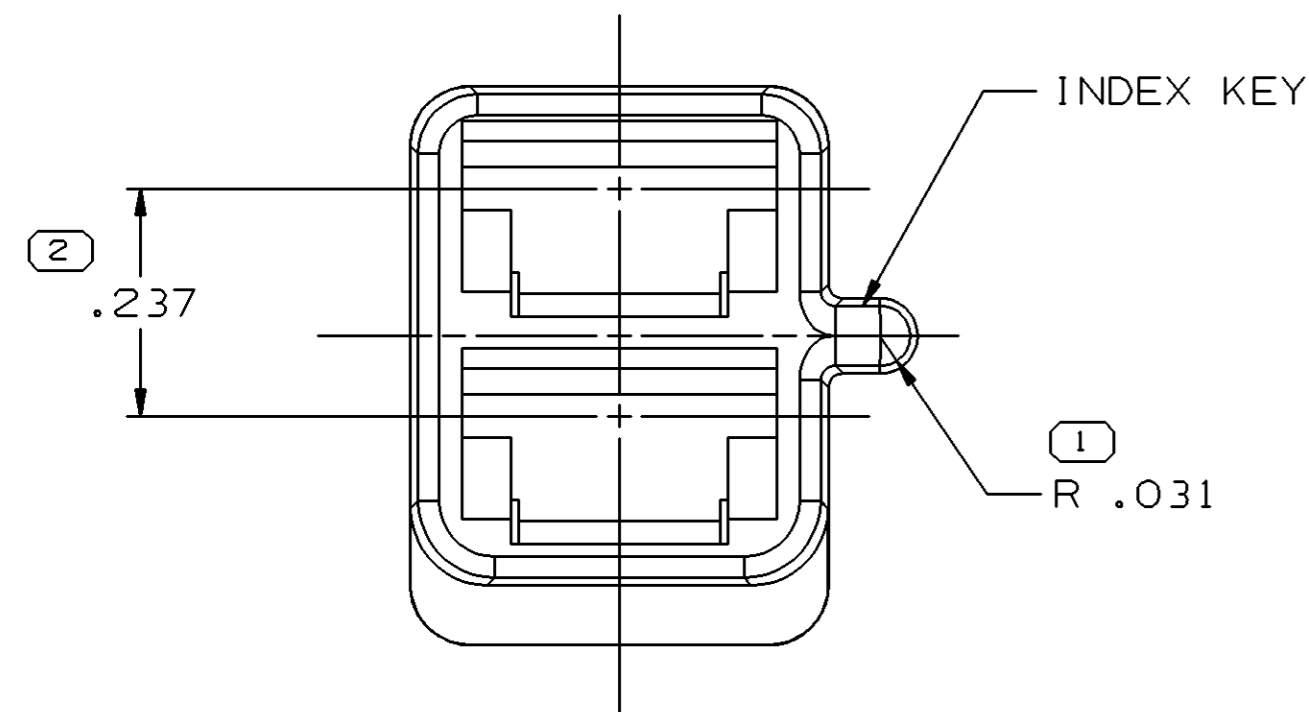
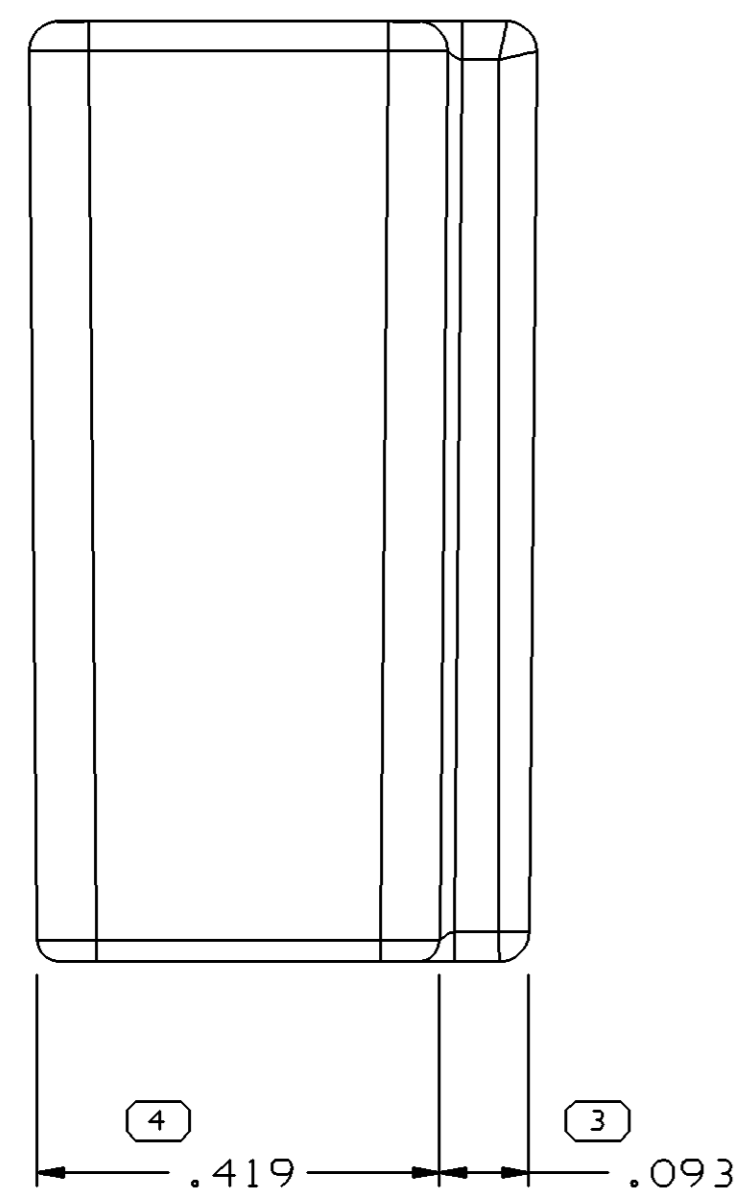
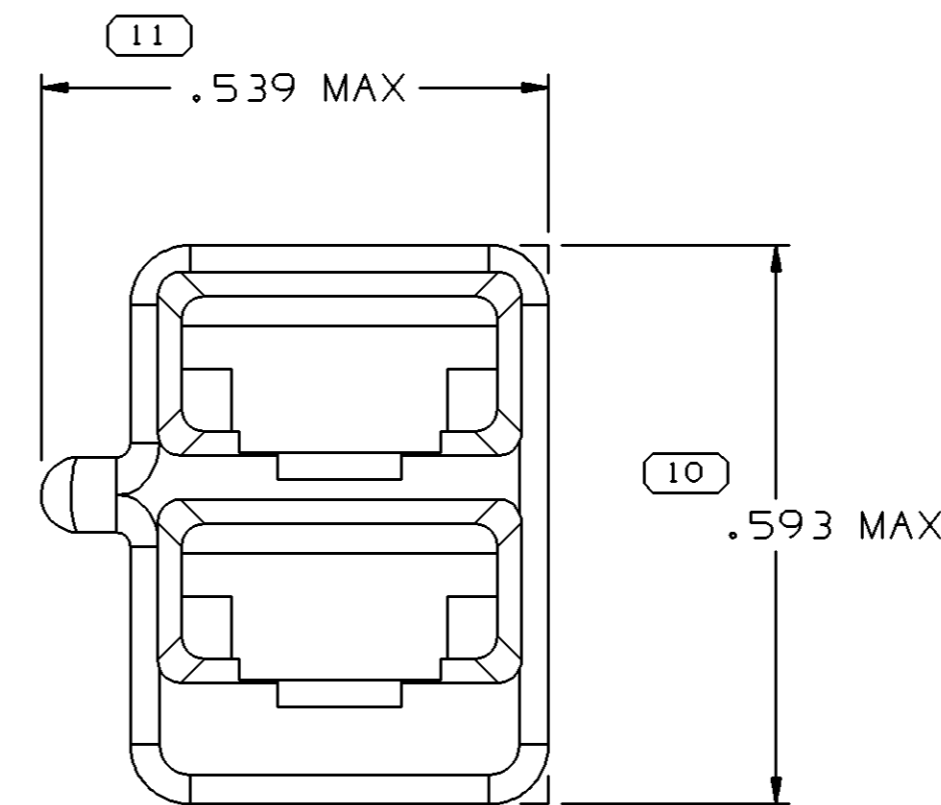
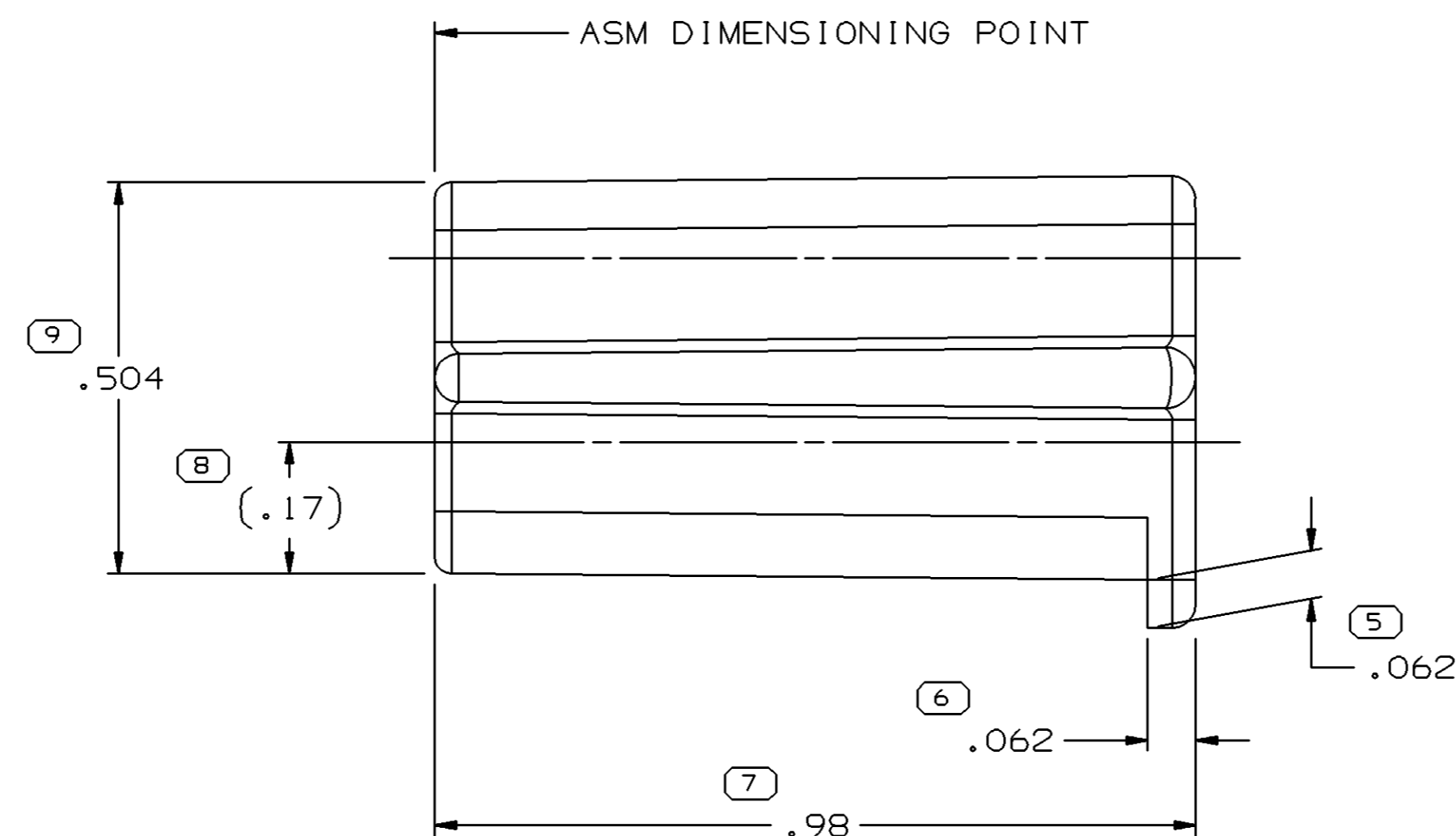
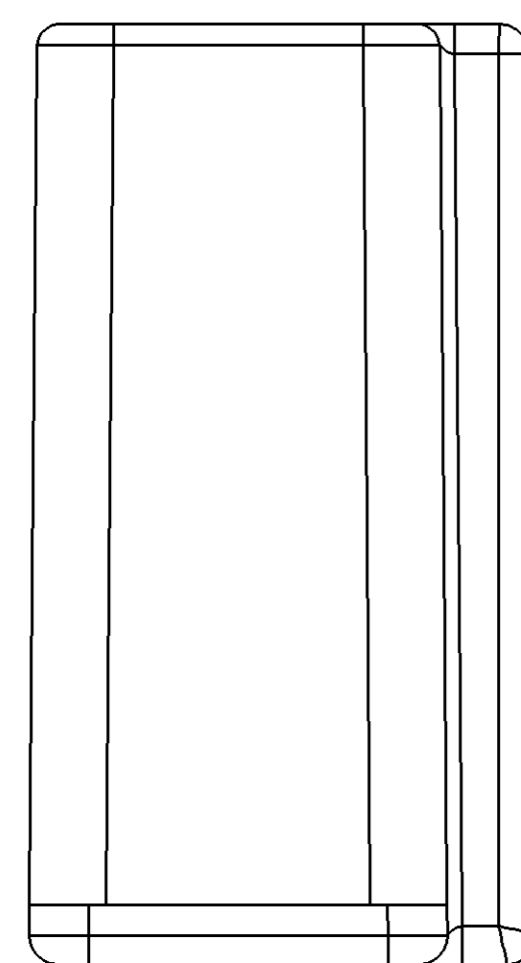


SYMBOL DEFINITION	
A DIMENSION WITHOUT AN INSPECTION REPORT SYMBOL ( ) DOES NOT REQUIRE INSPECTION. IT MAY BE CONTROLLED ON THE INDIVIDUAL COMPONENT DRAWING.	TOTAL NO OF INSPECTIONS REQUIRED
	11
	LAST NO. USED
	11

DATE	DWG STATUS				ZONE	REVISION HISTORY	AUTH	DR	APVD1	APVD2
	STG	REV	N/P	CHG						
12JL05	R	01	-	-		ALL ACTIVE PARTS - REDRAWN TO PD AND UPDATED MAT'L SPEC	269828	AMG	AMG	ET
23AU05	R	02	-	-		02962967 - MATERIAL SPEC WAS M0592202	271562	PCP	PCP	ET



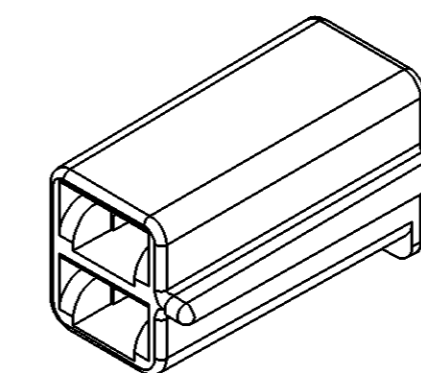
MATING END



CABLE END

NOTES

- UNLESS OTHERWISE SPECIFIED AND/OR INDICATED:  
DIMENSIONS ARE TO FACE OF VIEW SHOWN AND AUTOMATICALLY ROUNDED BY COMPUTER FOR INSPECTION (SEE MATH MODEL FOR PRECISE DIMENSIONS). FOR ALL OTHER DIMENSIONS NOT SHOWN BUT REQUIRED FOR TOOL BUILD, SEE MATH MODEL FOR PRECISE TOOL PATH DATA.
- MATERIAL RECYCLING CODE PER ISO 11469. (.100)X(.010) RAISED CHARACTERS AS SHOWN TO BE LOCATED ON ANY EXTERIOR SURFACE. OPTIONAL CONSTRUCTION TO BE NO MATERIAL RECYCLING CODE.
- REFERENCE MATING COMPONENTS OR EQUIVALENT:  
CONNECTOR 02977763
- USE 12124501 TERMINAL OR EQUIVALENT.
- (.100)X(.010) RAISED DELPHI CORPORATE BRAND TO BE LOCATED ON ANY EXTERIOR SURFACE, PREFERABLY VISIBLE AT FINAL ASSEMBLY. OPTIONAL CONSTRUCTION TO BE "PED" OR NO LOGO.



VIEW SCALE DOES NOT REFLECT ACTUAL PART SIZE

PART NO	REV	N/P	STATUS	MATERIAL SPECIFICATION AND COLOR	VOLUME CM <sup>3</sup>
08900322	D4	-	OBSOLETE	M-520-008 LT GRAY (NY-66)	-
02973872	D5	-		M2043002 PP TD40 BLK	1.823
02962967	D6	-		M0592002 ABS HI IM NAT	1.823

DIMENSIONAL RANGE (IN)		CHART	H		
FROM	0	>.750	>1.250	>2.750	>4.000
TO	.750	1.250	2.750	4.000	>4.000

TOLERANCE UNLESS OTHERWISE SPECIFIED  
 ±.005 ±.010 ±.012 ±.016 ±.020  
 ANGULAR TOLERANCE ±2°

DWG TYPE		PART DRAWING	
STYLE		DISTR CODE	
VOLUME (CM <sup>3</sup> ) SEE CHART		D	
UNLESS OTHERWISE SPECIFIED THIS DOCUMENT IS IN ACCORDANCE WITH ASME Y14.5M-1994 AS AMENDED BY THE GM GLOBAL DIMENSIONING AND TOLERANCING ADDENDUM-2001. SEPARATE PATTERNS OF FEATURES MAY BE GAGED SEPARATELY REGARDLESS OF DATUM REFERENCES.			
ALL DIMENSIONS ARE IN INCHES			
THIRD ANGLE PROJECTION			
DO NOT SCALE		UNIGRAPHICS	

<b>DELPHI</b>			
DELPHI PACKARD ELECTRIC SYSTEMS WARREN, OH			
DR		DATE	
APVD1	ANDRES MENDEZ	12JL05	
APVD2	ANDRES MENDEZ	12JL05	
APVD3	ERIC TRACEY	15JL05	
APVD4			
APVD5			
SUBSTANCES OF CONCERN AND RECYCLED CONTENT PER DELPHI 10949001			
MATERIAL SEE CHART			
DRAWING NAME TAXI CONN 2 F 56			
DRAWING NUMBER 02973874			
SIZE	SCALE	FRAME NO	SHEET NO
A1	5:1	1 OF 1	1 OF 1
		STG	REV
		R	02

# Mouser Electronics

Authorized Distributor

Click to View Pricing, Inventory, Delivery & Lifecycle Information:

[Aptiv:](#)

[02962967](#)