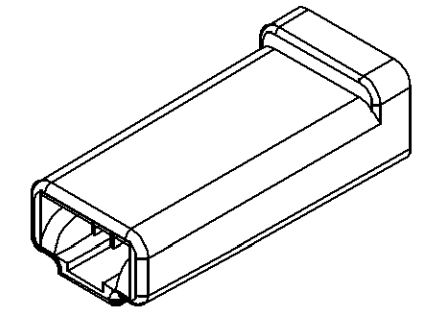
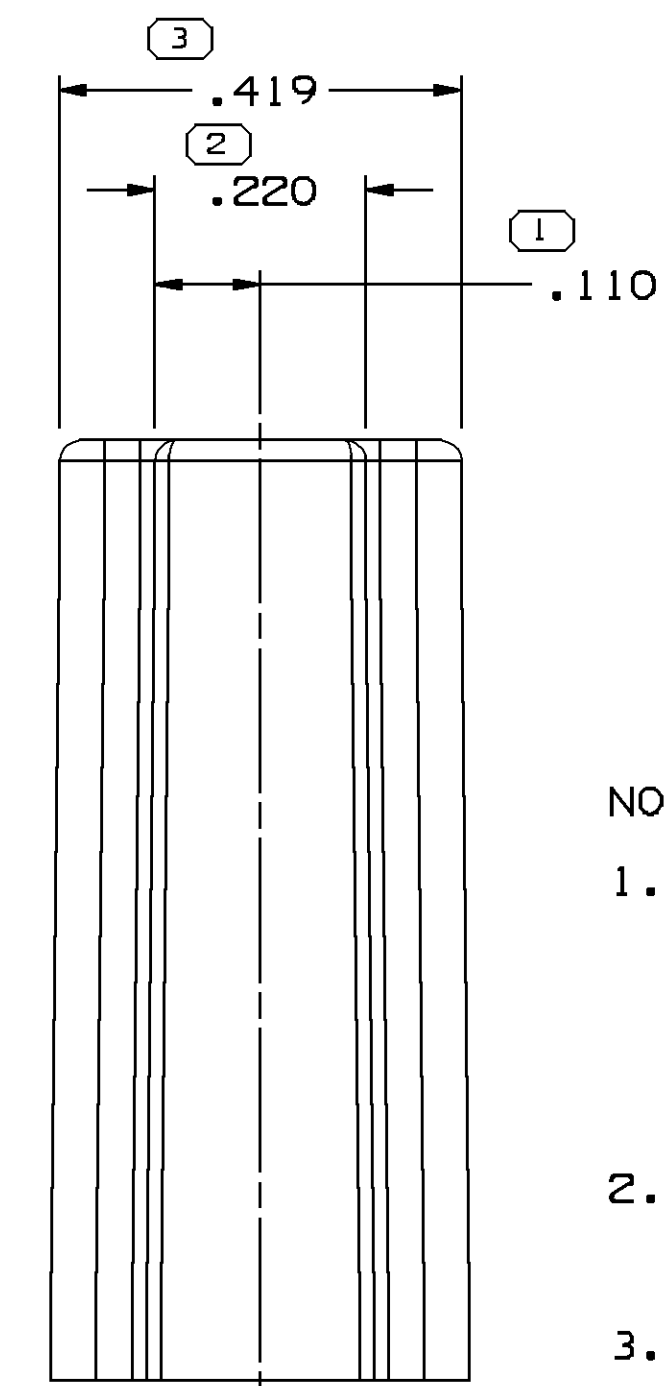
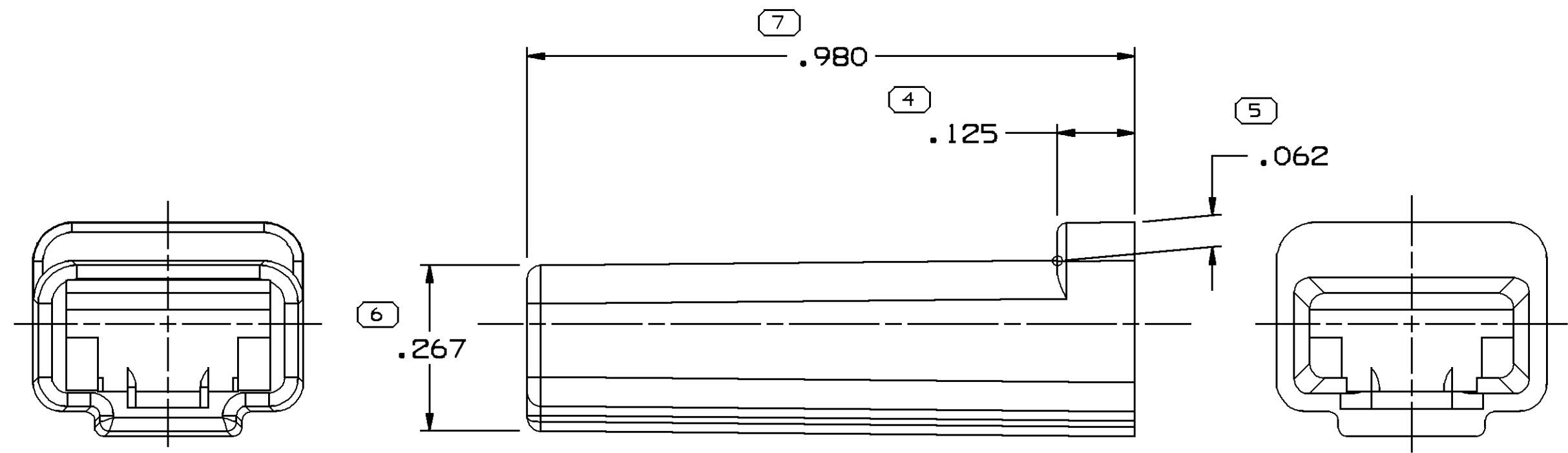


SYMBOL DEFINITION		MISSING SYMBOLS	
A DIMENSION WITHOUT AN INSPECTION REPORT SYMBOL DOES NOT REQUIRE INSPECTION. IT MAY BE CONTROLLED ON THE INDIVIDUAL COMPONENT DRAWING.	TOTAL NO OF INSPECTIONS REQUIRED	7	NO MISSING SYMBOL NUMBER
	LAST NO. USED	7	

DWG STATUS					ZONE	REVISION HISTORY			
DATE	STG	REV	N/P	CHG		AUTH	DR	APVD 1	APVD 2
14N001	R	01	-	-		ALL ACTIVE PARTS - REDRAWN TO PD			
01N004	R	02	-	-		02962448, 02962793 - REVISED MAT'L SPEC			
04N004	R	03	-	-		ALL ACTIVE PARTS - REVISED DRAFTING BLOCK AND DRAWING NAME			
24MR06	R	04	-	-		02977514 - MAT'L SPEC WAS M3592002			



VIEW SCALE DOES NOT REFLECT ACTUAL PART SIZE

NOTES

- UNLESS OTHERWISE SPECIFIED AND/OR INDICATED:
DIMENSIONS ARE TO FACE OF VIEW SHOWN AND AUTOMATICALLY ROUNDED BY COMPUTER FOR INSPECTION (SEE MATH MODEL FOR PRECISE DIMENSIONS). FOR ALL OTHER DIMENSIONS NOT SHOWN BUT REQUIRED FOR TOOL BUILD, SEE MATH MODEL FOR PRECISE TOOL PATH DATA.
- MATERIAL RECYCLING CODE PER ISO 11469. (.09)X(.003) CHARACTERS AS SHOWN TO BE LOCATED ON ANY EXTERIOR SURFACE. OPTIONAL CONSTRUCTION TO BE NO MATERIAL RECYCLING CODE.
- (.09)X(.003) DELPHI CORPORATE BRAND TO BE LOCATED ON ANY EXTERIOR SURFACE, PREFERABLY VISIBLE AT FINAL ASSEMBLY. OPTIONAL CONSTRUCTION TO BE "PED" OR NO LOGO.

08905615	P8	-	-	M3592012 PA66 HS IM-GRA LT	NONE
02977514	15	-	-	M3592024 PA66 HS IM CRM	NONE
02965202	-	-	OBSOLETE	M-530 YELLOW	POS-3040A
02965188	-	-	OBSOLETE	M-530 CLEAR	NONE
02962793	15	AA	-	M2097001 PP IM BLK	NONE
02962448	15	AA	-	M2097002 PP IM NAT	NONE
PART NO	REV	N/P	STATUS	MAT'L SPECIFICATION AND COLOR	DYE SPEC

7 PROCESS SENSITIVE DIMENSION	
DIMENSIONS ENCLOSED IN () INDICATE REFERENCE DIMENSIONS AND NO TOLERANCE LIMITS ARE ESTABLISHED	
DIMENSIONAL RANGE (IN)	CHART H
FROM TO	0 >.750 >1.250 >2.750 >4.000
TOLERANCE UNLESS OTHERWISE SPECIFIED	±.005 ±.010 ±.012 ±.016 ±.020
ANGULAR TOLERANCE ±2°	

DWG TYPE PART DRAWING	
STYLE	
VOLUME (CU³) 0.941	DISTR CODE D
UNLESS OTHERWISE SPECIFIED THIS DOCUMENT IS IN ACCORDANCE WITH ASME Y14.5M-1994 AS AMENDED BY THE GM GLOBAL DIMENSIONING AND TOLERANCING ADDENDUM - 1997. ALL GEOMETRIC TOLERANCES AND RELATED DATUMS APPLY RFS. RULE #11 PERFECT FORM AT MMC DOES NOT APPLY WHEN RELATIONSHIP BETWEEN FEATURES IS ESTABLISHED BY ORIENTATION OR LOCATION TOLERANCES. SEPARATE POSITION CALLOUTS MAY BE GAGED SEPARATELY, REGARDLESS OF DATUM REFERENCE. ALL DIMENSIONS ARE IN INCHES	
REFERENCE	
THIRD ANGLE PROJECTION	DO NOT SCALE USE MATH DATA
UNIGRAPHICS	

DELPHI

DELPHI PACKARD ELECTRIC SYSTEMS
WARREN, OH

DR	DATE
APVD1 E.A. CACHO	14N001
APVD2 G.G. IZQUIERDO	21N001
APVD3 AIDA LOPEZ	23N001
APVD4	
APVD5	

SUBSTANCES OF CONCERN AND RECYCLED CONTENT PER DELPHI 10949001

MATERIAL
SEE CHART

DRAWING NAME
TAXI CONN F 56 SERIES

DRAWING NUMBER
02962827

SIZE A2	SCALE 5:1	FRAME NO 1 OF 1	SHEET NO 1 OF 1	STG R	REV 04	N/P -
------------	--------------	--------------------	--------------------	----------	-----------	----------

Mouser Electronics

Authorized Distributor

Click to View Pricing, Inventory, Delivery & Lifecycle Information:

[Aptiv:](#)

[02962448](#) [02962793](#) [08905615](#)