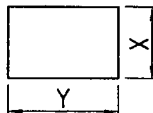
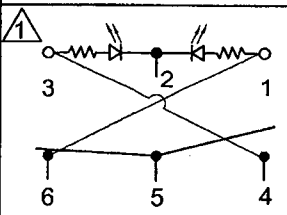
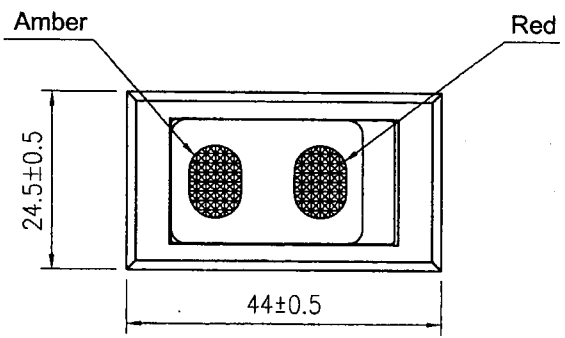
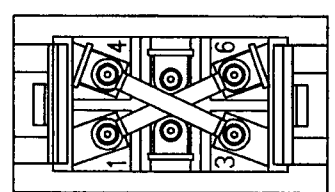
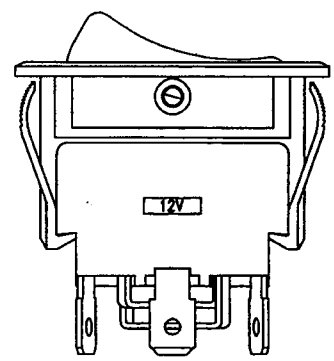
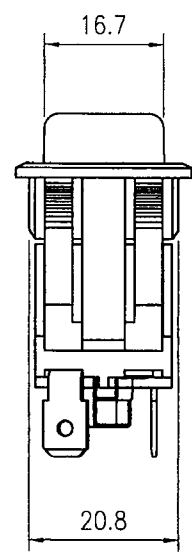
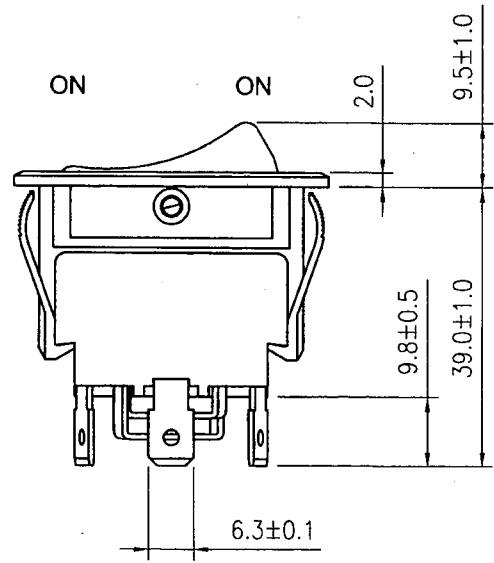


Rating	20A 12V DC	Mounting Hole 	Circuit Diagram 	
Contact Resistance	50m ohm Max.			
Insulation Resistance	DC 500V 100M ohm Min.	Thickness	X	Y
Dielectric Strength	AC 1500V 1 minute	0.75-1.25	21.2+0.1	37.3-0.1
Switch Function	4P SPDT ON-ON (LED dependent)	1.25-2	21.2+0.1	37.5-0.1
		2-3	21.2+0.1	37.9-0.1



Material:
 Frame: PBT, Black
 Actuator: Nylon#66+33GF, Black
 Lens: PC, Red/Amber



原稿
 2019.8.06
 研發部

Tolerances ±0.3 Unless Otherwise Specified

07/03/19	曾敏捷	依ECR(GLE190604-114)燈泡改為LED			△		
Date	Name	Description			No.		
Drawn	Checked	Approved	SCI BOM No	1821184	Model Name	ROCKER SWITCH	
曾敏捷			Customer No		Model No.	R13-220BC-01	Rev.
07/03/19	7/3-19	7/5-19	Unit	mm	Shin Chin Industrial Co., Ltd.		1