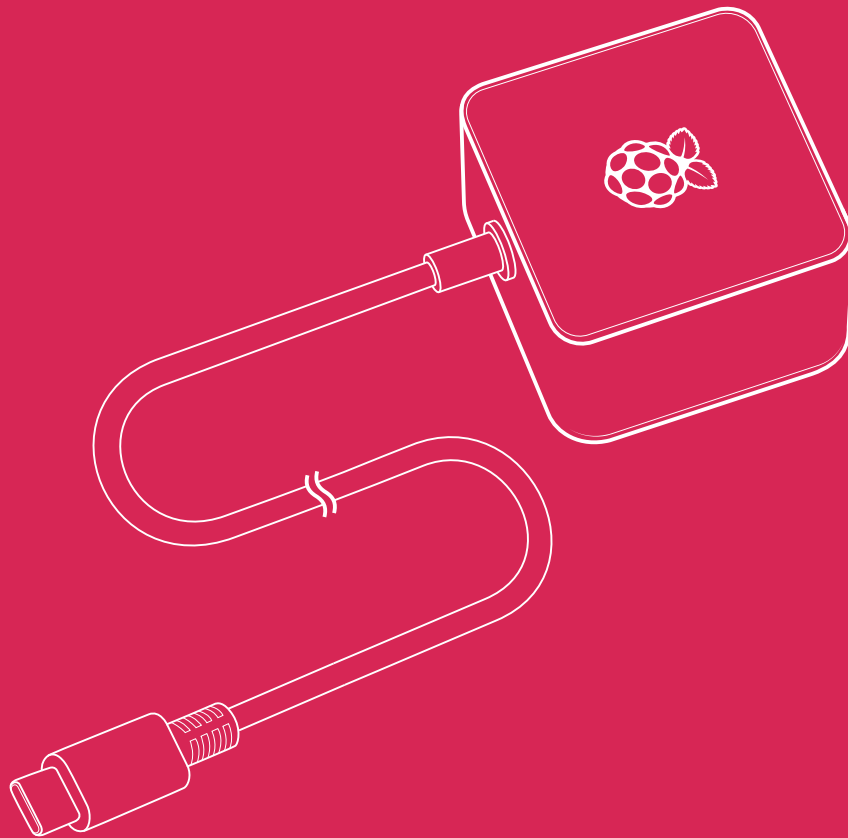




Raspberry Pi 15W USB-C Power Supply

Published November 2021



Overview



The official Raspberry Pi USB-C Power Supply is designed to power Raspberry Pi 4 Model B and Raspberry Pi 400 computers.

Featuring a captive USB-C cable, the power supply is available in five different models to suit different international power sockets, and in two colours, white and black.

Specification

Output

Output voltage:	+5.1V DC
Minimum load current:	0.0A
Nominal load current:	3.0A
Maximum power:	15.0W
Load regulation:	±5%
Line regulation:	±2%
Ripple & noise:	120mVp-p
Rise time:	100ms maximum to regulation limits for DC outputs
Turn-on delay:	3000ms maximum at nominal input AC voltage and full load
Protection:	Short circuit protection Overcurrent protection Over temperature protection
Efficiency:	81% minimum (output current from 100%, 75%, 50%, 25%)
Output cable:	1.5m 18AWG
Output connector:	USB Type-C

Input

Voltage range:	100–240Vac (rated) 96–264Vac (operating)
Frequency:	50/60Hz ±3Hz
Current:	0.5A maximum
Power consumption (no load):	0.075W maximum
Inrush current:	No damage shall occur and the input fuse shall not blow

Plug styles

Part number	Product number	Colour	Plug Style	Plug Type
KSA-15E-051300HU	SC0445	White	US	Type A
	SC0218	Black		
KSA-15E-051300HE	SC0444	White	Europe	Type C
	SC0217	Black		
KSA-15E-051300HK	SC0443	White	UK	Type G
	SC0216	Black		
KSA-15E-051300HA	SC0523	White	Australia	Type I
	SC0219	Black	New Zealand	
			China	
KSA-15E-051300HI	SC0478	White	India	Type D (2-pin)
	SC0479	Black		

Environment

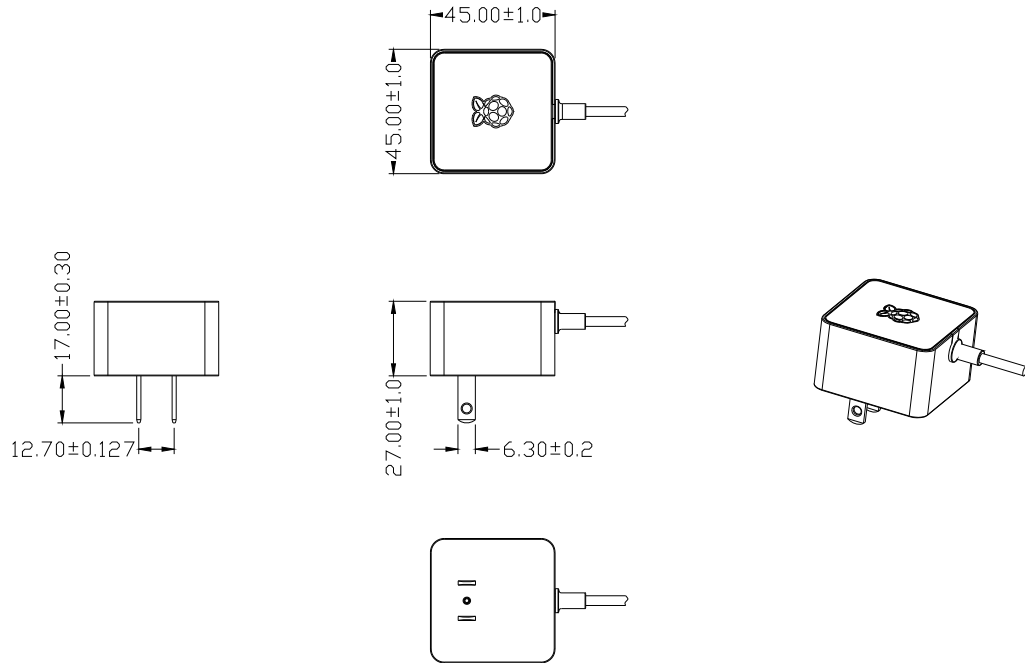
Operating ambient temperature 0–40°C

Compliance

For a full list of local and regional product approvals, please visit pip.raspberrypi.com

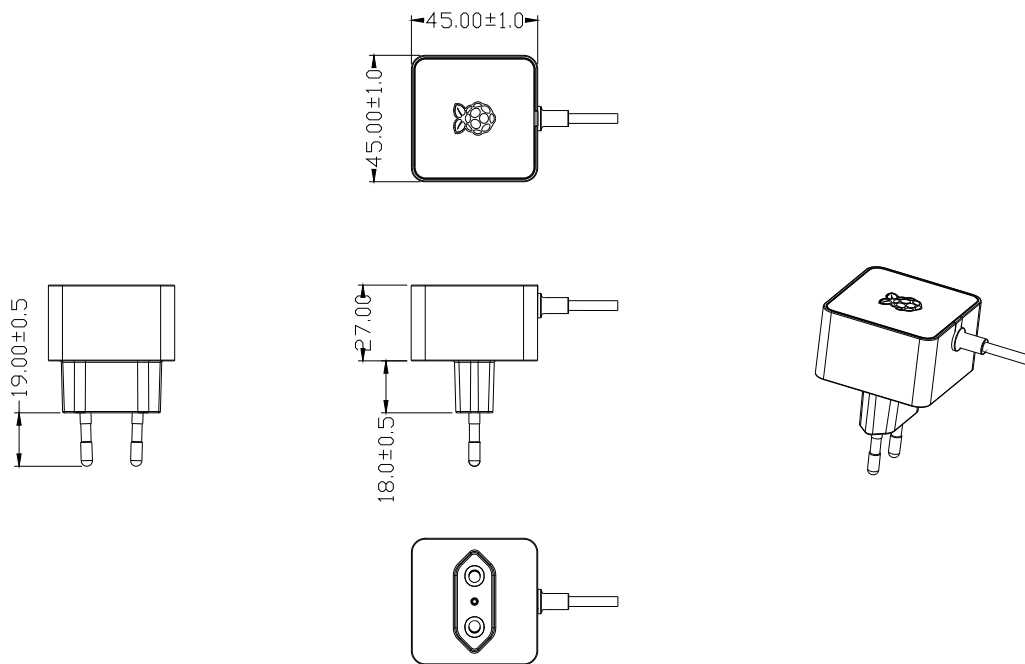
Physical specification

KSA-15E-051300HU



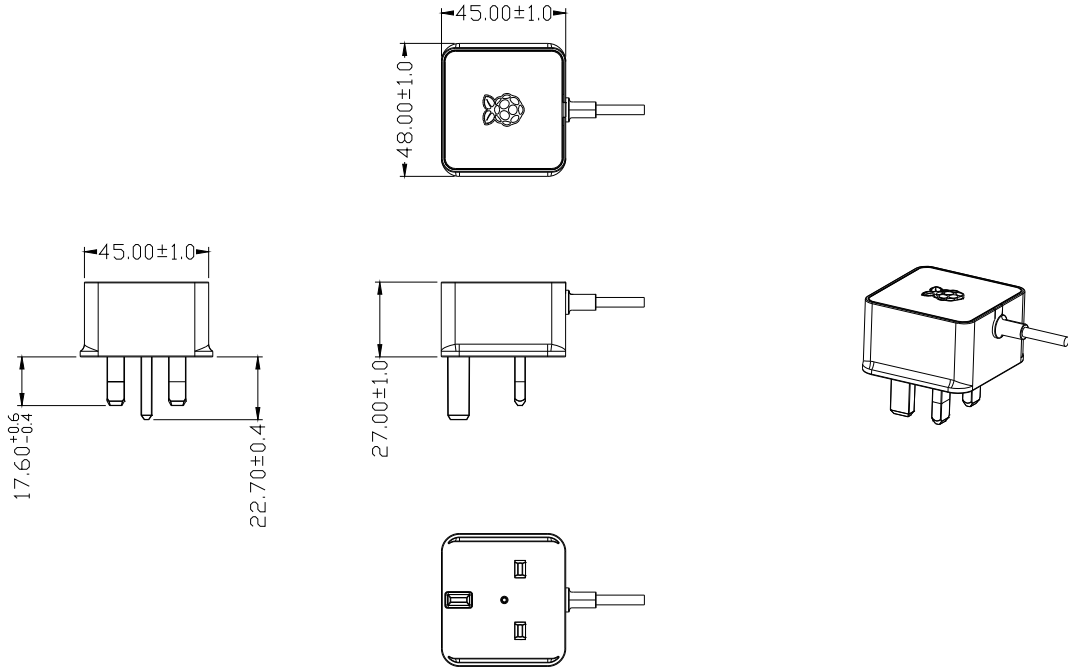
note: all dimensions in mm

KSA-15E-051300HE

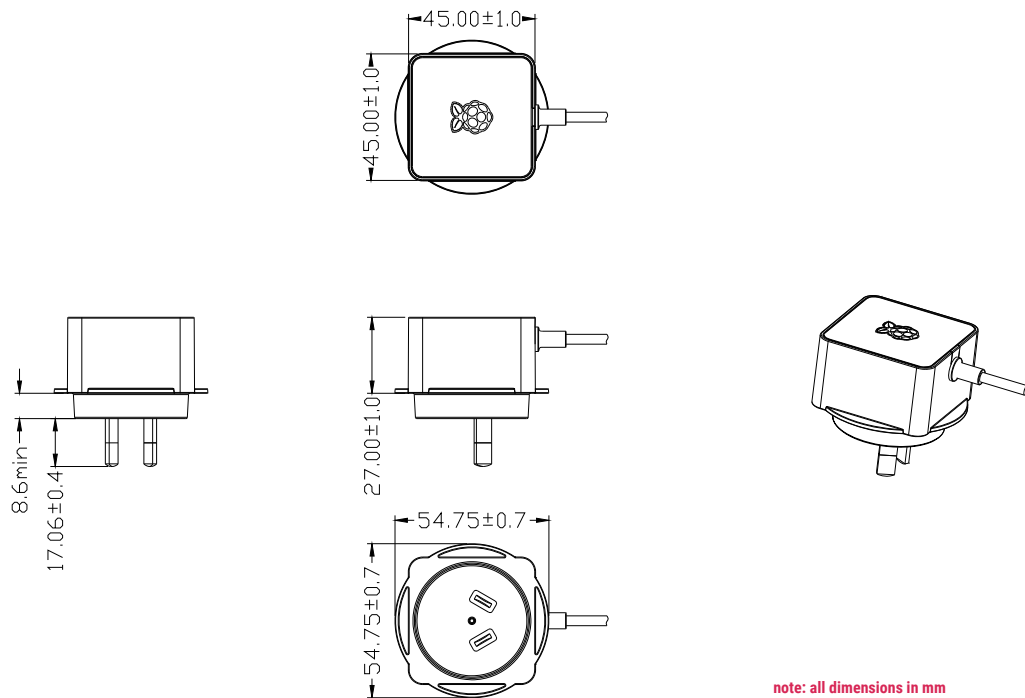


note: all dimensions in mm

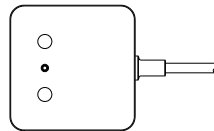
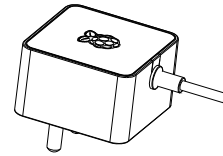
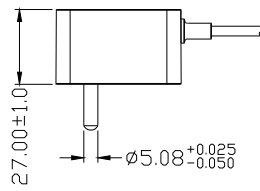
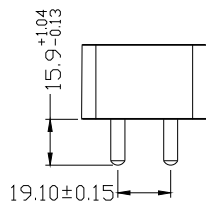
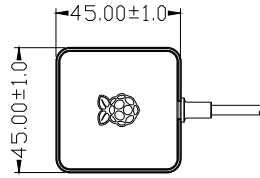
KSA-15E-051300HK



KSA-15E-051300HA



KSA-15E-051300HI



note: all dimensions in mm

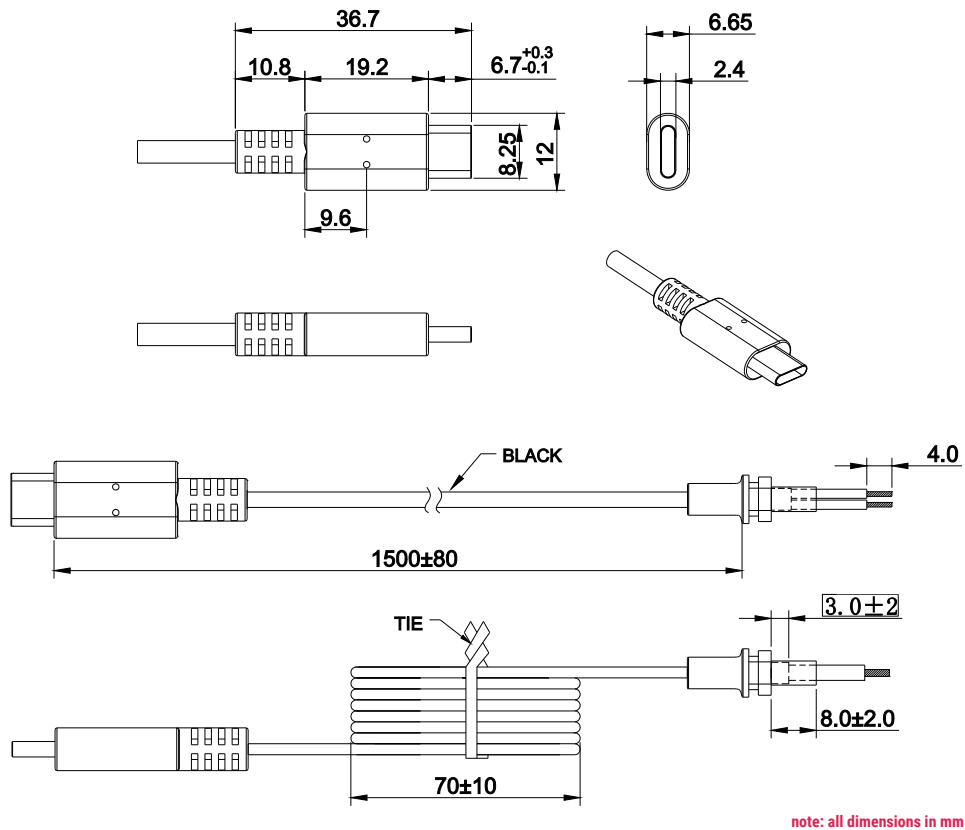
Case material

UL94V-1

AC pin material

Brass (Ni-plated)

DC cord and output plug



note: all dimensions in mm

WARNINGS

- This product should be operated in a well-ventilated environment.
- The connection of incompatible devices to this power supply may affect compliance, result in damage to the unit and invalidate the warranty.

SAFETY INSTRUCTIONS

To avoid malfunction or damage to this product please observe the following:

- Do not expose to water or moisture, or place on a conductive surface whilst in operation.
- Do not expose to heat from any source; this is designed for reliable operation at normal ambient room temperatures.
- Do not attempt to open or remove the power supply case.



Raspberry Pi is a trademark of Raspberry Pi (Trading) Ltd

Mouser Electronics

Authorized Distributor

Click to View Pricing, Inventory, Delivery & Lifecycle Information:

[Raspberry Pi:](#)

[SC0523](#) [SC0753](#) [SC0218](#) [SC0445](#) [SC0216](#) [SC0479](#) [SC0219](#) [SC0754](#) [SC0478](#) [SC0212](#)