

FOC-V14-C1ZNI-B/SJFP - FO connectors



1407902

<https://www.phoenixcontact.com/us/products/1407902>

Please be informed that the data shown in this PDF document is generated from our Online Catalog. Please find the complete data in the user documentation. Our General Terms of Use for Downloads are valid.



FO connectors, degree of protection: IP65/IP67, number of positions: 2, MM, material: Metal, cable outlet: angled

Your advantages

- Push-pull ADVANCE connector
- Locking system to prevent inadvertent release
- Highest ESD and EMC resistance for reliable transmission

Commercial Data

Item number	1407902
Packing unit	1 pc
Minimum order quantity	1 pc
Note	Made to Order (non-returnable)
Sales Key	AB12
Product Key	ABNEBA
Catalog Page	Page 368 (C-2-2019)
GTIN	4046356782050
Weight per Piece (including packing)	102.5 g
Weight per Piece (excluding packing)	22.22 g
Customs tariff number	85367000
Country of origin	DE

Technical Data

Notes

General	This product corresponds to the PROFINET Cabling and Interconnection Technology Guideline for PROFINET regulations, version 2.00, order no: 2.252, Chapter 8.4 Connectors for outside environment (optical fibre) and chapter 13 Application specific Cabling and Interconnection Technology (AIDA)
---------	---

Product properties

Type	SC-RJ
Product type	Fiber optic connector (cable side)
Number of positions	2
Connection profile	SCRJ
Locking type	Push Pull
Cable outlet	angled

Insulation characteristics

Overvoltage category	I
Degree of pollution	3

Electrical properties

Attenuation	≤ 1.5 dB (in accordance with ISO/IEC 24702)
Transmission medium	FO

Dimensions

Mechanical characteristics

Ferrule diameter	2.50 mm
------------------	---------

Material specifications

Flammability rating according to UL 94	V0
Seal material	NBR
Ferrule material	Copper alloy
Housing surface material	Nickel-plated
Housing material	Metal

Cable/line

Cable type	Plastic fiber
External cable diameter	≤ 10 mm (of 5 mm) 5.5 mm ... 10 mm
External cable diameter	5.5 mm ... 10 mm
Resistance to oil	yes
Flame resistance	yes
Cable type	Plastic fiber

1407902

<https://www.phoenixcontact.com/us/products/1407902>

External cable diameter	5.5 mm ... 10 mm
	≤ 10 mm (of 5 mm)
	5.5 mm ... 10 mm
Resistance to oil	yes
Flame resistance	yes

FO cable

Number of fibers	2
Fiber	980/1000 μm
Fiber type	POF

Mechanical properties

Mechanical data

Insertion/withdrawal cycles	≥ 100
-----------------------------	-------

Characteristics

Attenuation	≤ 1.5 dB (in accordance with ISO/IEC 24702)
-------------	---

Environmental and real-life conditions

Ambient conditions

Degree of protection	IP65/IP67
Ambient temperature (operation)	-25 °C ... 70 °C
Ambient temperature (storage/transport)	-40 °C ... 70 °C
Ambient temperature (assembly)	-10 °C ... 40 °C
Resistance to oil	yes

Standards and regulations

Flame resistance	yes
Resistance to oil	yes

FOC-V14-C1ZNI-B/SJFP - FO connectors

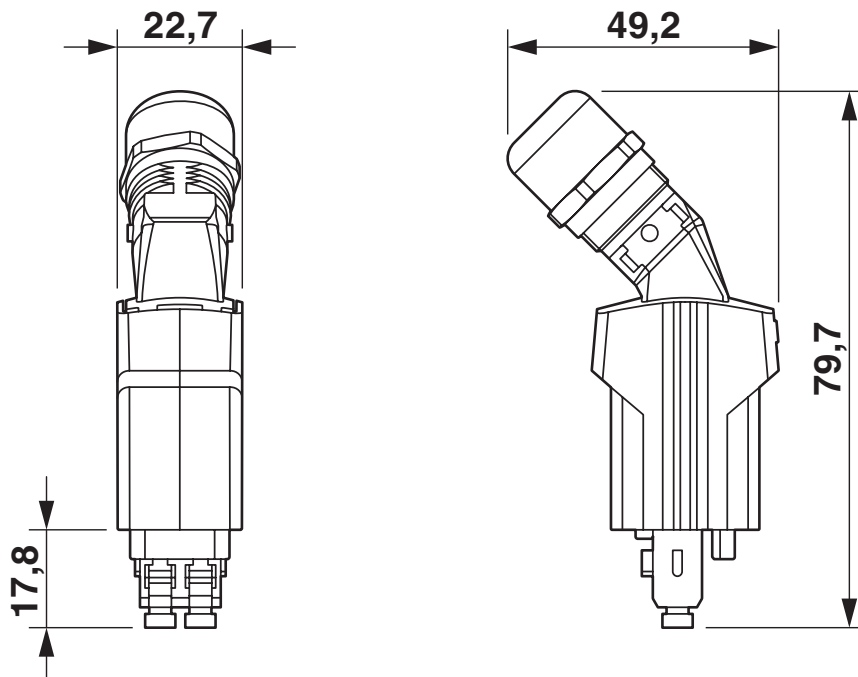


1407902

<https://www.phoenixcontact.com/us/products/1407902>

Drawings

Dimensional drawing



FOC-V14-C1ZNI-B/SJFP - FO connectors



1407902

<https://www.phoenixcontact.com/us/products/1407902>

Approvals



EAC

Approval ID: B.01687



UL Listed

Approval ID: E308814-20180830

1407902

<https://www.phoenixcontact.com/us/products/1407902>

Classifications

ECLASS

ECLASS-10.0.1	19170122
ECLASS-11.0	19170122
ECLASS-12.0	19170122
ECLASS-13.0	19170122

ETIM

ETIM 8.0	EC001122
----------	----------

UNSPSC

UNSPSC 21.0	43223300
-------------	----------

FOC-V14-C1ZNI-B/SJFP - FO connectors



1407902

<https://www.phoenixcontact.com/us/products/1407902>

Environmental Product Compliance

China RoHS	Environmentally friendly use period: unlimited = EFUP-e
	No hazardous substances above threshold values

FOC-V14-C1ZNI-B/SJFP - FO connectors



1407902

<https://www.phoenixcontact.com/us/products/1407902>

Accessories

VS-SCRJ-POF-KONFTOOL-POLISH - FO accessories

1658820

<https://www.phoenixcontact.com/us/products/1658820>



SC-RJ polishing tool set, for polymer fiber, for field assembly of the SC-RJ connector (IP20/IP67) with fast connection technology, with stripping tool, diagonal cutter, aramid scissors, polishing materials, microscope, 2x SC-RJ connector IP20

VS-PPC-F1-PC-POBK - Protective cover

1405316

<https://www.phoenixcontact.com/us/products/1405316>



Protective cover, IP65, with push-pull locking for covering the contact insert in the push-pull connector for RJ45 and SC-RJ, plastic

FOC-V14-C1ZNI-B/SJFP - FO connectors

1407902

<https://www.phoenixcontact.com/us/products/1407902>



FOC-V14-F1ZNI-EM/SJB - Panel mounting frames

1413964

<https://www.phoenixcontact.com/us/products/1413964>



SC-RJ panel mounting frame, IP67, for push-pull interlocking, metal, for rectangular mounting cutout, with seal and mounting screws, incl. SC-RJ coupling

Phoenix Contact 2023 © - all rights reserved

<https://www.phoenixcontact.com>

Phoenix Contact USA
586 Fulling Mill Road
Middletown, PA 17057, United States
(+717) 944-1300
info@phoenixcon.com