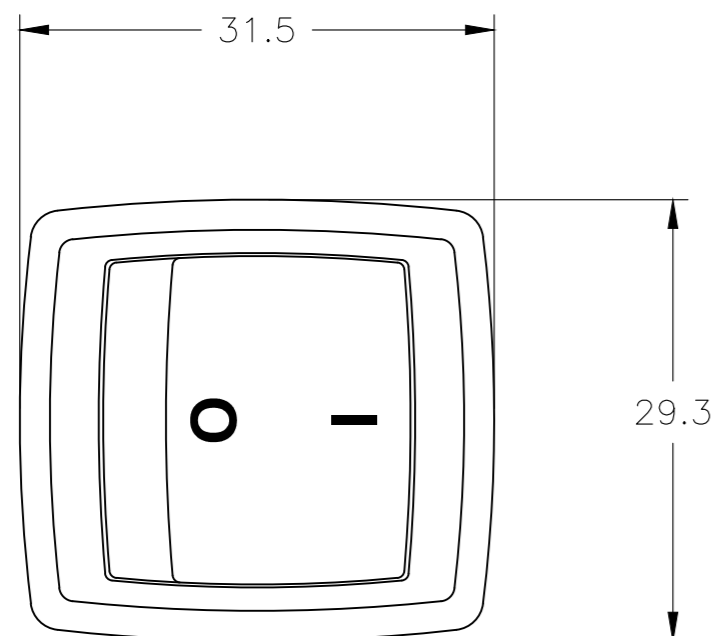
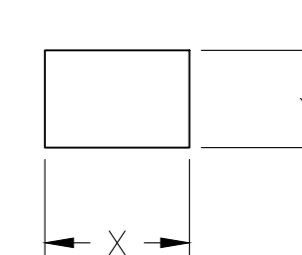


THIS DRAWING IS UNPUBLISHED. RELEASED FOR PUBLICATION
 © COPYRIGHT - By - ALL RIGHTS RESERVED.

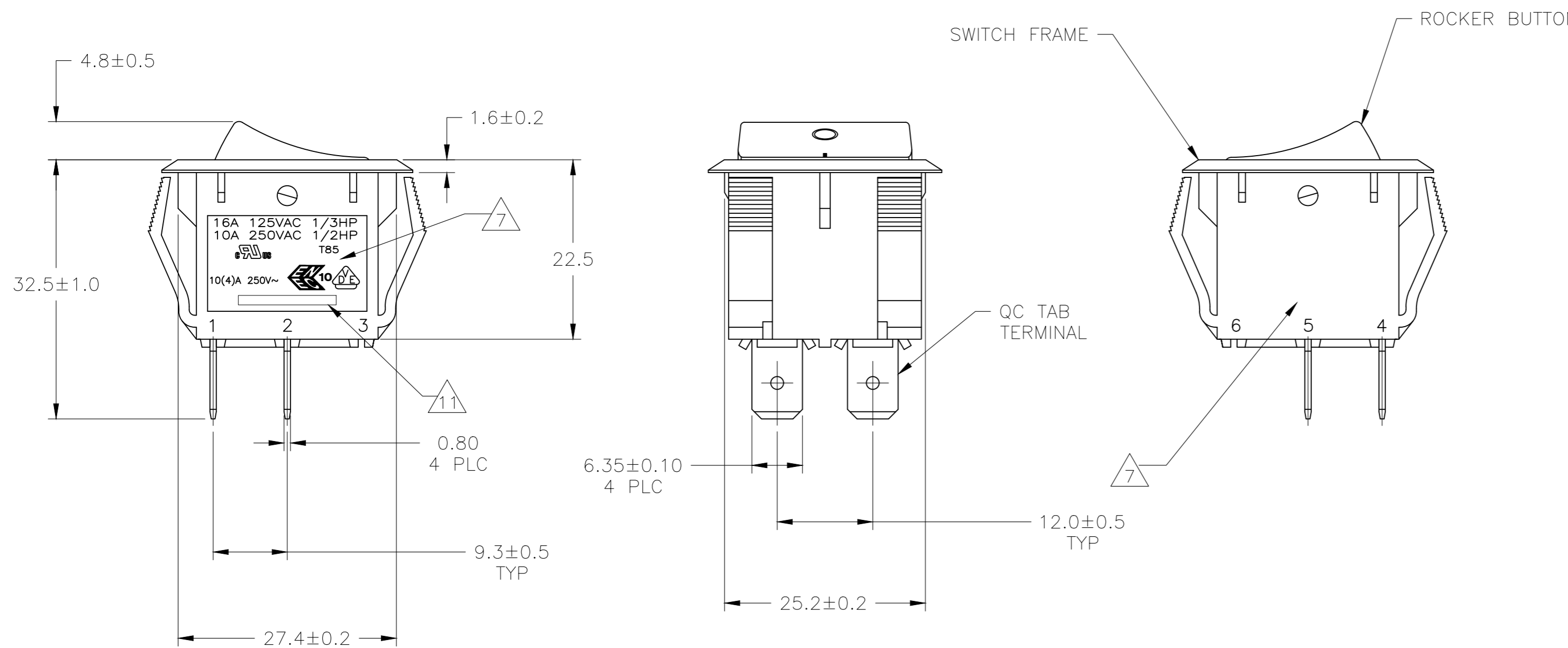
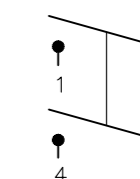
REVISIONS					
P	LTR	DESCRIPTION	DATE	DWN	APVD
	F1	REVISED PER ECO-10-005254	18MAR10	HMR	NE
	F2	REVISED PER ECO-16-017354	10MAR2017	RK	AS

PANEL CUT OUT



5.00-6.30	28.6-0.1	25.4+0.1
3.00-5.00	28.0-0.1	25.4+0.1
0.75-3.00	27.6-0.1	25.4+0.1
PANEL THICKNESS	X	Y

SWITCH FUNCTION A1
CIRCUIT DIAGRAM



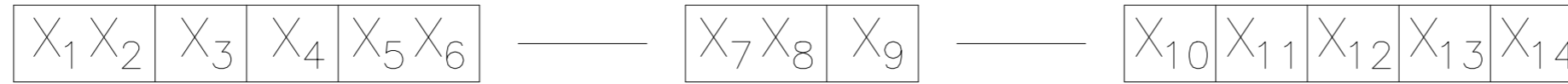
OBsolete 1571103=2 SHOWN

THIS DRAWING IS A CONTROLLED DOCUMENT.		DWN BSV	07APR04	TE Connectivity	
DIMENSIONS: MM		CHK J.MOSIER	-		
TOLERANCES UNLESS OTHERWISE SPECIFIED:		APVD JP	-	NAME POWER ROCKER SWITCH, 25.4mmX27.6mm PANEL SIZE, DPST 4 TERMINALS, NON-ILLUMINATED	
0 PLC ± -		PRODUCT SPEC		NOT APPLICABLE	
1 PLC ± 0.30		APPLICATION SPEC		NOT APPLICABLE	
2 PLC ± 0.05		WEIGHT		A2 00779 C-1571103	
3 PLC ± -		SCALE		2:1	
4 PLC ± -		SHEET		1 of 2	
ANGLES ± -		REV		F2	
FINISH		CUSTOMER DRAWING			

THIS DRAWING IS UNPUBLISHED. RELEASED FOR PUBLICATION
 © COPYRIGHT - By - ALL RIGHTS RESERVED.

REVISIONS				
P	LTR	DESCRIPTION	DATE	APVD
-	-	SEE SHEET 1	-	-

LEGACY PART NUMBER



SWITCH TYPE: X1X2 = PR - POWER ROCKER

SECONDARY ROCKER COLOR: X12 = Ø - NOT APPLICABLE

NOMINAL PANEL CUT OUT SIZE: X3 = D - 25.4x27.6

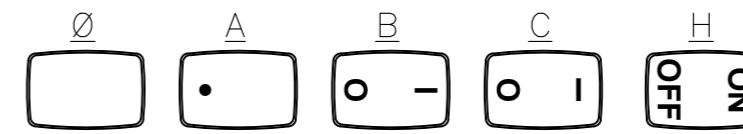
NUMBER OF POLES: X4 = D - DOUBLE

SWITCH FUNCTION: X5X6 = A1 - ON-OFF, WITH OPAQUE, SINGLE-COLOR ROCKER BUTTON.

LEGEND TEXT PATTERN: X13 =

CURRENT RATING: X7X8 = 16 - △6

TERMINAL TYPE: X9 = E - QC TAB



FRAME COLOR: X10 = B - BLACK
W - WHITE

LEGEND TEXT COLOR: X14 = Ø - NOT APPLICABLE

ROCKER COLOR: X11 = B - BLACK
G - GREEN
R - RED
W - WHITE

G - GREEN
R - RED
B - BLACK
W - WHITE

1

MATERIALS:
 ROCKER BUTTON & HOUSING: NYLON 66, UL 94 V-2.
 TERMINAL, ACTIVE CONTACTOR: COPPER ALLOY PER ASTM B152/B152M
 PLUNGER: COPPER ALLOY PER ASTM B036
 SPRING: STEEL WIRE PER ASTM A228/A228M
 CONTACT: SILVER-TIN OXIDE

5. **ENVIRONMENTAL SPECIFICATIONS:**
 AMBIENT TEMPERATURE: -20°C TO +85°C
 HUMIDITY: MAX 85%
 SALT SPRAY: NO REMAKABLE RUST IN METAL PARTS (5%SALT / 35°C 24HRS)
 SHOCK: NO MECHANICAL DEFECT OR DAMAGE (100g / 10MSEC/ X,Y,Z 3 TIMES)
 VIBRATION: NO MECHANICAL DEFECT OR DAMAGE (10-55Hz /1.5mm/ X,Y,Z 2HRS)

2

FINISH:
 TERMINAL, ACTIVE CONTACTOR: 1.0µm MIN SILVER
 PLUNGER: 3.0µm MIN NICKEL

6. UL: 16A@125VAC 1/3HP / 10A@250VAC 1/2HP
 ENEC: 10(4)A 250V~

7

ELECTRICAL RATINGS, APPROVED AGENCY LOGOS, TERMINAL IDENTIFICATION NUMBERS, AND THE TYCO/ELECTRONICS LOGO MOLDED APPROXIMATELY AS SHOWN ON THE SIDES OF THE SWITCH HOUSING.

3

ELECTRICAL SPECIFICATIONS:
 CURRENT & VOLTAGE △6
 CONTACT RESISTANCE (INITIAL): <50mΩ
 DIELECTRIC STRENGTH (INITIAL): >1000 VAC, 1 MINUTE
 INSULATION RESISTANCE (INITIAL): >100MΩ MIN (500VDC BETWEEN OPEN CONTACTS)
 INRUSH CURRENT: 50A / 3msec (CAPACITIVE LOAD)
 ELECTRICAL LIFE ENDURANCE: >6000 OPERATIONS,
 TEMPERATURE RISE AT TERMINALS: <30°C, 6000 OPERATIONS
 (AMBIENT CONDITIONS: 25±2°C AND 65±5%RH)

8. COMPONENT RECOGNIZED TO US & CANDIAN STANDARDS.
 UL FILE NO. E46765

9. COMPONENT-RECOGNIZED TO EUROPEAN STANDARDS
 (ENEC & VDE) MARKS LICENSE NO 40020317

10. ROHS 2002/95/EC COMPLIANT

11

TYCO ELECTRONICS LOGO LOCATED APPROXIMATELY AS SHOWN

OBSOLETE	PRDDA1-16F-BR0HW	5-1571103-6
	PRDDA1-16F-BR000	5-1571103-4
	PRDDA1-16F-BB0HW	1571103-5
	PRDDA1-16F-BB0CW	1571103-3
OBSOLETE	PRDDA1-16F-BB0BW	1571103-2
	PRDDA1-16F-BB000	1571103-1
LEGACY PART NUMBER		PART NUMBER

4

MECHANICAL SPECIFICATIONS:
 ACTUATING FORCE: 850g MIN, 1250g MAX
 OPERATING LIFE ENDURANCE: >100,000 OPERATIONS
 TERMINAL STRENGTH : >10.0kg- QC TAB

THIS DRAWING IS A CONTROLLED DOCUMENT.		DWN BSV	07APR04	STE TE Connectivity	
DIMENSIONS: MM		CHK J.MOSIER	-		
TOLERANCES UNLESS OTHERWISE SPECIFIED:		APVD JP	-	NAME POWER ROCKER SWITCH, 25.4mmX27.6mm PANEL SIZE, DPST 4 TERMINALS, NON-ILLUMINATED	
0 PLC ± -		PRODUCT SPEC		SIZE	
1 PLC ± 0.30		NOT APPLICABLE		CAGE CODE	DRAWING NO
2 PLC ± 0.05		APPLICATION SPEC		RESTRICTED TO	
3 PLC ± -		NOT APPLICABLE		A2	00779
4 PLC ± -		WEIGHT		C-1571103	
ANGLES ± -		CUSTOMER DRAWING		SCALE	SHEET
FINISH		SCALE 2:1		2 of 2	REV F2

Mouser Electronics

Authorized Distributor

Click to View Pricing, Inventory, Delivery & Lifecycle Information:

[TE Connectivity:](#)

[PRDDA1-16F-BB000](#)