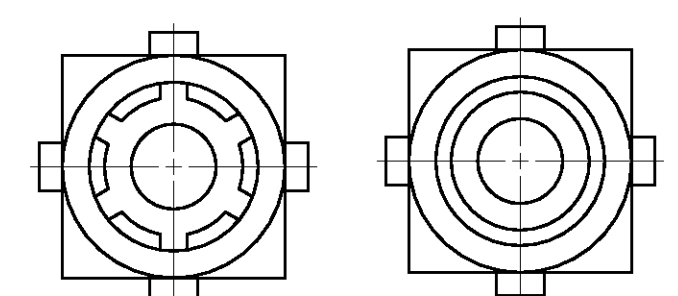
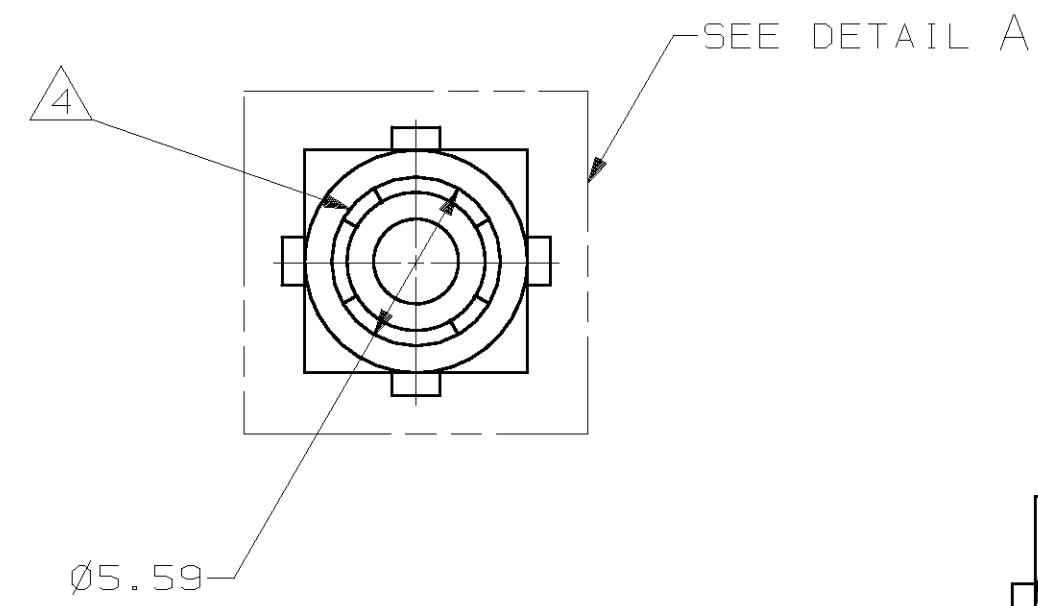
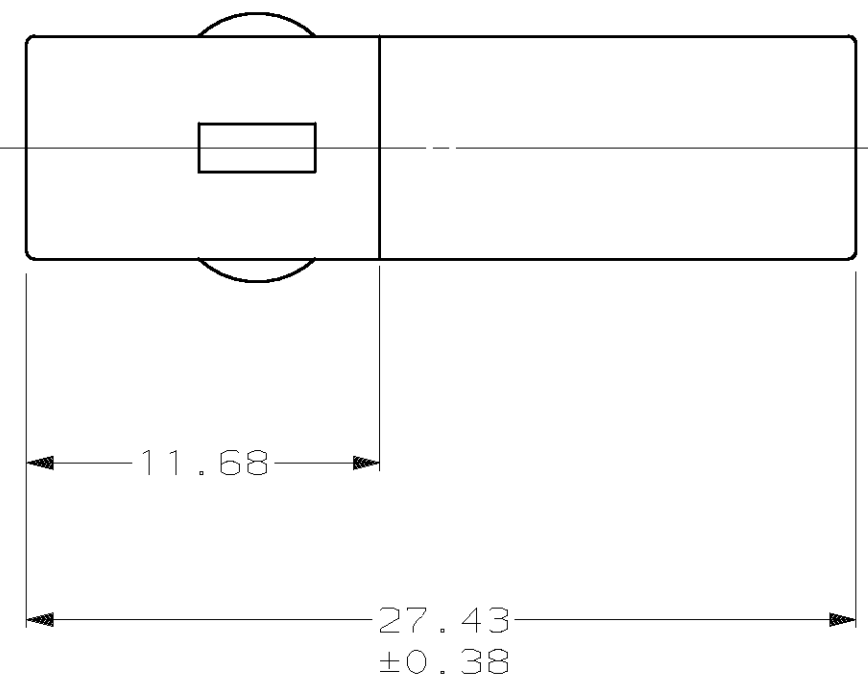
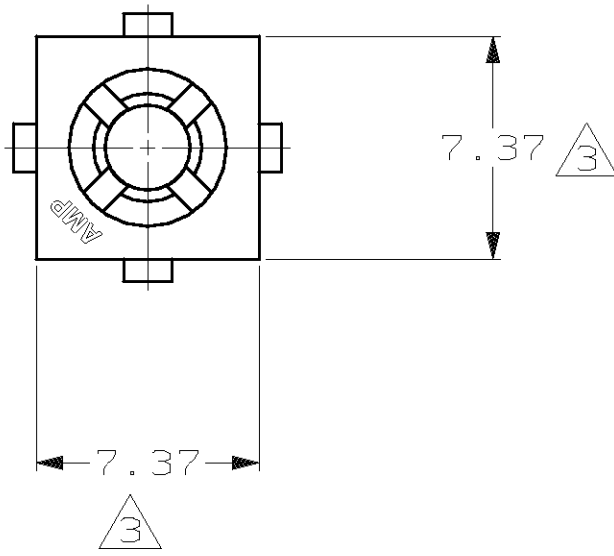


THIS DRAWING IS UNPUBLISHED. RELEASED FOR PUBLICATION, 19 .
 © COPYRIGHT 19 BY AMP INCORPORATED. ALL INTERNATIONAL RIGHTS RESERVED.

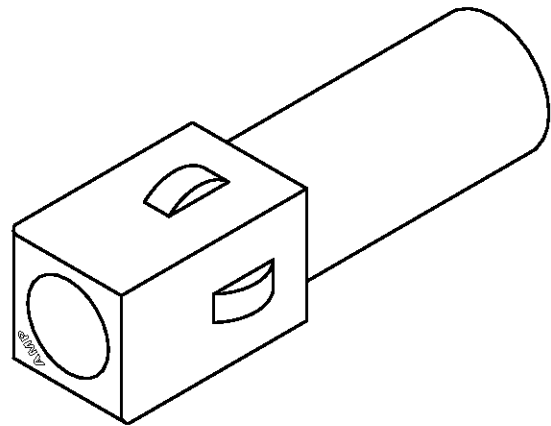
LOC		DIST		REVISIONS			
ZONE	LTR	DESCRIPTION	DATE	APPD			
CM	53			R	REV PER EC	061B-0184-98	10-15-98 JH RS

- MATES WITH APPROPRIATE UNIVERSAL MATE-N-LOK™ CAP.
- SMALL NICKS ARE PERMITTED ON THE CIRCUIT TOWER WHICH COULD INCREASE THE INITIAL HOUSING MATING FORCE BY UP TO 2.2 NEWTONS [.5 LBS].

- △3 DIMENSION INDICATED IS AS MOLDED. ADDITIONAL GROWTH DUE TO SUBSEQUENT MOISTURE ABSORPTION MAY OCCUR.
- △4 FOUR RIBS EQUALLY SPACED, NO SPECIFIC ORIENTATION. NO RIBS OR SIX RIBS EQUALLY SPACED, NO SPECIFIC ORIENTATION, OPTIONAL.



DETAIL A
OPTIONAL CONSTRUCTION



3-DIMENSIONAL MODEL
NTS

MM	IN
27.43	1.080
11.68	.460
7.37	.290
5.59	.220
0.38	.015
0.13	.005
MM	IN

CONVERSION TABLE

METRIC

DO NOT SCALE PRINT. UNLESS SPECIFIED DIMENSIONS IN mm [INCHES] TOLERANCES ON : 2 PLC DEC ± 0.13 3 PLC DEC ± - ANGLES ± 0°30'		DR 3-9-92 K. WHITAKER	350865-1 PART NO	
MATERIAL NYLON, UL 94V-0	CHK 3-9-92 R. SWING	AMP AMP Incorporated Harrisburg, PA 17105-3608		
FINISH -	APPD 3-10-92 D. SELF	NAME PLUG, SINGLE CIRCUIT, UNIVERSAL MATE-N-LOK™		
APPLICATION SPEC -	APPD 3-10-92 D. SELF	SIZE C 00779	DRAWING NO 350865	
WEIGHT -	PRODUCT SPEC -	SCALE 4:1	SHEET 1 OF 1	