

966066-1 ✓ ACTIVE

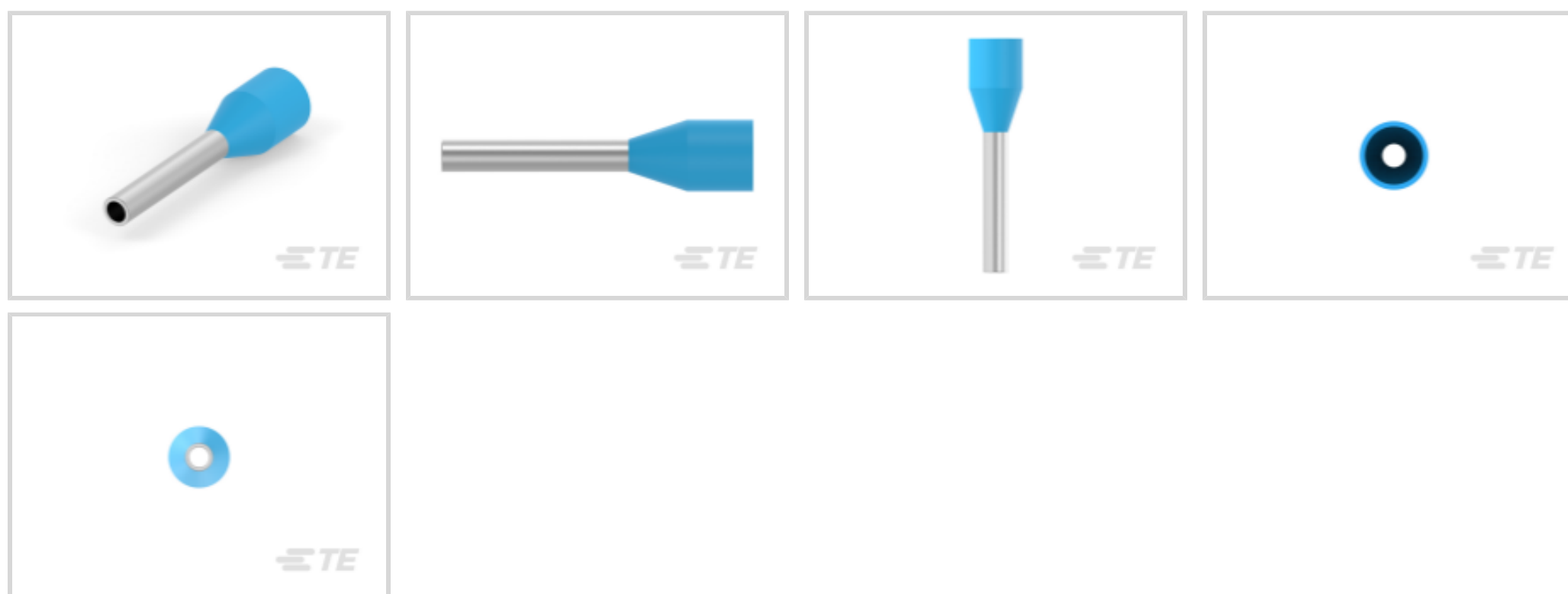
TE Internal #: 966066-1

Crimp Wire Pins, Tabs & Ferrules, Ferrule, 23 AWG Wire Size, .25 mm<sup>2</sup> Wire Size, 509 CMA Wire Size, .07 in [1.8 mm] Barrel Inside Diameter, Closed

[View on TE.com >](#)



Terminals & Splices > Crimp Wire Pins, Tabs & Ferrules



Crimp Wire Pin, Tab & Ferrule Terminal Type: **Ferrule**

Accepts Wire Insulation Diameter Range: **1.7 mm [ .06 in ]**

Wire Size: **509 CMA**

## Features

### Product Type Features

Sealable	No
Compatible With Discrete Wire Type	Stranded

### Configuration Features

Compatible With Wire & Cable Type	Discrete Wire
-----------------------------------	---------------

### Body Features

Double Wire	No
-------------	----

### Contact Features

Terminal Length	6 mm [.234 in]
Crimp Wire Pin, Tab & Ferrule Terminal Type	Ferrule
Barrel Type	Closed
Terminal Plating Material	Tin
Terminal Orientation	Straight

### Mechanical Attachment

Wire Insulation Support	Without
-------------------------	---------

### Dimensions

--	--



2-Wire Size	23 AWG
Strip Length	8 mm[.315 in]
Accepts Wire Insulation Diameter Range	1.7 mm[.06 in]
Wire Size	509 CMA
Barrel Inside Diameter	1.8 mm[.07 in]
Terminal Material Thickness	.15 mm[.005 in]
Overall Product Length	10 mm[.4 in]

### Usage Conditions

Insulation Requirement	Partially Insulated
Operating Temperature Range	105 °C[221 °F]

### Operation/Application

Heavy Duty	No
------------	----

### Packaging Features

Packaging Quantity	500
Packaging Method	Box

### Other

Barrel Color	Light Blue
--------------	------------

## Product Compliance

[For compliance documentation, visit the product page on TE.com>](#)

EU RoHS Directive 2011/65/EU	Compliant
EU ELV Directive 2000/53/EC	Compliant
China RoHS 2 Directive MIIT Order No 32, 2016	No Restricted Materials Above Threshold
EU REACH Regulation (EC) No. 1907/2006	Current ECHA Candidate List: JUL 2021 (219) Candidate List Declared Against: JUL 2021 (219) Does not contain REACH SVHC
Halogen Content	Low Halogen - Br, Cl, F, I < 900 ppm per homogenous material. Also BFR/CFR/PVC Free
Solder Process Capability	Not applicable for solder process capability

#### Product Compliance Disclaimer

This information is provided based on reasonable inquiry of our suppliers and represents our current actual knowledge based on the information they provided. This information is subject to change. The part numbers that TE has identified as

EU RoHS compliant have a maximum concentration of 0.1% by weight in homogenous materials for lead, hexavalent chromium, mercury, PBB, PBDE, DBP, BBP, DEHP, DIBP, and 0.01% for cadmium, or qualify for an exemption to these limits as defined in the Annexes of Directive 2011/65/EU (RoHS2). Finished electrical and electronic equipment products will be CE marked as required by Directive 2011/65/EU. Components may not be CE marked. Additionally, the part numbers that TE has identified as EU ELV compliant have a maximum concentration of 0.1% by weight in homogenous materials for lead, hexavalent chromium, and mercury, and 0.01% for cadmium, or qualify for an exemption to these limits as defined in the Annexes of Directive 2000/53/EC (ELV). Regarding the REACH Regulation, the information TE provides on SVHC in articles for this part number is based on the latest European Chemicals Agency (ECHA) 'Guidance on requirements for substances in articles' posted at this URL: <https://echa.europa.eu/guidance-documents/guidance-on-reach>

## Compatible Parts



TE Part # 539660-1  
ADERENDHUELSEN-HNDZ



TE Part # 6-1579014-5  
HT FOR CABLE-END SLEEVES FRONT  
0,08-16



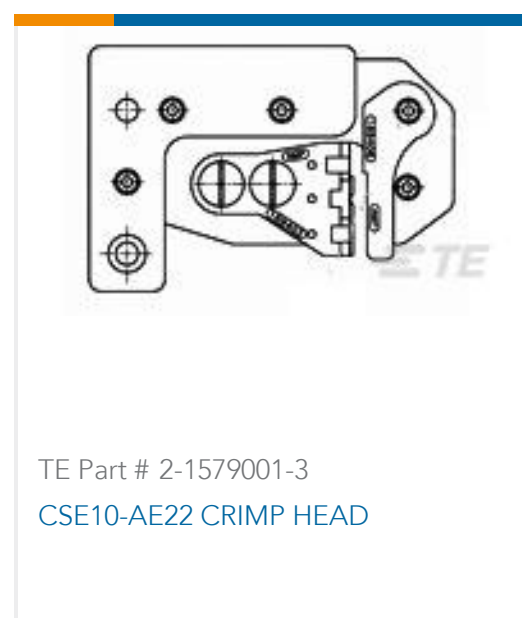
TE Part # 7-1579014-0  
HT FOR CABLE-END SLEEVES 0,08-10



TE Part # 1SET191003R0000  
FER-SE-HT

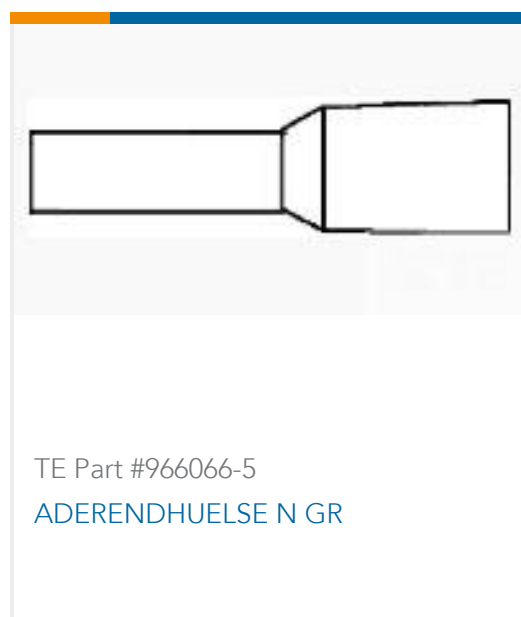


TE Part # 1SET191004R0000  
FER-FL-HT

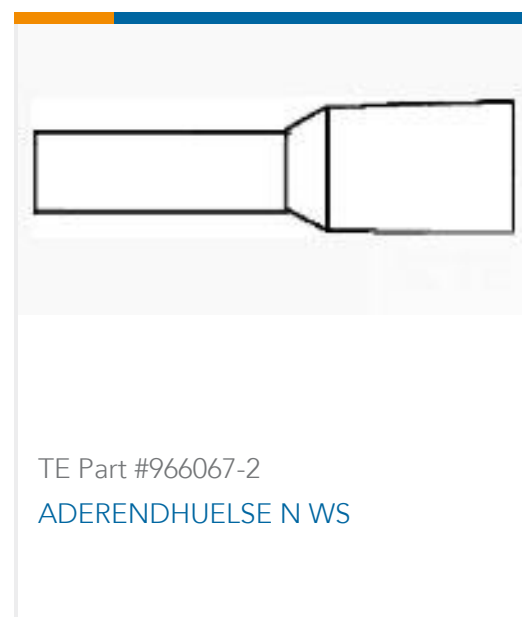


TE Part # 2-1579001-3  
CSE10-AE22 CRIMP HEAD

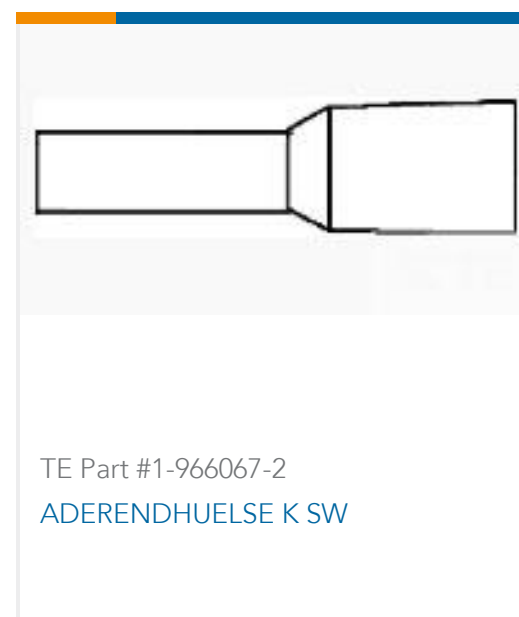
## Customers Also Bought



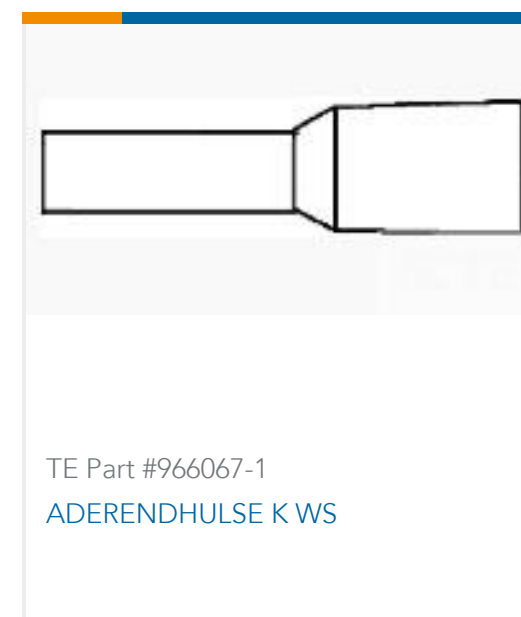
TE Part #966066-5  
ADERENDHUELSE N GR



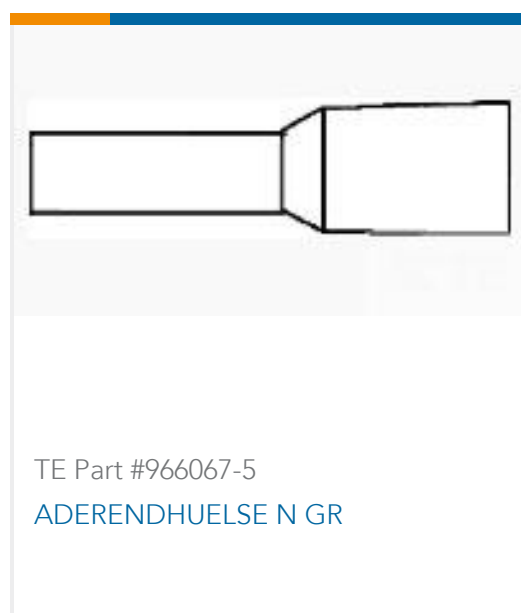
TE Part #966067-2  
ADERENDHUELSE N WS



TE Part #1-966067-2  
ADERENDHUELSE K SW



TE Part #966067-1  
ADERENDHULSE K WS



TE Part #966067-5  
ADERENDHUELSE N GR



TE Part #1-1377173-3  
SMP 0-0160300-0



TE Part #6-969982-8  
AMPMODU II Action Pin Header, dual  
row



TE Part #1624108-4  
3640 0402 1.5nH +/-0.2nH 10K RL



## Documents

### Product Drawings

[ADERENDHUELSE N BL](#)

English

### CAD Files

[3D PDF](#)

3D

Customer View Model

[ENG\\_CVM\\_CVM\\_966066-1\\_C.2d\\_dxf.zip](#)

English

Customer View Model

[ENG\\_CVM\\_CVM\\_966066-1\\_C.3d\\_igs.zip](#)

English

Customer View Model

[ENG\\_CVM\\_CVM\\_966066-1\\_C.3d\\_stp.zip](#)

English

Customer View Model

[ENG\\_CVM\\_966066-1\\_C2.3d\\_igs.zip](#)

English

Customer View Model

[ENG\\_CVM\\_966066-1\\_C2.3d\\_stp.zip](#)

English

Customer View Model

[ENG\\_CVM\\_966066-1\\_C2.2d\\_dxf.zip](#)

English

[3D PDF](#)

English

By downloading the CAD file I accept and agree to the [Terms and Conditions](#) of use.

### Datasheets & Catalog Pages

[Wire Ferrules](#)

English

[WIRE END FERRULES](#)

English



[Agency Approvals](#)

[CSA Certificate](#)

English