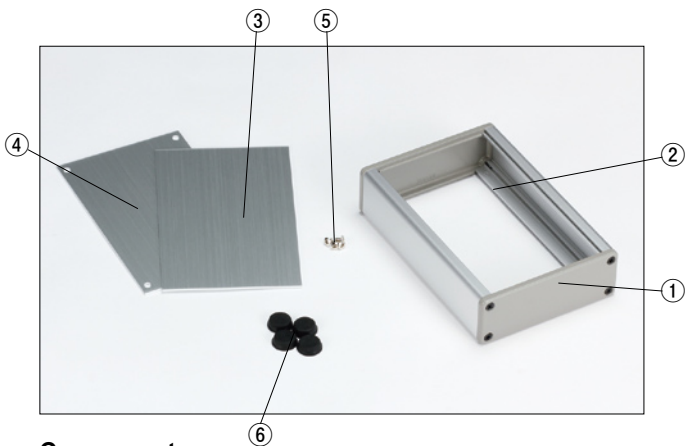


# CH SERIES

## CH CONTROL BOX



### FEATURE

- Simple design and high-strength with aluminium die-cast and aluminium extrusion.
- Both slide in panel and screwed panel can be used as front panel.

### Components

Ref. #	Part name	Pcs	Material	Color / Finish
1	Side plate	2	Die-cast aluminium	Black · Gray painted
2	Frame	2	Aluminium extrusion	Silver · Black / Anodized
3	Slide panel	1	Aluminium t1.5	Black painted
			Aluminium t1.5	Silver anodized hair-line finish
4	Screwed panel	1	Aluminium t1.5	Black painted
			Aluminium t1.5	Silver anodized hair-line finish
5	Screw	1 set	Steel	Black trivalent chromate · Nickel plated
6	Rubber feet	4	Rubber	Black

### Part no. / Dimensions

Part no.	W	H	D	a	Weight(kg)
CH4- 7-10□□	70	36.5	100.5	60	0.15
CH4-10-10□□	100	36.5	100.5	90	0.20
CH4-15-10□□	150	36.5	100.5	140	0.27
CH4-20-10□□	200	36.5	100.5	190	0.35
CH4-25-10□□	250	36.5	100.5	240	0.42
CH6- 8-14□□	80	55	140	68	0.25
CH6-11-14□□	110	55	140	98	0.31
CH6-16-14□□	160	55	140	148	0.41
CH6-22-14□□	220	55	140	208	0.53
CH6-29-14□□	290	55	140	278	0.67

• Please suffix color code at the end of part number □□ when ordering CH series.

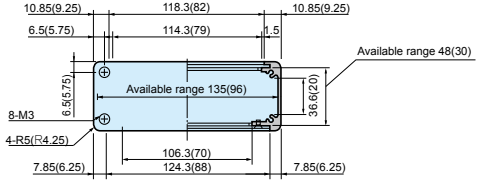
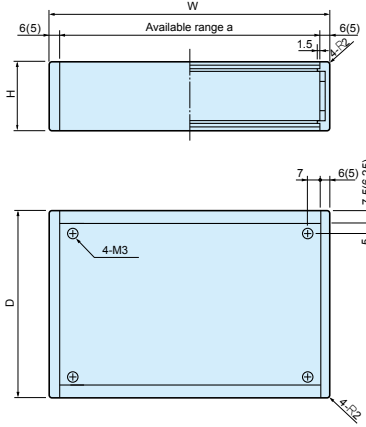
Part no.	W	H	D	a	Weight(kg)
CH7- 9-17□□	90	65.5	168.5	74	0.50
CH7-12-17□□	120	65.5	168.5	104	0.58
CH7-17-17□□	170	65.5	168.5	154	0.72
CH7-25-17□□	250	65.5	168.5	234	0.94
CH7-33-17□□	330	65.5	168.5	314	1.16
CH8-15-23□□	150	75	230	134	0.74
CH8-25-23□□	250	75	230	234	1.06
CH8-33-23□□	330	75	230	314	1.31
CH8-43-23□□	430	75	230	414	1.63

**CH Dimensions**

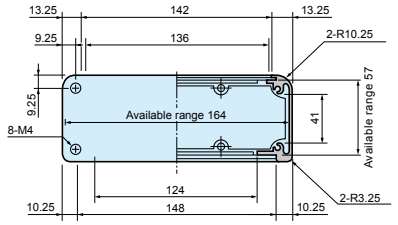
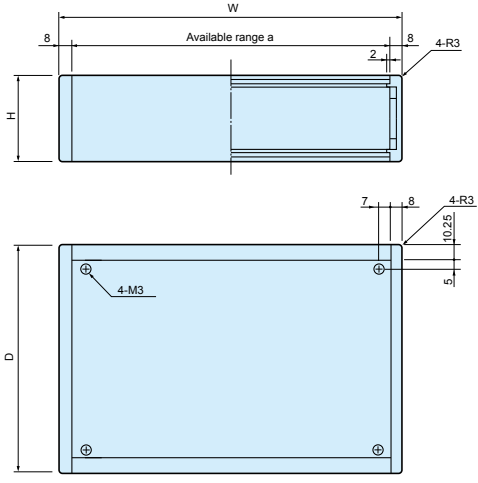
• CAD data is downloadable from our web.

**CH4-□-10 Series**  
**CH6-□-14 Series**

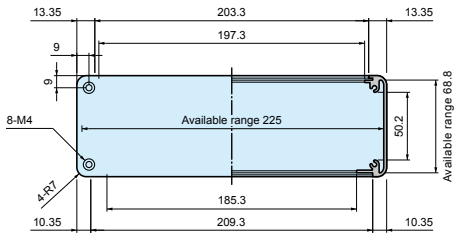
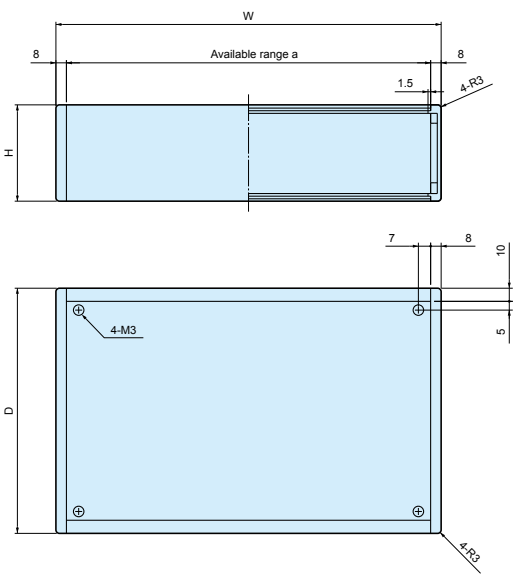
( ) = dimension of CH4-□-10



**CH7-□-17 Series**



**CH8-□-23 Series**



**Color Type**

Color code	Side plate	Frame	Panel
BB	Black	Black	Black
GS	Gray	Silver	Silver