

THIS DRAWING IS UNPUBLISHED.

RELEASED FOR PUBLICATION

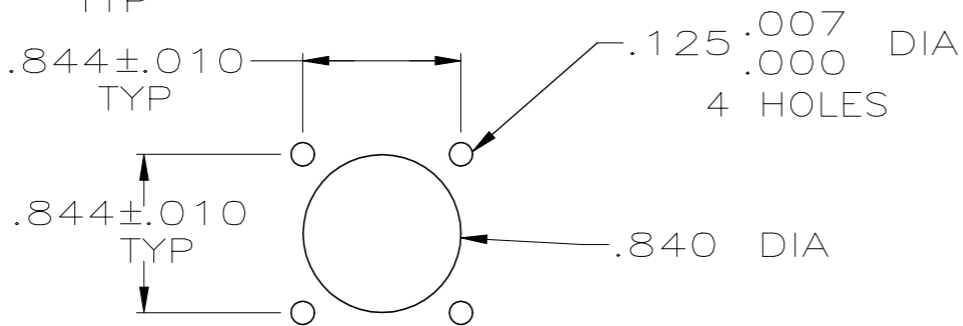
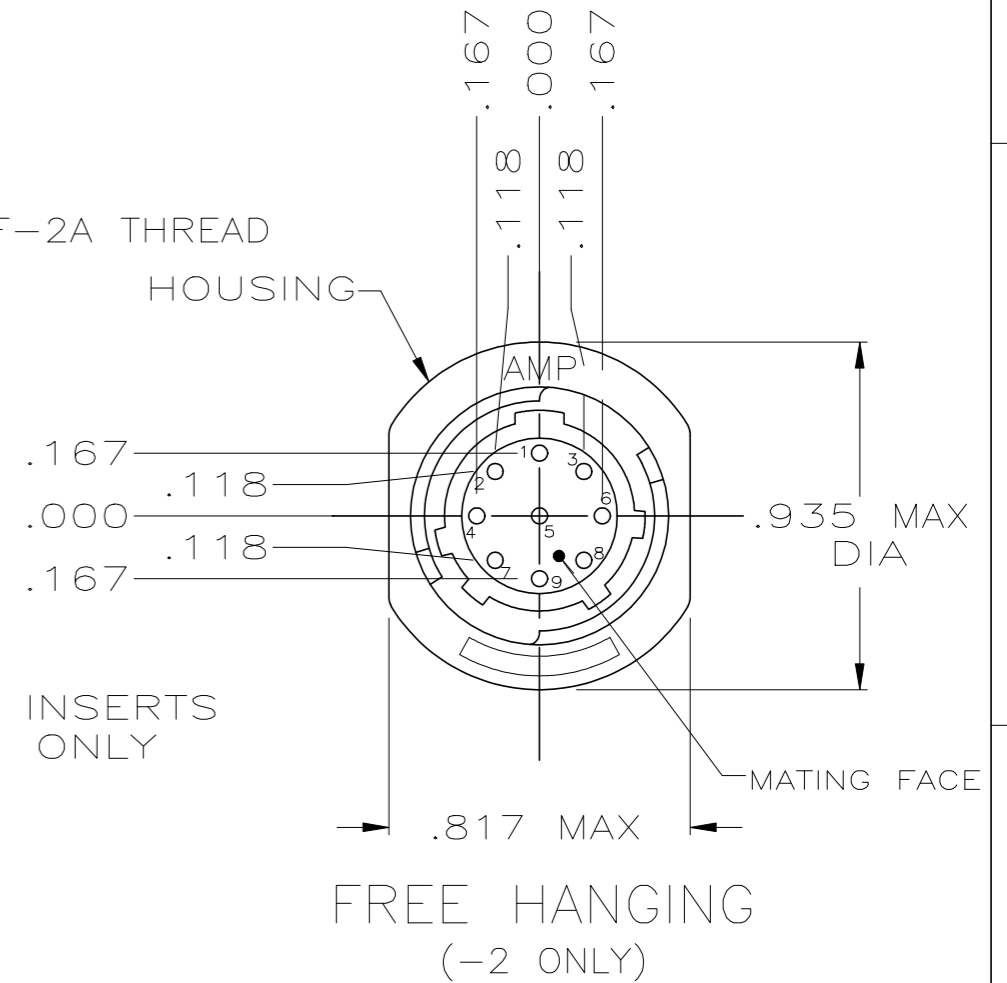
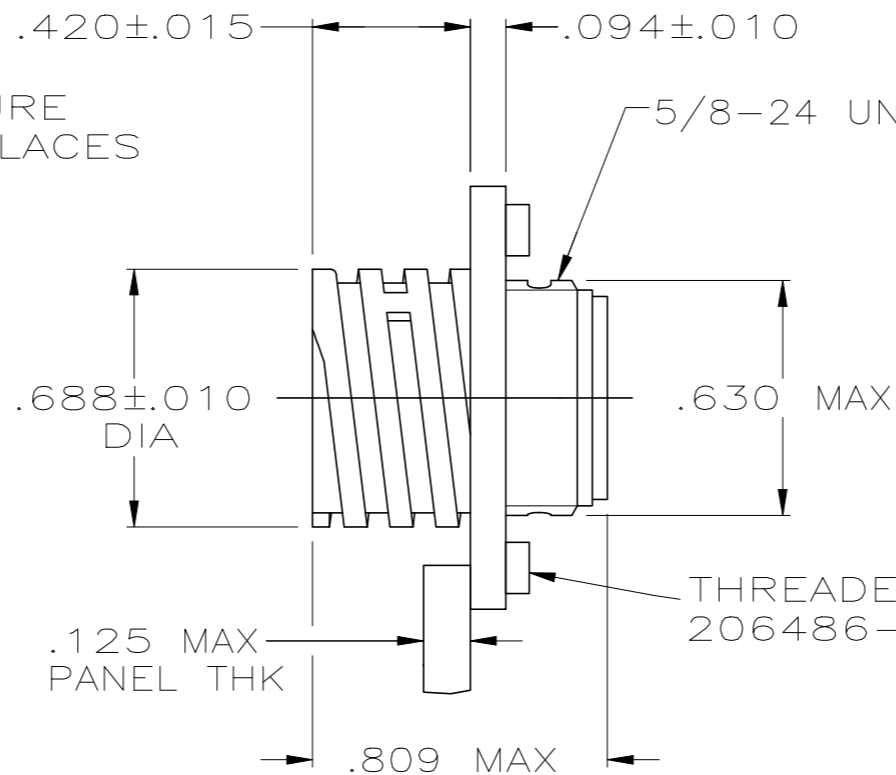
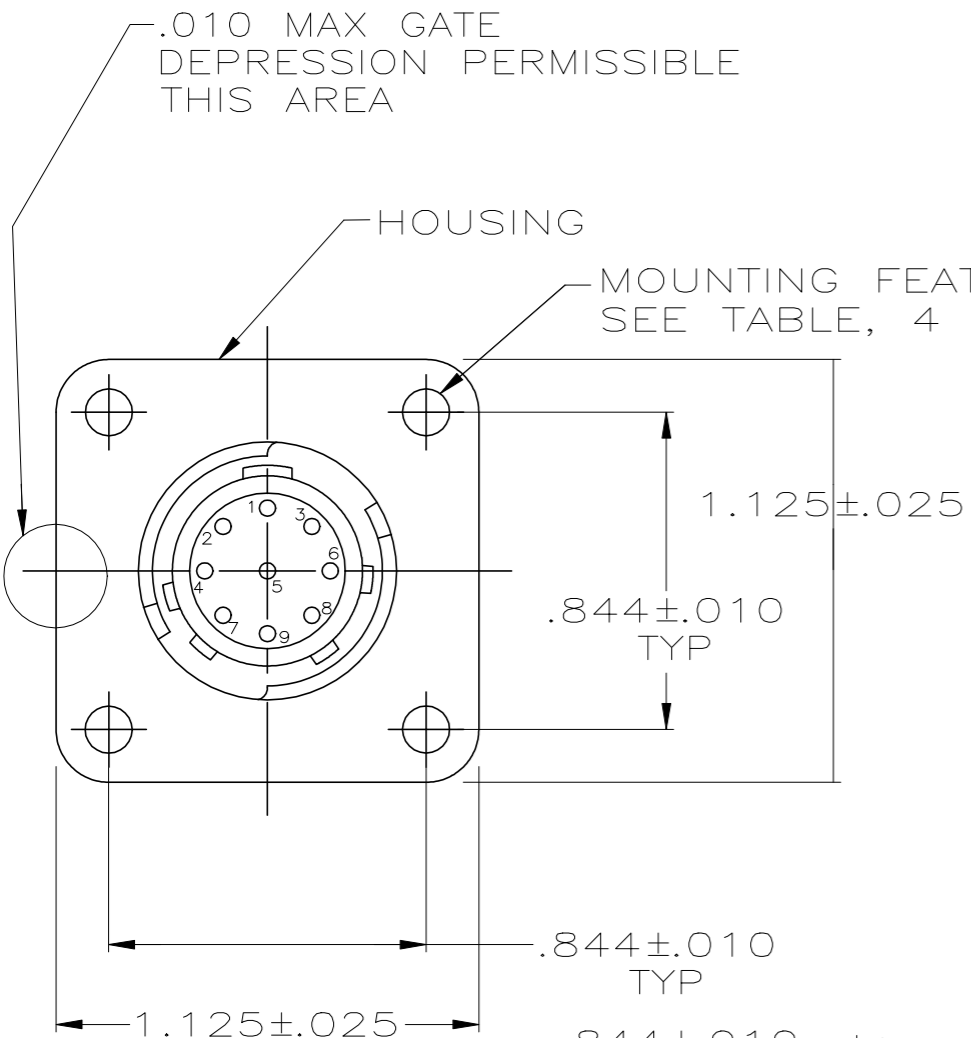
--

© COPYRIGHT - By -

ALL RIGHTS RESERVED.

REVISIONS

P	LTR	DESCRIPTION	DATE	DWN	APVD
	K1	REVISED PER ECO-11-004587	11MAR11	RK	HMR
	L	REVISED PER ECO-19-014836	21OCT2019	RS	MZ



PANEL CUTOUT SCALE 1:1


#4-40 THREADED INSERTS	206486-6
ø.125 HOLES	206486-2
ø.125 HOLES	206486-1
MOUNTING FEATURE	PART NUMBER

1. CONTACT CAVITIES IDENTIFIED BY CHARACTERS ON FRONT AND REAR FACES OF CONNECTOR.

2. WILL ACCEPT (9) SIZE 20 PIN CONTACTS.



MATERIALS:
HOUSINGS: PA 66, BLACK
THREADED INSERT: BRASS

THIS DRAWING IS A CONTROLLED DOCUMENT.		DWN	A.STAUB BG	4/1/91	 TE Connectivity												
DIMENSIONS: INCHES		CHK	W.G.LENKER	7-27-92													
TOLERANCES UNLESS OTHERWISE SPECIFIED:		APVD	K.BEAVER	7-27-92													
<table border="1"> <tbody> <tr><td>0 PLC</td><td>± -</td></tr> <tr><td>1 PLC</td><td>± -</td></tr> <tr><td>2 PLC</td><td>± -</td></tr> <tr><td>3 PLC</td><td>± .005</td></tr> <tr><td>4 PLC</td><td>± -</td></tr> <tr><td>ANGLES</td><td>± -</td></tr> </tbody> </table>		0 PLC	± -	1 PLC	± -	2 PLC	± -	3 PLC	± .005	4 PLC	± -	ANGLES	± -	NAME		RECEPTACLE ASSEMBLY, STD SEX, SERIES 2, 11-9, CPC	
0 PLC	± -																
1 PLC	± -																
2 PLC	± -																
3 PLC	± .005																
4 PLC	± -																
ANGLES	± -																
MATERIAL		PRODUCT SPEC		RESTRICTED TO													
FINISH		APPLICATION SPEC		SIZE													
-		-		A3													
-		WEIGHT		CAGE CODE													
-		-		00779													
-		CUSTOMER DRAWING		DRAWING NO													
-		-		C=206486													
-		SCALE		SHEET													
-		2:1		1 OF 1													
-		REV		L													

Mouser Electronics

Authorized Distributor

Click to View Pricing, Inventory, Delivery & Lifecycle Information:

[TE Connectivity:](#)

[206486-2](#)