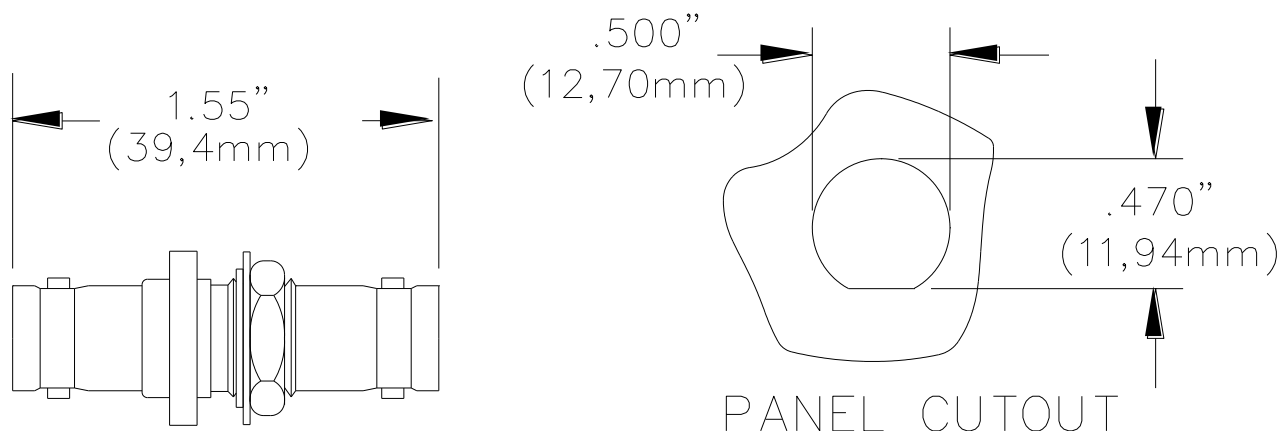


Model 3847**BNC Female to Female Adapter, Hermetically Sealed****Features**

- Hermetically sealed: Leakage rate less than 10^{-7} cc/sec of tracer gas at one atmosphere

Materials

Body and Fittings: Brass, Tarnish Resistant Nickel Plated
Center Contact: Beryllium Copper, Gold Plated
Dielectric: PTFE

Ratings

Voltage: For *CE compliance* and for personal safety, do not hold in hand when voltages exceed 30 Vrms/60 Vdc.
Maximum voltage for *hands free use* in controlled testing environments: 500 Vrms
Do not use on circuits where transient stresses can exceed the rated voltage.

Temperature: -65°C to +165°C
Nominal Impedance: 50 Ohm

Ordering Information

Model: 3847
BNC (F-F), HERMETICALLY SEALED

USA: Sales: 800-490-2361
Technical Support: technicalsupport@pomonatest.com
Fax: 425-446-5844

Europe: 31-(0) 40 2675 150 **International:** 425-446-5500
Where to Buy: www.pomonaelectronics.com

All dimensions are in inches. Tolerances (except noted): .xx = ± 0.02 " (.51 mm),
.xxx = ± 0.005 " (.127 mm). All specifications are to the latest revisions.
Specifications are subject to change without notice. Registered trademarks are
the property of their respective companies.