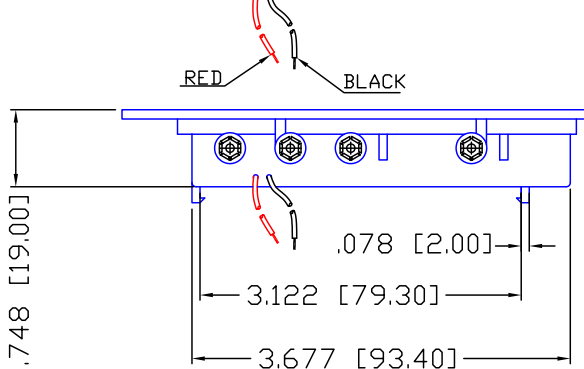
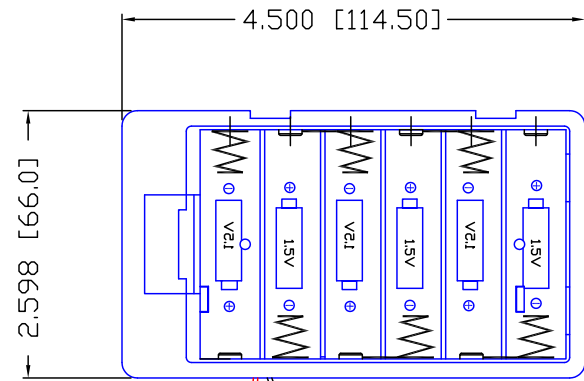
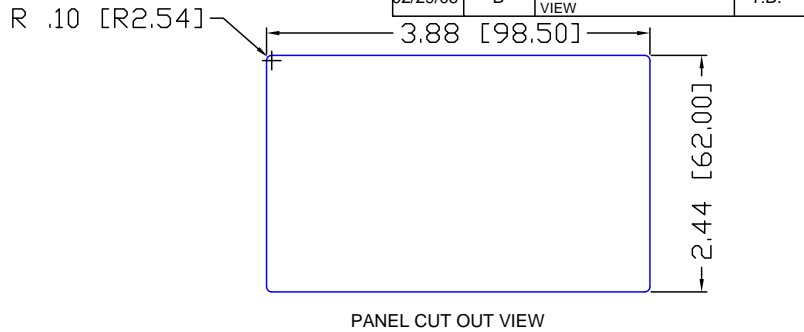


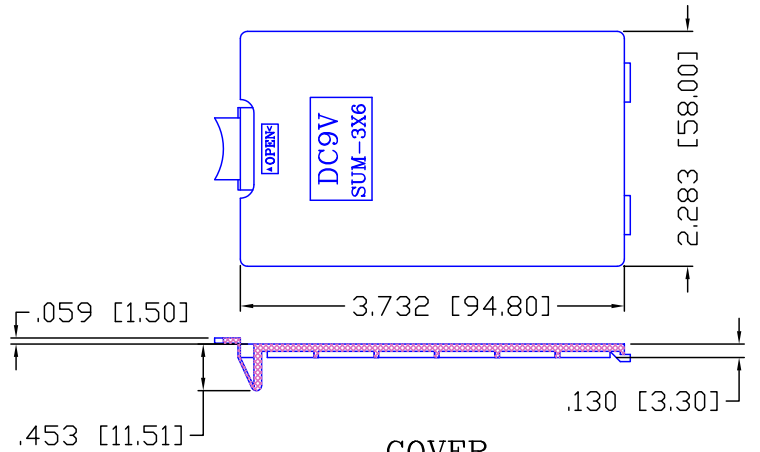
Date	SYM	REVISION RECORD	AUTH	DR.	CK.
10/22/05	A	ADDED "ROHS COMPLIANT"	T.B.	B.S.	
02/29/08	B	ADDED PANEL CUT OUT VIEW	T.B.	B.S.	



BOTTOM




PANEL CUT OUT VIEW



COVER

**SPECIFICATION**

- ITEM NO.: SBH361A
- WIRE: UL1007 AWG#26  
BLACK & RED 150MM±5MM  
STRIP & TIN 5MM±1MM
- MATERIAL: ABS RESIN, BLACK COLOR
- SPRING: 0.65MM 65C SPRING WIRE
- ROHS COMPLIANT

Tolerance (Except as noted)	 <b>Memory Protection Devices, Inc</b> 200 Broad Hollow Road, Farmingdale, New York 11735	Scale	Drawn By T.S.
decimal ± .020 (.5)		XX	Approved By T.B.
Fractional ± .030 (.8)	Title <b>6 AA PANEL MOUNT BATTERY HOLDER</b>		
Angular ± 3°	Date 02/29/08	Drawing Number <b>SBH361A</b>	