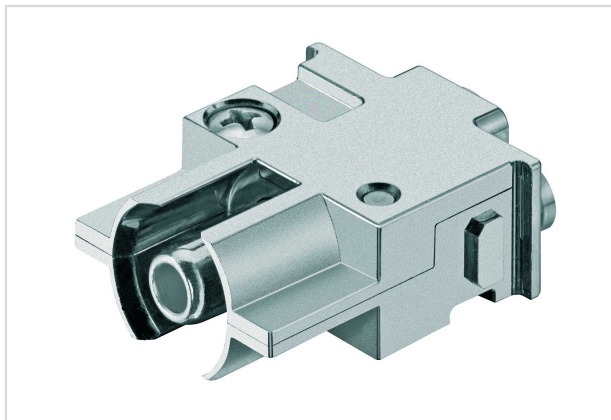


## Han PE-module male axial 10-25qmm



Part number	09 14 001 2632
Specification	Han PE-module male axial 10-25qmm
HARTING eCatalogue	<a href="https://b2b.harting.com/09140012632">https://b2b.harting.com/09140012632</a>

### Identification

Category	Modules
Series	Han-Modular®
Type of module	Han® PE module

### Version

Termination method	Axial screw termination
Gender	Male
Number of contacts	1
Pack contents	PE module with pre-assembled axial screw contact

### Technical characteristics

Conductor cross-section	10 ... 25 mm <sup>2</sup>
Contact resistance	≤0.3 mΩ
Limiting temperature	-40 ... +125 °C
Stripping length	13 mm
Tightening torque	2 Nm 6 ... 7 Nm for axial screw
Mating cycles	≥500

### Material properties

Material (insert)	Zinc die-cast, nickel-plated
Material (contacts)	Copper alloy
Surface (contacts)	Silver plated
RoHS	compliant with exemption



Pushing Performance

## Material properties

RoHS exemptions	6(c): Copper alloy containing up to 4 % lead by weight
ELV status	compliant with exemption
China RoHS	50
REACH Annex XVII substances	No
REACH ANNEX XIV substances	No
REACH SVHC substances	Yes
REACH SVHC substances	Lead

## Specifications and approvals

Specifications	IEC 61984
UL / CSA	UL 1977 ECBT2.E235076 CSA-C22.2 No. 182.3 ECBT8.E235076

## Commercial data

Packaging size	1
Net weight	78.4 g
Country of origin	Germany
European customs tariff number	85366990
eCl@ss	27440217 Module for industrial connectors (power/signals)