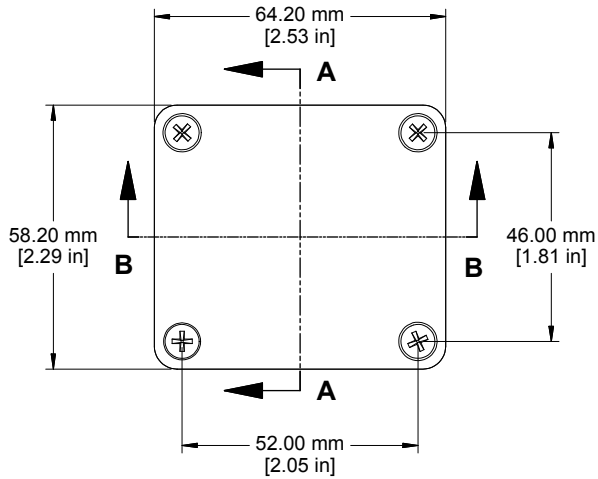
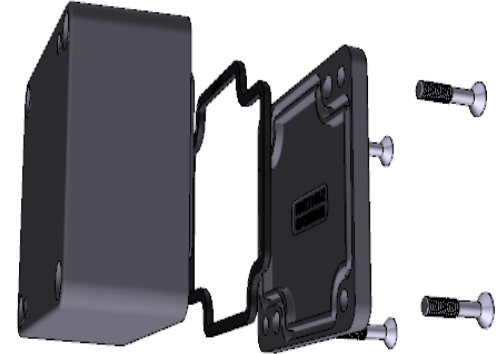
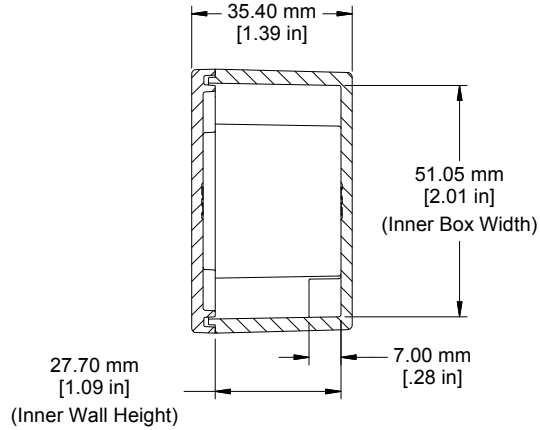


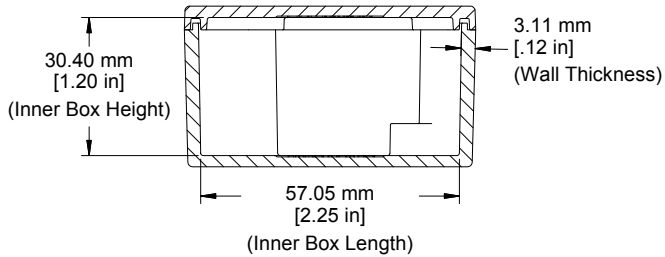
**Top View of Assembly**



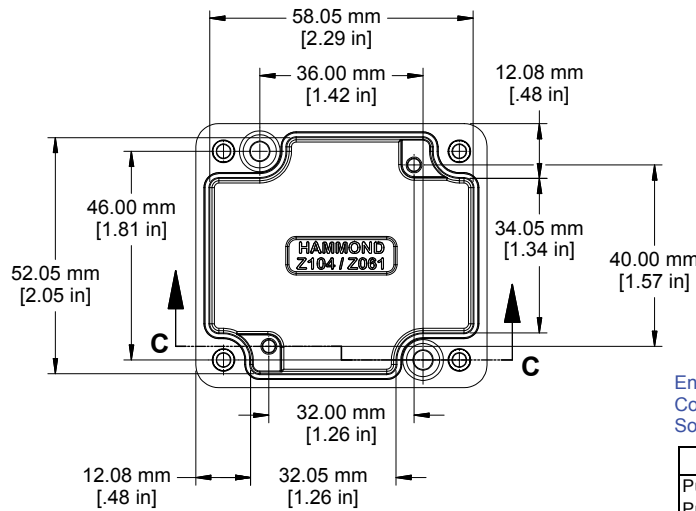
**SECTION A-A  
End View of Assembly**



**SECTION B-B  
Side View of Assembly**



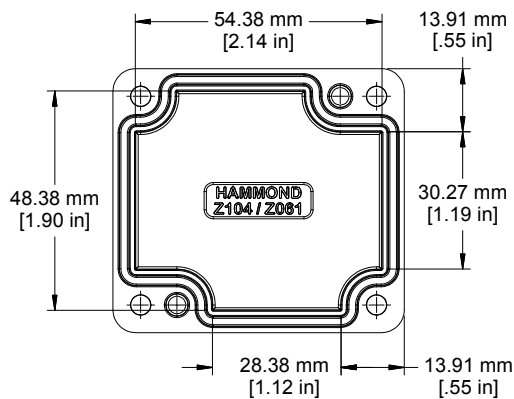
**Top View Looking Inside Box**



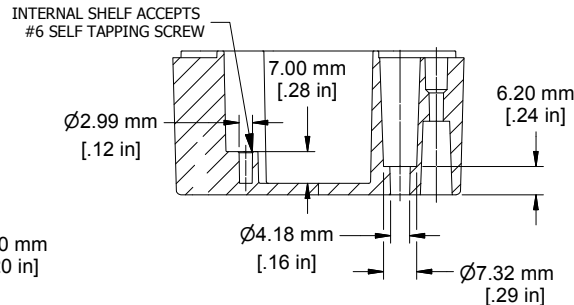
File #E71073  
NEMA 4, 4X

Enclosures can be Factory Modified ( Milling, Drilling, Printing etc.)  
Contact Factory [mjm@hammondmfg.com](mailto:mjm@hammondmfg.com) for quotes  
Solid models of this enclosure available in STEP or IGES.

**View Looking Inside Lid**



**SECTION C-C  
Side View of Box**



**NOTES**

|  |  |
|--|--|
| Purchased assembly includes enclosure, M4x20 lid screws and Pre-formed Silicone Gasket |  |
| Cover screws should be torqued to 5-7.5 lbf.in (50-75 cN.m)                            |  |

| 1550Z104                 |            |
|--------------------------|------------|
| PART NUMBERS             |            |
| Natural Finish Enclosure | 1550Z104   |
| Black Textured Enclosure | 1550Z104BK |



**HAMMOND  
MANUFACTURING™**

**1550Z104**

[www.hammondmfg.com](http://www.hammondmfg.com)