

1. Features

- Small package
- Suitable for IEEE802.3af and IEEE802.3at compliant PSEs
- Low cost
- High efficiency (>90%)
- Input voltage range 12V to 27V
- Minimal external components required
- Short-circuit and Thermal protection
- Adjustable Output (48V to 57V)
- 1500V isolation (input to output)
- Silvertel “design-in” assistance

2. Description

The Ag7100 module is a low noise DC/DC boost converter, designed to generate the higher voltages required for IEEE802.3 PSE applications from lower voltage supplies. This module provides exceptional efficiency (>90%) while providing full compatibility with the IEEE 802.3af and 802.3at power and isolation requirements.

The module accepts a wide DC voltage input range, from 12V to 27V. The input voltage is then boosted to generate the higher voltages required to power Silvertel’s PSE modules (or compatible PSE circuits). The Ag7100 provides a regulated adjustable output, of between 48V and 57V. This provides compatibility with both IEEE802.3af and the higher power POE+ 802.3at PSE standards.

Ag7100 has been designed to provide an ideal solution for powering the Silvertel Ag6100 PSE module from a vehicle battery, 12V plug-top PSU or other commonly available power supplies. Its low cost, small footprint, high efficiency and in-built isolation make it an extremely versatile DC-DC boost converter for a wide range of potential applications.

Table of Contents

1. Features	1
2. Description.....	1
Table of Contents	2
Table of Figures	2
3. Ag7100 Product Selector.....	3
4. Pin Description	4
4.1 Ag7100	5
5. Functional Description	6
5.1 Input	6
5.2 Output.....	6
5.3 Isolation	7
5.4 DC/DC Converter	7
5.5 Output Adjustment.....	7
5.6 Typical Connections	8
6. Layout Consideration.....	9
7. Operating Temperature Range	10
8. Protection	13
8.1 Output Protection.....	13
8.2 Thermal Protection	13
9. EMC.....	14
10. Electrical Characteristics.....	14
10.1 Absolute Maximum Ratings ¹	14
10.2 Recommended Operating Conditions.....	14
10.3 DC Electrical Characteristics	15
11. Package	16

Table of Figures

Figure 1: Block Diagram	3
Figure 2: Ag7100 Package Format	4
Figure 3: Typical System Diagram.....	6
Figure 4: Output Adjustment	7
Figure 5: Typical Connection Diagram.....	8
Figure 6: Layout Consideration	9
Figure 7: Ag7100 Operating Profile Input = 24V	10
Figure 8: Ag7100 Operating Profile Input = 18V	11
Figure 9: Ag7100 Operating Profile Input = 12V	11
Figure 10: Ag7100 Thermal Relief Power Planes	12
Figure 11: Ag7100 Output Protection	13

3. Ag7100 Product Selector

Part Number†	Output Voltage	Maximum Output Power *	Date code‡ and Voltage Marking
Ag7100	48V to 57V	40 Watts	WWYY A

*At 25°C with $V_{IN} = 24V$

† The Ag7100 fully meets the requirements of the RoHS directive 2011/65/EC on the restriction of hazardous substances in electronic equipment.

‡ Date code format: "WW" = Week Number, "YY" = Year.

Table 1: Ordering Information

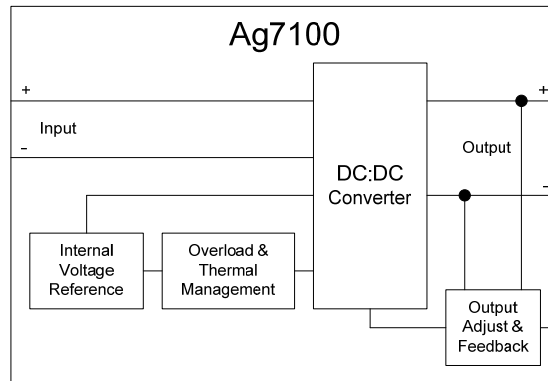


Figure 1: Block Diagram

4. Pin Description



Figure 2: Ag7100 Package Format

4.1 Ag7100

Pin #	Name	Description
1	VIN+	Direct Input +. These pins connect to the positive (+) output of the power supply.
2		
3	IC	Internal Connection. Do not connect to these pins.
4		
5		
6		
7	VIN-	Direct Input -. These pins connect to the negative (-) output of the power supply.
8		
9	+VDC	DC Output. These pins provides the regulated output from the DC/DC converter.
10		
11	ADJ	Output Adjust. The output voltage can be adjusted down from its nominal value of 57V. This can be done by connecting an external resistor from this pin to the +VDC pins.
12	-VDC	DC Return. These pin are the return path for the +VDC output.
13		

Table 2: Pin Description

5. Functional Description

5.1 Input

The Ag7100 has a wide input voltage range of 12Vdc to 27Vdc; as shown in Figure 3.

The 470 μ F 35V electrolytic connected across the Ag7100 input, is required to reduce the ripple from the supply. This value can be adjusted, depending on the quality of the power supply being used.

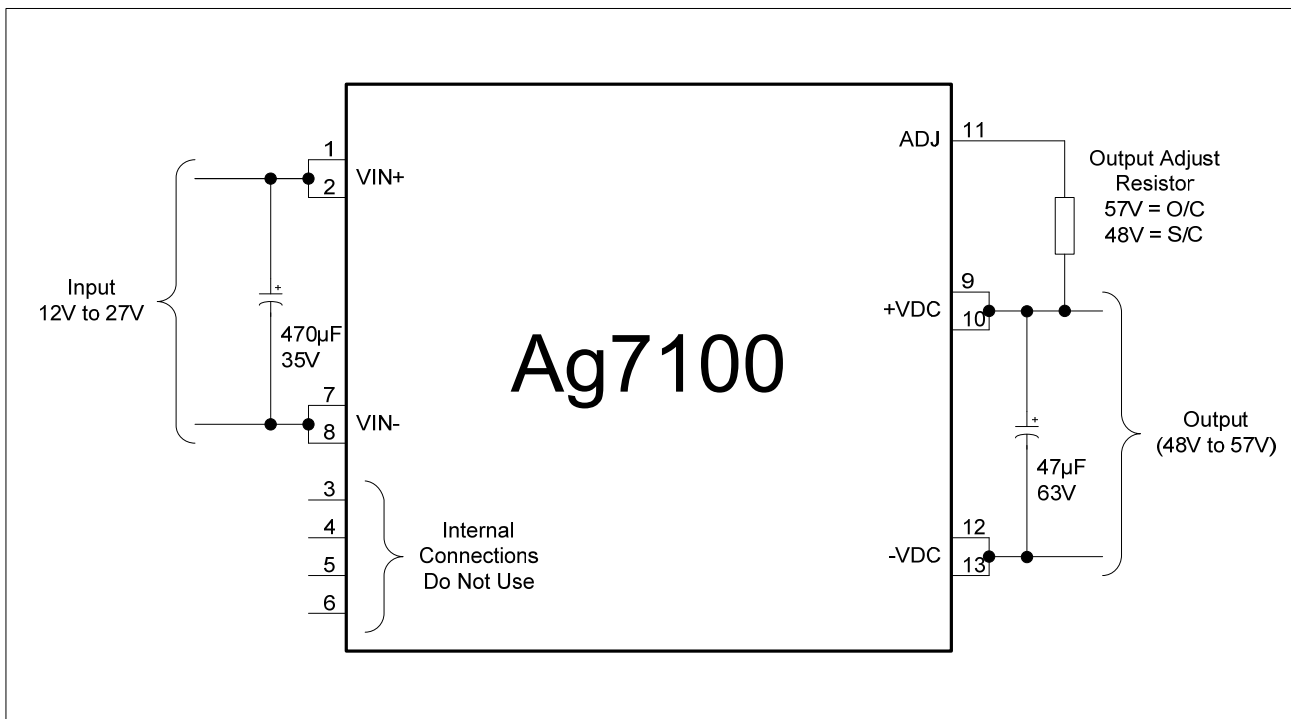


Figure 3: Typical System Diagram

5.2 Output

The Ag7100 output must have an external 47 μ F 63V electrolytic capacitor fitted. This capacitor must be fitted as close as possible to the output pins. It functions as part of the output filter and is required to reduce the DC/DC converter switching noise and output ripple.

To reduce the output ripple and noise further, we would recommend using a low ESR electrolytic. Also a low ESR capacitor is essential for operation below 0°C.

5.3 Isolation

To meet the safety isolation requirements of Power over Ethernet (PoE); the Ag7100 has been designed to meet the 1500Vdc impulse test*. It is also important that the tracks on either side of the isolation barrier also have at least a 3mm clearance, see Figure 6 in Section 6 for more information.

*Note: The impulse test is defined in the following specifications: -
IEEE802.3af section 33.4.1 option b
IEEE802.3at section 33.4.1 option c

5.4 DC/DC Converter

The Ag7100 DC/DC converter provides a regulated output that has built-in over temperature and output short-circuit protection.

5.5 Output Adjustment

The Ag7100 has a nominal output voltage of 57V. This can be adjusted down to a minimum of 48V, by fitting a resistor between the ADJ and +VDC pins, as shown in Figure 4.

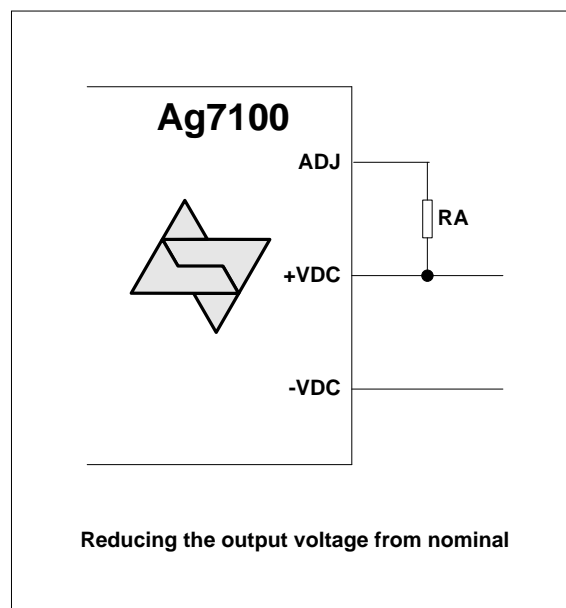


Figure 4: Output Adjustment

Reducing the output voltage, connect R between ADJ and +VDC	
Value of R	Ag7100 Output
Open Circuit	57V
0 Ohms	48V

Table 3: Output Adjustment Resistor (R) Value

5.6 Typical Connections

The Ag7100 requires minimal external components as shown in Figure 5.

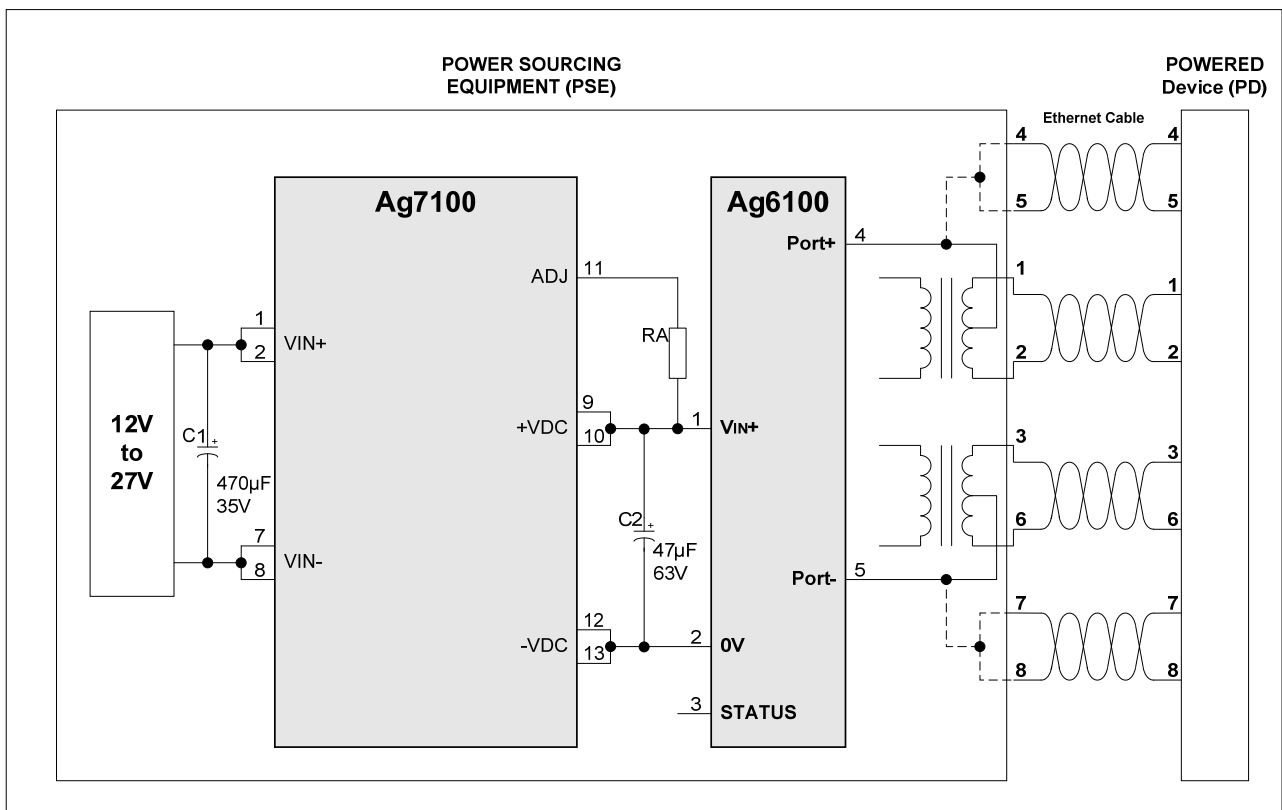


Figure 5: Typical Connection Diagram

The output adjust resistor (RA) is optional, it is provided to give greater flexibility to the Ag7100. Further information on using this pin can be found in Section 5.5.

6. Layout Consideration

Figure 6 shows our suggested board layout for the Ag7100, with reference to the typical connection diagram shown in Figure 5.

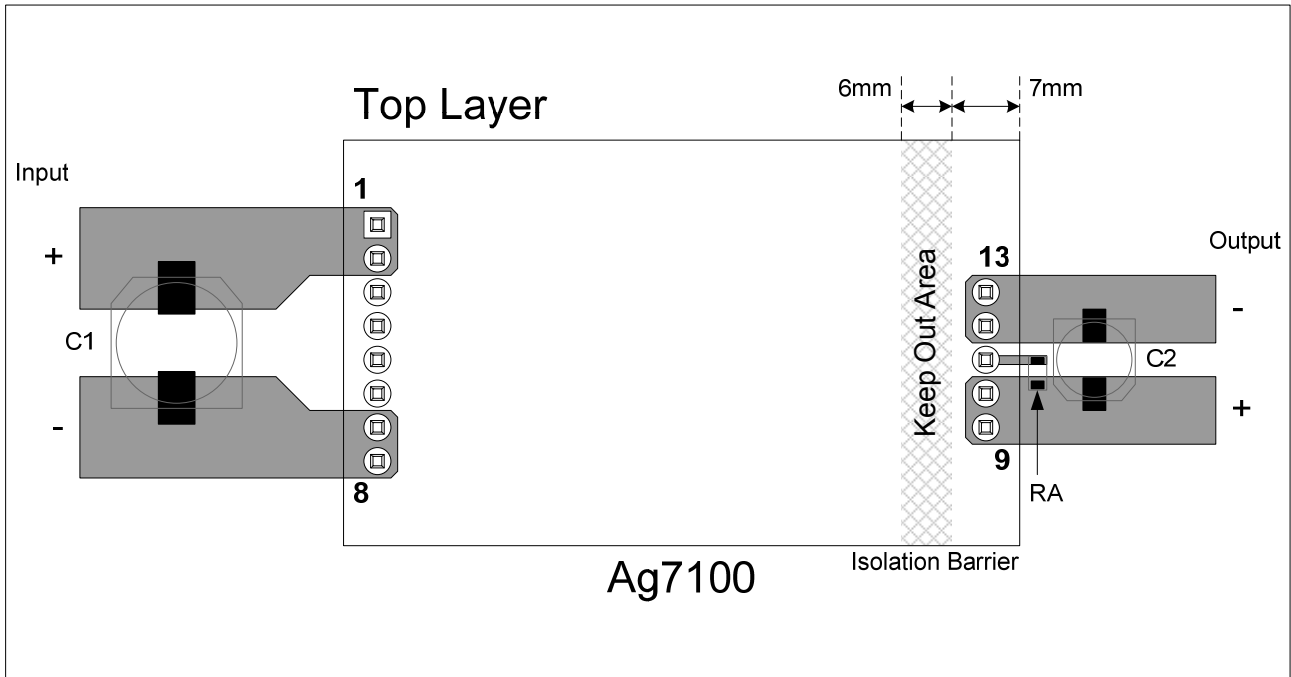


Figure 6: Layout Consideration

It is important that tracks (on the top layer) and through hole vias are not placed in the "Keep Out Area" shown in Figure 6. This area is required to maintain the integrity of the isolation barrier, described in Section 5.3.

7. Operating Temperature Range

Because the Ag7100 is a power component, it will generate heat; so it is important that this be taken into consideration at the design stage.

The heart of the Ag7100 is a DC/DC converter, which like any other power supply will generate heat. The amount of heat generated by the module will depend on the load it is required to drive and the input voltage supplied.

The Ag7100 has a maximum ambient operating temperature of 70°C; but the maximum power is limited by the input voltage, see Figures 7 to 9. These results were performed in an environment chamber - Associated Environmental System SD-302, without any heat-sinking. The performance of the Ag7100 can be improved by forcing the airflow directly over the part or by using thermal relief pads to draw heat away from the module.

The Ag7100 does have thermal protection; but it is important that the maximum operating temperature is never exceeded.

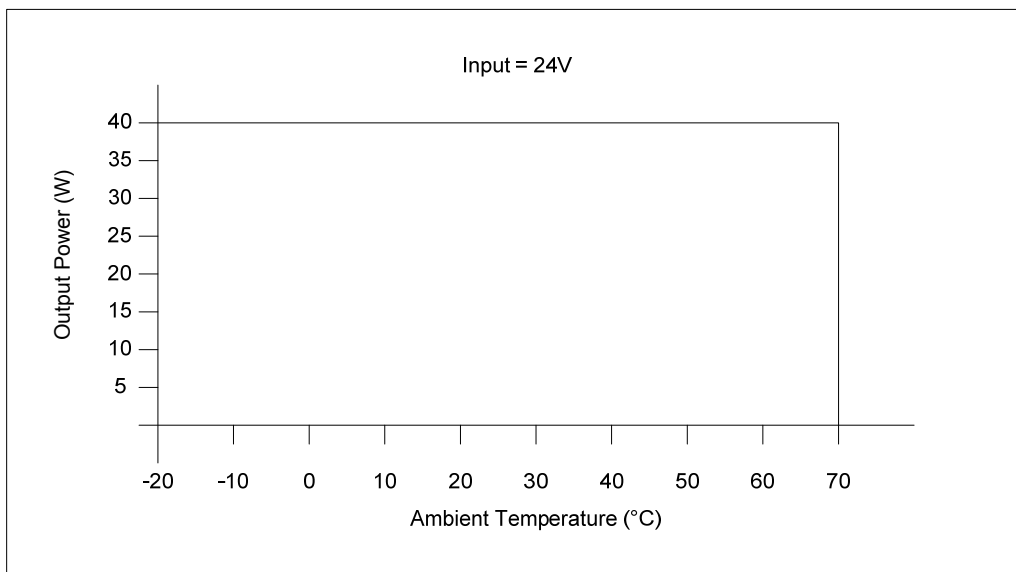


Figure 7: Ag7100 Operating Profile Input = 24V

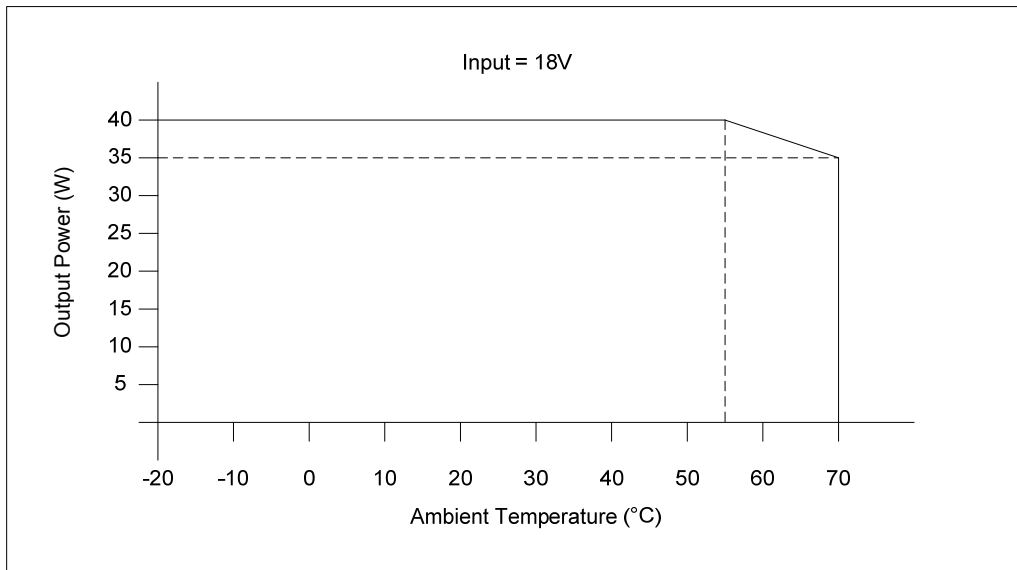


Figure 8: Ag7100 Operating Profile Input = 18V

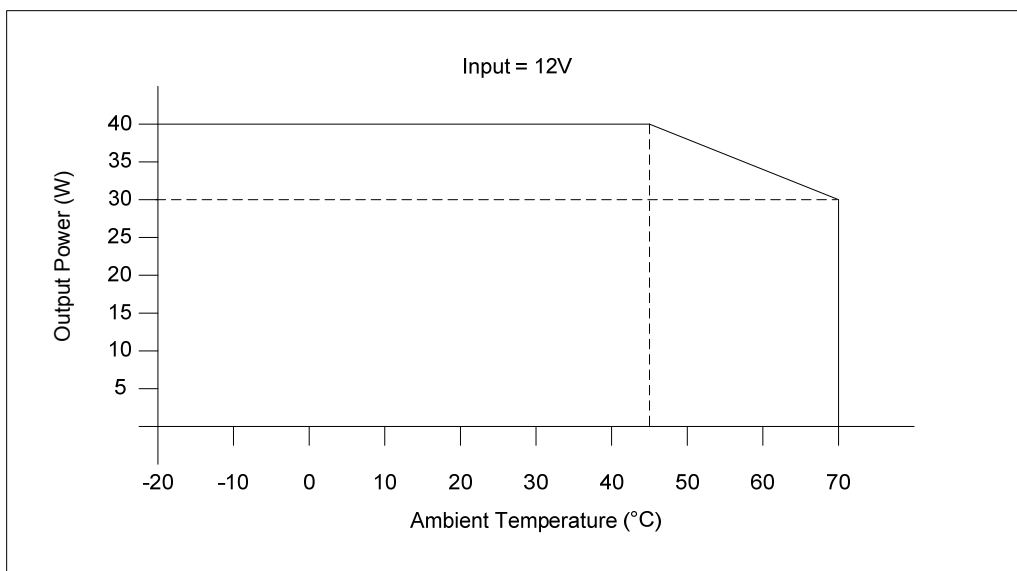


Figure 9: Ag7100 Operating Profile Input = 12V

One simple technique that can be used to draw heat away from the module is to add power planes to the input and output pins.

The Ag7100 has been designed with thermal relief pads under D2 and Q3. The use of thermal pad material placed between the module and the power planes, helps remove heat from the Ag7100, see Figure 10 for an example of this.

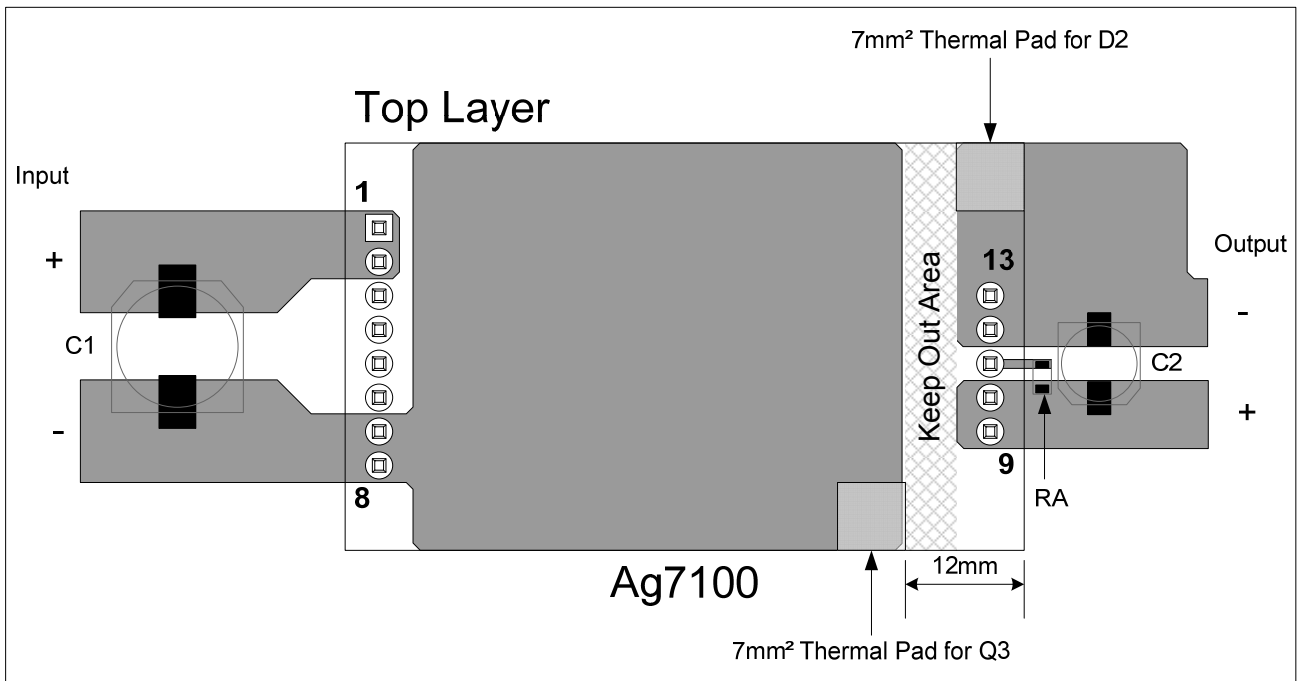


Figure 10: Ag7100 Thermal Relief Power Planes

Due to its small size, it is important that as much heat is drawn away from the module as possible. It is also important that any enclosure used has sufficient ventilation for the Ag7100 and a direct airflow if possible. But because each application is different, it is impossible to give fixed and absolute thermal recommendations.

8. Protection

8.1 Output Protection

The Ag7100 output must be protected from over-voltages exceeding the 80V maximum rated surge voltage. An inexpensive but effective solution can be achieved by connecting a Tranzorb diode across the output; see Figure 11.

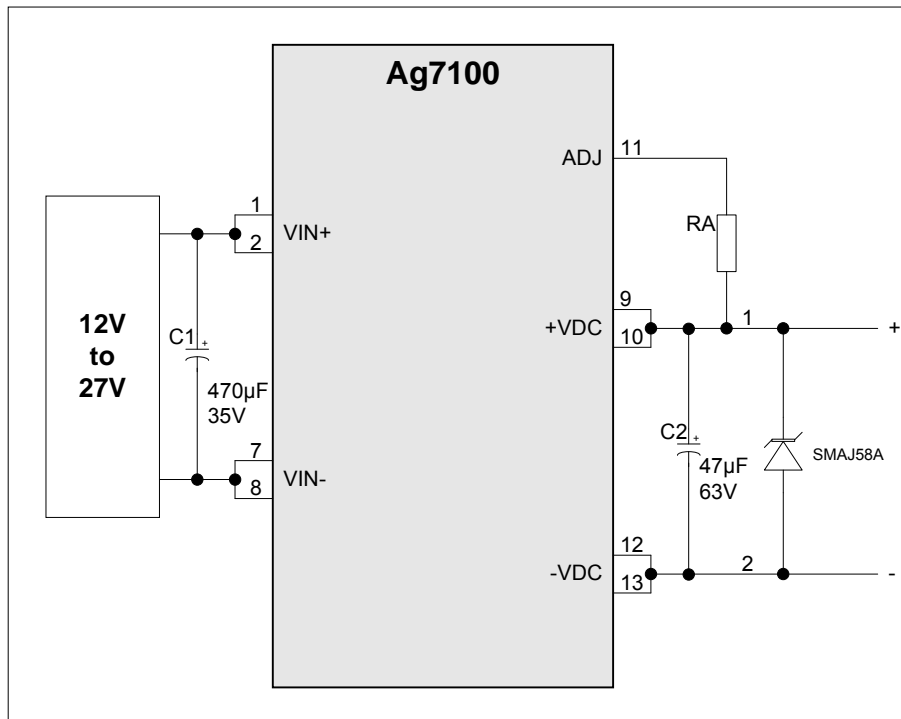


Figure 11: Ag7100 Output Protection

8.2 Thermal Protection

The Ag7100 has built-in thermal protection as standard.

When the thermal protection is tripped, the dc/dc converter will be shutdown for ~3 seconds. After this duration the dc/dc converter will be turned back on and the temperature retested. If the temperature is still too high, it will repeat this process until the temperature falls to within the modules operating parameter.

9. EMC

The Ag7100 is designed to meet EN55022 Class B (pre-compliance test results are available from Silvertel).

However, because the Ag7100 will only be one component within your system, it is impossible to say whether the final product will pass EMC testing, without the need for additional filtering.

10. Electrical Characteristics

10.1 Absolute Maximum Ratings¹

	Parameter	Symbol	Min	Max	Units
1	DC Supply Voltage	V_{CC}	11	30	V
2	Surge Voltage at Output (for 1ms)	V_{SURGE}	-0.6	80	V
3	Storage Temperature	T_S	-40	+100	°C

Note 1: Exceeding the above ratings may cause permanent damage to the product. Functional operation under these conditions is not implied. Maximum ratings assume free airflow.

10.2 Recommended Operating Conditions

	Parameter	Symbol	Min	Typ	Max	Units
1	Input Supply Voltage ¹	V_{IN}	12	24	27	V
2	Operating Temperature ¹	T_{OP}	-20	25	70	T_a / °C

Note 1: See Section 7.

10.3 DC Electrical Characteristics

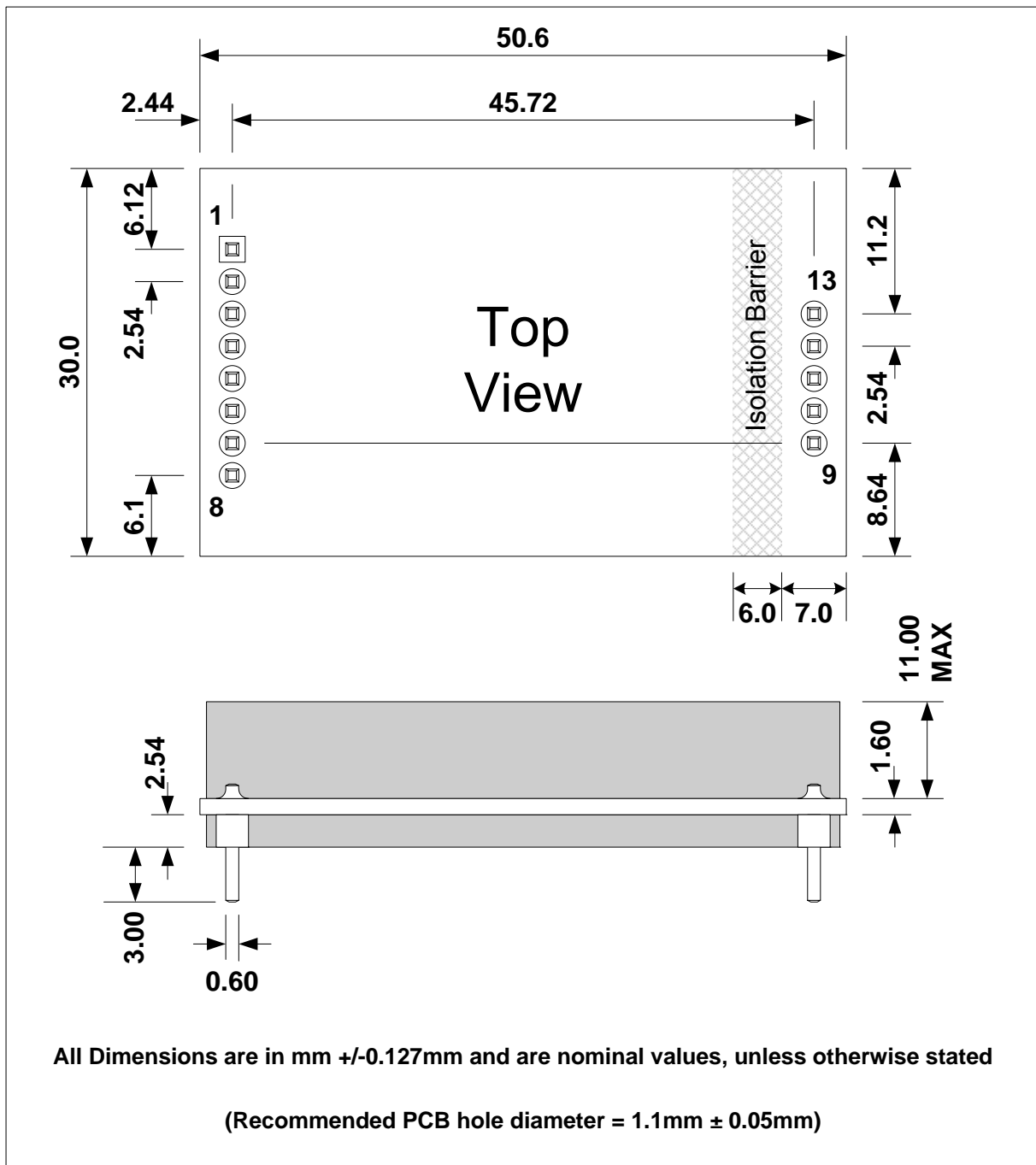
	DC Characteristic	Sym	Min	Typ ¹	Max	Units	Test Comments
1	Nominal Output Voltage	+VDC	55.6	57.0	58.4	V	
2	Peak Output Current ²	I _{LOAD}			0.7 0.85	A A	@ 57V @ 48V
3	Line Regulation	V _{LINE}		0.035		%	
4	Load Regulation - Min to Max	V _{LOAD}		0.02		%	
5	Output Ripple and Noise ³	V _{RN}		500		mVp-p	
6	Minimum Load	I _{MIN}	0			mA	
7	Short-Circuit Duration	T _{SC}			∞	sec	
8	Peak Efficiency	EFF		90.0		%	
9	Isolation Voltage (I/O)	V _{ISO}			1500	V _{PK}	Impulse Test

Note 1: Typical figures are at 25°C with a nominal output voltage = 57V and are for design aid only. Not Guaranteed.

2: See Section 7

3: Measurements made on a Grundig SO50 with a 200MHz (x10) probe.

11. Package



Information published in this datasheet is believed to be correct and accurate. Silver Telecom assumes no liability for errors which may occur or for liability otherwise arising out of use of this information or infringement of patents which may occur as a result of such use. No license is granted by this document under patents owned by Silver Telecom or licensed from third parties by Silver Telecom. The products, their specification and information appearing in this document are subject to change by Silver Telecom without notice.

Mouser Electronics

Authorized Distributor

Click to View Pricing, Inventory, Delivery & Lifecycle Information:

[Silvertel:](#)

[Ag7100](#)