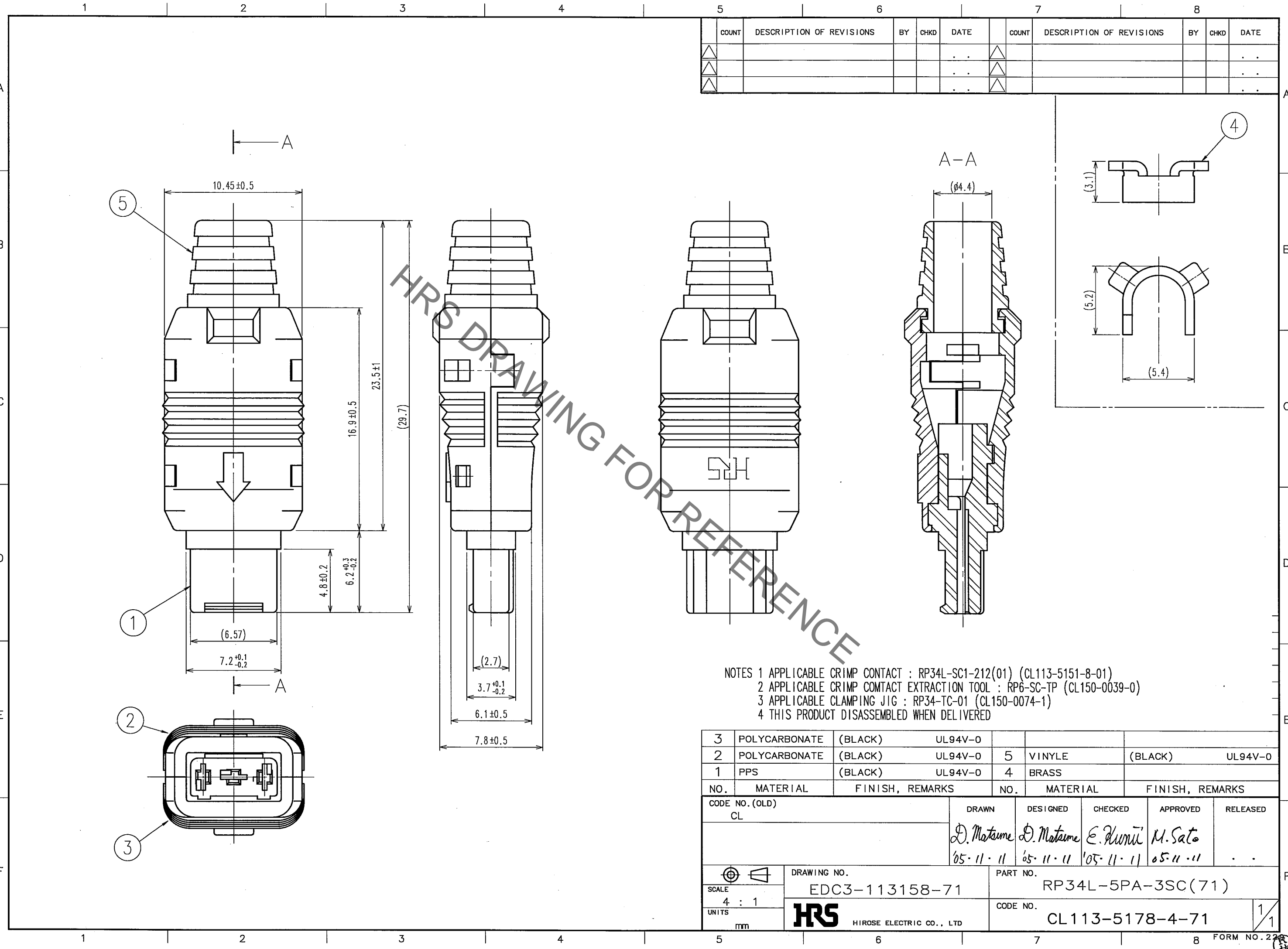


Jan.1.2022 Copyright 2022 HIROSE ELECTRIC CO., LTD. All Rights Reserved.
In case of consideration for using Automotive equipment / device which demand high reliability, kindly contact our sales window correspondents.



COUNT	DESCRIPTION OF REVISIONS	BY	CHKD	DATE	COUNT	DESCRIPTION OF REVISIONS	BY	CHKD	DATE
△				..	△				..
△				..	△				..
△				..	△				..

NOTES 1 APPLICABLE CRIMP CONTACT : RP34L-SC1-212(01) (CL113-5151-8-01)
 2 APPLICABLE CRIMP CONTACT EXTRACTION TOOL : RP6-SC-TP (CL150-0039-0)
 3 APPLICABLE CLAMPING JIG : RP34-TC-01 (CL150-0074-1)
 4 THIS PRODUCT DISASSEMBLED WHEN DELIVERED

3	POLYCARBONATE	(BLACK)	UL94V-0						
2	POLYCARBONATE	(BLACK)	UL94V-0	5	VINYLE	(BLACK)	UL94V-0		
1	PPS	(BLACK)	UL94V-0	4	BRASS				
NO.	MATERIAL	FINISH, REMARKS	NO.	MATERIAL	FINISH, REMARKS				
CODE NO. (OLD) CL			DRAWN	DESIGNED	CHECKED	APPROVED	RELEASED		
			<i>D. Matsume</i>	<i>D. Matsume</i>	<i>E. Kurui</i>	<i>M. Sato</i>			
			05.11.11	05.11.11	05.11.11	05.11.11			
DRAWING NO. EDC3-113158-71			PART NO. RP34L-5PA-3SC(71)						
SCALE 4 : 1			CODE NO. CL113-5178-4-71						
UNITS mm			HIROSE ELECTRIC CO., LTD						

TO
R

Mouser Electronics

Authorized Distributor

Click to View Pricing, Inventory, Delivery & Lifecycle Information:

[Hirose Electric:](#)

[RP34L-5PA-3SC\(71\)](#)