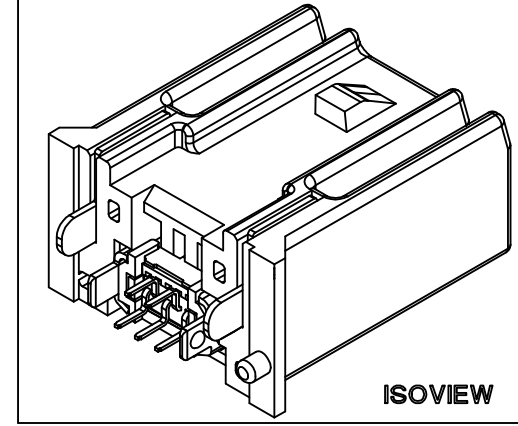
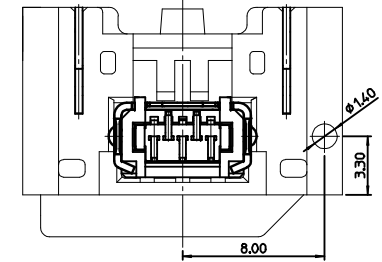
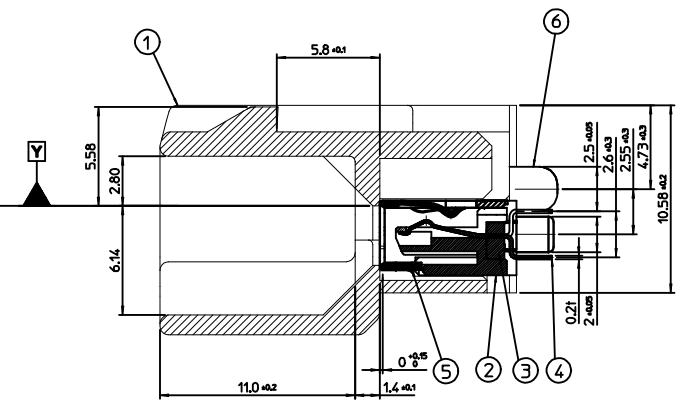
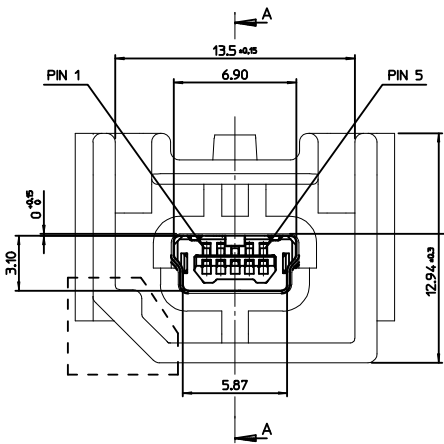


**RECOMMENDED PCB LAYOUT**



- NOTE
- MATES WITH :  
(MOLEX SERIES NO. - 111014, 111015, 111005, 111041, 111019, 111020)
  - SHROUD GEOMETRY AND ASSEMBLY WITH USB MINI-B CONNECTOR ARE ACCORDING TO USCAR STD 999-U-USB-Z01
  - FINISHES  
- TERMINAL :  
CONTACT AREA : Au 0.75µm MIN.  
SOLDER TAIL AREA : TIN 3.8µm MIN.  
UNDER PLATING : NI 1.0µm MIN.  
- SHIELD CASE :  
3.0µm MIN. TIN OVER NI 1.0µm MIN.  
- FITTING NAIL :  
3.0µm MIN. TIN OVER NI 1.0µm MIN.
  - UNLESS OTHERWISE SPECIFIED, TYPICAL RECOMMENDED PCB MANUFACTURING TOLERANCE IS ±0.05
  - PACKAGING IS TRAY :  
(48 PCS/TRAY, 5 TRAY/TRAY BOX, 240 PCS/TRAY BOX, 960 PCS/CARTON BOX)
  - PACKAGING IS TUBE :  
(29 PCS/TUBE, 60 TUBE/BOX, 1740 PCS/CARTON BOX)
  - PACKING IS EMBOSS:  
\*SEE SHEET 2 OF 2 OF THIS PRINT.\*
  - PRODUCT SPECIFICATION : PS-49616-001
  - PCB THICKNESS : 1.6mm(REFERENCE)



<TABLE 1>

MATERIAL NO.	ORDER NO.	COLOR	PACKING	PACKING INFO.
1040040501	104004-0501	BLACK	TRAY	PK-104004-001
1040040701	104004-0701	BLACK	TUBE	PK-104004-002
1040040503	104004-0503	BLACK	EMBOSS	PK-104004-005

<PARTS LIST>

NO.	PART NAME	MATERIAL
1	SHROUD-A	LCP, GLASS FILLED, UL94 V-0
2	RECEPTACLE HOUSING	LCP, GLASS FILLED, UL94 V-0
3	CONTACT HOUSING	LCP, GLASS FILLED, UL94 V-0
4	CONTACT TERMINAL	COPPER ALLOY
5	SHIELD CASE	PHOSPHOR BRONZE
6	BOARD LOCKS PIN	BRASS

REVISED  
EC NO: KTR2015-0098  
DRAWN: IBAEK 2015/04/27  
CHKD: JYCHOI  
APPR: JYCHOI 2015/05/04  
REV DESCRIPTION

QUALITY SYMBOLS  
▽=0  
▽=0

GENERAL TOLERANCES (UNLESS SPECIFIED)  
mm INCH  
4 PLACES ± --- ± ---  
3 PLACES ± --- ± ---  
2 PLACES ± 0.15 ± ---  
1 PLACE ± 0.25 ± ---  
ANGULAR ± 1 °

DRAFT WHERE APPLICABLE  
MUST REMAIN  
WITHIN DIMENSIONS

DIMENSION STYLE: MM ONLY  
SCALE: 5:1  
DESIGN UNITS: METRIC  
THIRD ANGLE PROJECTION

DRAWN BY: S.M.KIM DATE: 2009/06/17  
CHECKED BY: B.C.YOON DATE: 2009/06/17  
APPROVED BY: E.H.JUNG DATE: 2009/06/17

MATERIAL NO. SEE TABLE 1  
DOCUMENT NO. SD-104004-001  
SHEET NO. 1 OF 2

USCAR USB MINI B CONN VERTICAL A  
MOLEX INCORPORATED

THIS DRAWING CONTAINS INFORMATION THAT IS PROPRIETARY TO MOLEX INCORPORATED AND SHOULD NOT BE USED WITHOUT WRITTEN PERMISSION