

## 3D PDF DATASHEET



eCATALOG solutions



BIM catalogs.net



PARTsolutions



Create Your Individual 3D PDF Datasheet



Learn How to Create Your Mechanical Product Catalog



Learn How to Create Your BIM Product Catalog



Reduce Your Costs in Engineering and Purchasing



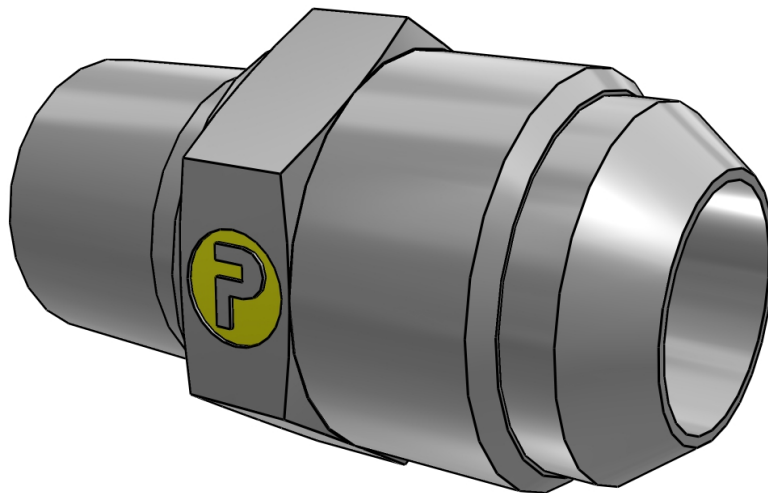
## Triple-Lok Male stud connector 12-8F3MXS

Male stud connector



### 3D View

To activate the interactive 3D view, you must trust this document (see hint on the top) in Adobe Acrobat and click on the question mark.



#### Zoom

Moves you toward or away from objects in the scene when you drag vertically. You can also zoom with the hand tool by holding down Shift as you drag.

#### Pan

Moves the model vertically and horizontally only. You can also pan with the hand tool: Ctrl-drag.

#### Rotate

Turns 3D objects around relative to the screen. How the objects move depends on the starting view, where you start dragging and the direction in which you drag.

3D PDF DATASHEET



eCATALOGsolutions



BIM catalogs.net



PARTsolutions



Create Your Individual 3D PDF Datasheet



Learn How to Create Your Mechanical Product Catalog



Learn How to Create Your BIM Product Catalog



Reduce Your Costs in Engineering and Purchasing



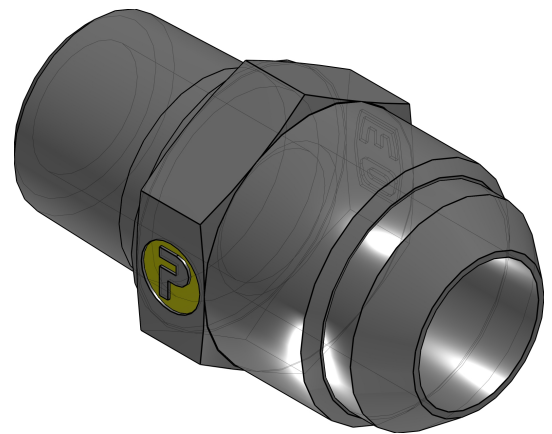
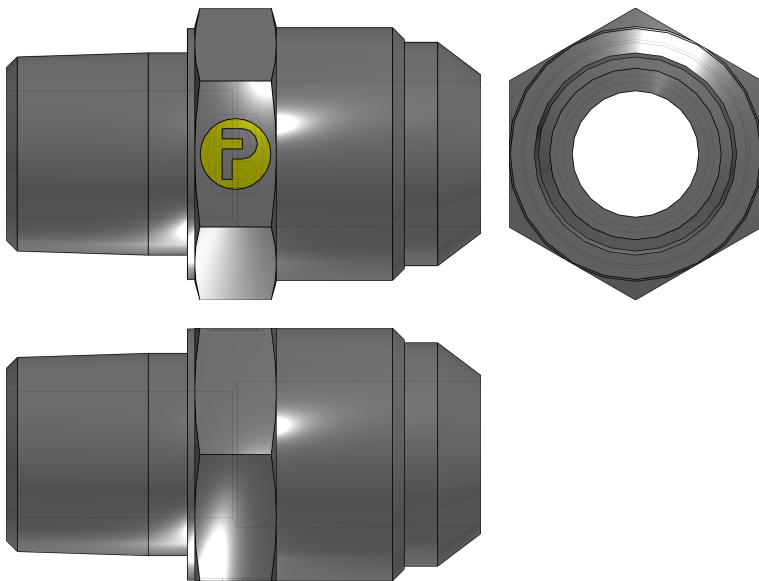
## Triple-Lok Male stud connector 12-8F3MXS

Male stud connector



2D derivation

ISO View





eCATALOG solutions



BIM catalogs.net



PARTsolutions



Create Your Individual 3D PDF Datasheet



Learn How to Create Your Mechanical Product Catalog



Learn How to Create Your BIM Product Catalog



Reduce Your Costs in Engineering and Purchasing

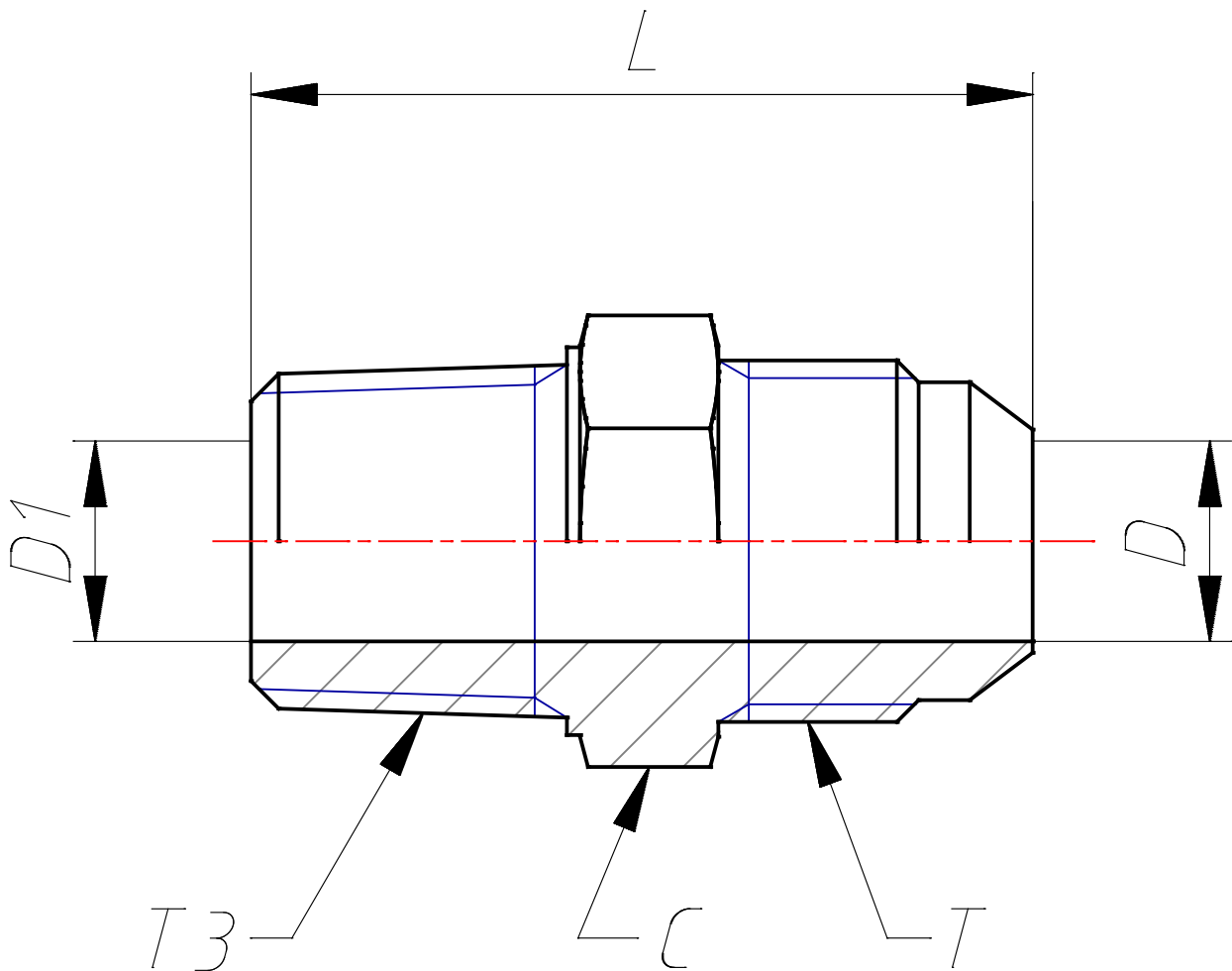


## Triple-Lok Male stud connector 12-8F3MXS

Male stud connector



### Technical drawings



## 3D PDF DATASHEET



 eCATALOG solutions




 BIM catalogs.net



 PART solutions



Create Your Individual 3D PDF Datasheet 

Learn How to Create Your Mechanical Product Catalog 

Learn How to Create Your BIM Product Catalog 

Reduce Your Costs in Engineering and Purchasing 

## Triple-Lok Male stud connector 12-8F3MXS

Male stud connector



### Technical Data

ERMETO (Order code)	12-8F3MXS
INFO (Add. Info)	PDF Link
WERKSTOFF (Material selection)	Steel
AD (Tube O.D. / mm)	18, 20
OD (Tube O.D. / Zoll)	3/4
GEWT3 (Thread BSPT T3)	1/2-14
GEWT (Thread UN/UNF-2A T)	1 1/16-12
C (Width across flats / mm)	27
D (Diameter / mm)	15.5
D1 (Diameter / mm)	13.5
L (Length / mm)	50.8
WEIGHT (Weight / kg)	0.11071

## 3D PDF DATASHEET



 eCATALOG solutions




 BIM catalogs.net




 PART solutions



Create Your Individual 3D PDF Datasheet 

Learn How to Create Your Mechanical Product Catalog 

Learn How to Create Your BIM Product Catalog 

Reduce Your Costs in Engineering and Purchasing 

## Triple-Lok Male stud connector 12-8F3MXS

Male stud connector



### Bill of Materials

N°	Description	Amount
1.1	Triple-Lok Male stud connector 12-8F3MXS	1