

3D PDF DATASHEET



eCATALOG solutions



BIM catalogs.net



PARTsolutions



Create Your Individual 3D PDF Datasheet ▶

Learn How to Create Your Mechanical Product Catalog ▶

Learn How to Create Your BIM Product Catalog ▶

Reduce Your Costs in Engineering and Purchasing ▶

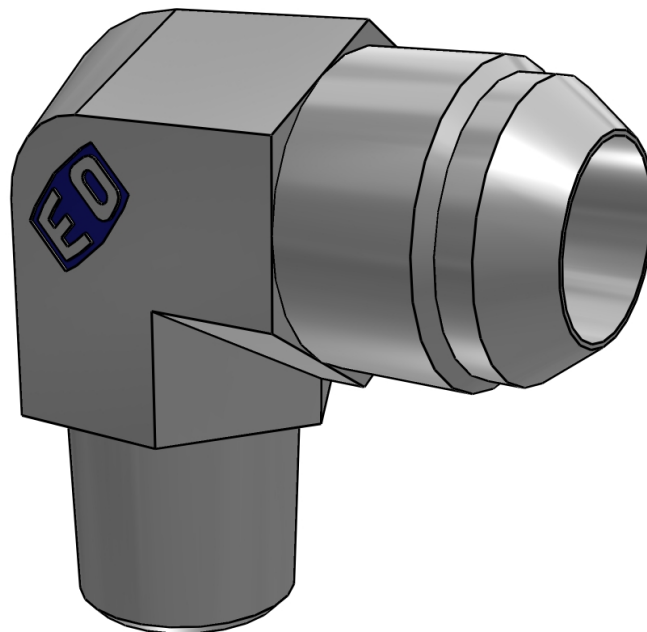
Triple-Lok Male stud elbow 12-8C3MXS

Male stud elbow



3D View

To activate the interactive 3D view, you must trust this document (see hint on the top) in Adobe Acrobat and click on the question mark.



Zoom

Moves you toward or away from objects in the scene when you drag vertically. You can also zoom with the hand tool by holding down Shift as you drag.

Pan

Moves the model vertically and horizontally only. You can also pan with the hand tool: Ctrl-drag.

Rotate

Turns 3D objects around relative to the screen. How the objects move depends on the starting view, where you start dragging and the direction in which you drag.

3D PDF DATASHEET



 eCATALOG solutions




 BIM catalogs.net




 PART solutions



Create Your Individual 3D PDF Datasheet 

Learn How to Create Your Mechanical Product Catalog 

Learn How to Create Your BIM Product Catalog 

Reduce Your Costs in Engineering and Purchasing 

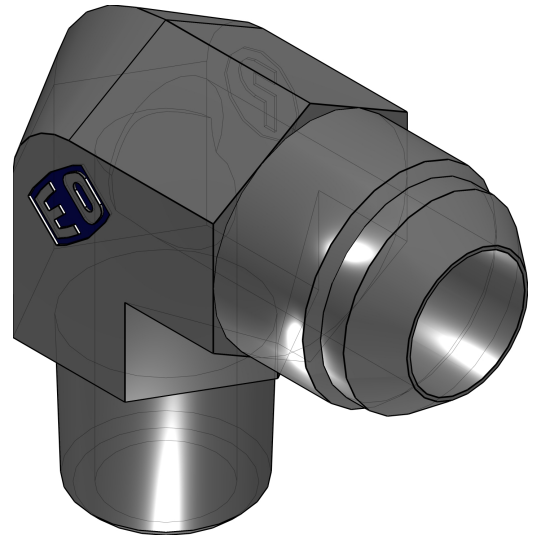
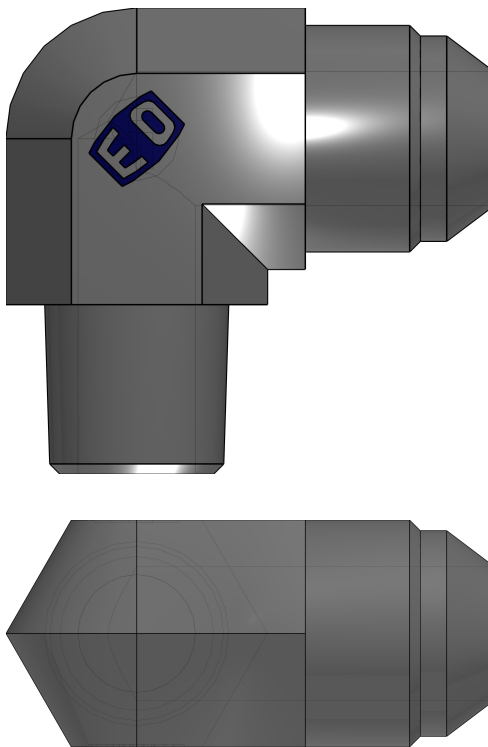
Triple-Lok Male stud elbow 12-8C3MXS

Male stud elbow



2D derivation

ISO View



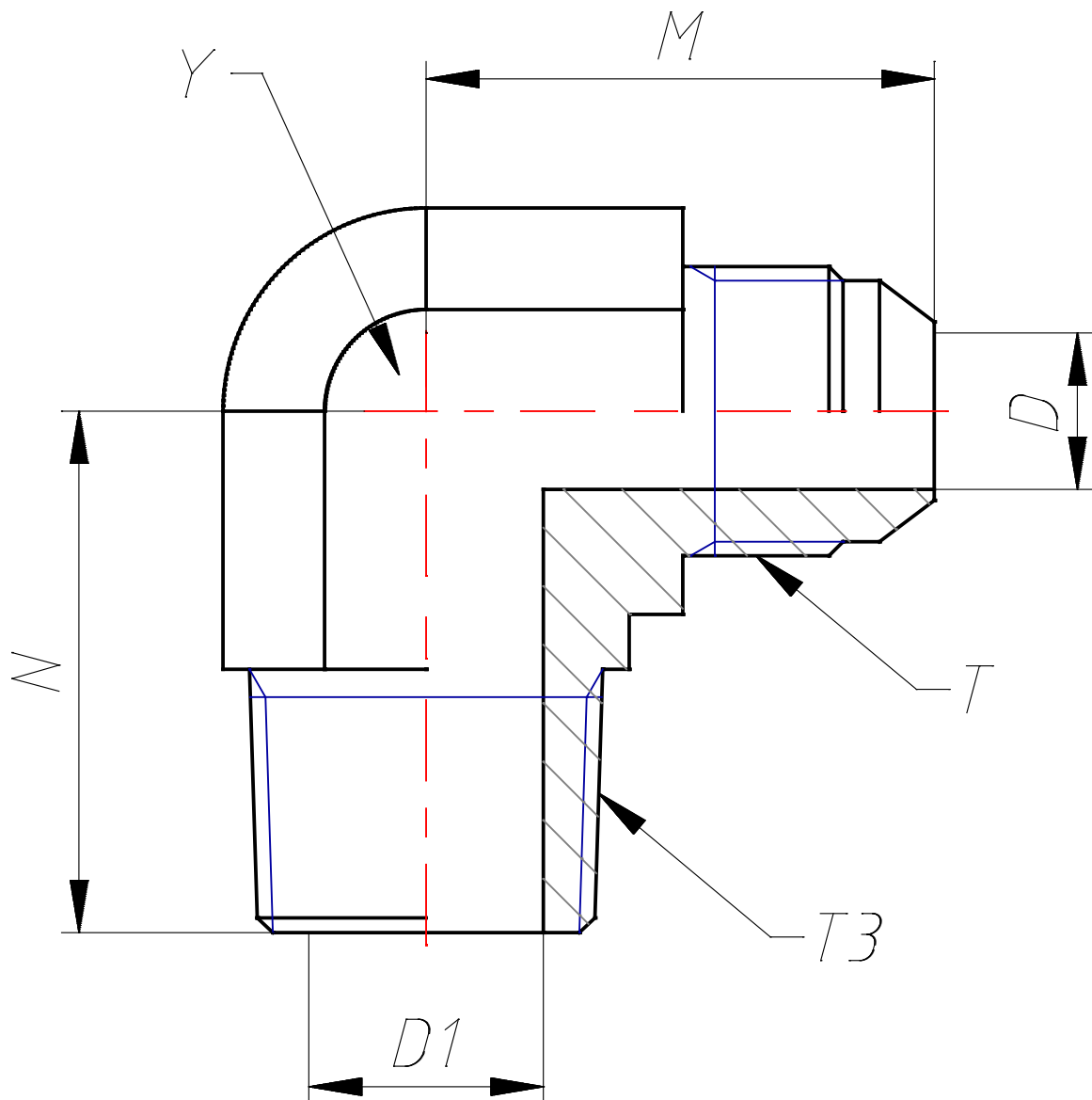


Triple-Lok Male stud elbow 12-8C3MXS

Male stud elbow



Technical drawings



3D PDF DATASHEET



 eCATALOG solutions




 BIM catalogs.net



 PART solutions



Create Your Individual 3D PDF Datasheet 

Learn How to Create Your Mechanical Product Catalog 

Learn How to Create Your BIM Product Catalog 

Reduce Your Costs in Engineering and Purchasing 

Triple-Lok Male stud elbow 12-8C3MXS

Male stud elbow



Technical Data

ERMETO (Order code)	12-8C3MXS
INFO (Add. Info)	PDF Link
WERKSTOFF (Material selection)	Steel
AD (Tube O.D. / mm)	18, 20
OD (Tube O.D. / Zoll)	3/4
GEWT3 (Thread BSPT T3)	1/2-14
GEWT (Thread UN/UNF-2A T)	1 1/16-12
D (Diameter / mm)	16
D1 (Diameter / mm)	14
M (Lenght / mm)	42
N (Lenght / mm)	40
Y (Width across flats / mm)	27
WEIGHT (Weight / kg)	0.2158

3D PDF DATASHEET



 eCATALOG solutions




 BIM catalogs.net




 PART solutions



Create Your Individual 3D PDF Datasheet 

Learn How to Create Your Mechanical Product Catalog 

Learn How to Create Your BIM Product Catalog 

Reduce Your Costs in Engineering and Purchasing 

Triple-Lok Male stud elbow 12-8C3MXS

Male stud elbow



Bill of Materials

N°	Description	Amount
1.1	Triple-Lok Male stud elbow 12-8C3MXS	1