

## 3D PDF DATASHEET



eCATALOG solutions



BIM catalogs.net



PARTsolutions



Create Your Individual 3D PDF Datasheet



Learn How to Create Your Mechanical Product Catalog



Learn How to Create Your BIM Product Catalog



Reduce Your Costs in Engineering and Purchasing



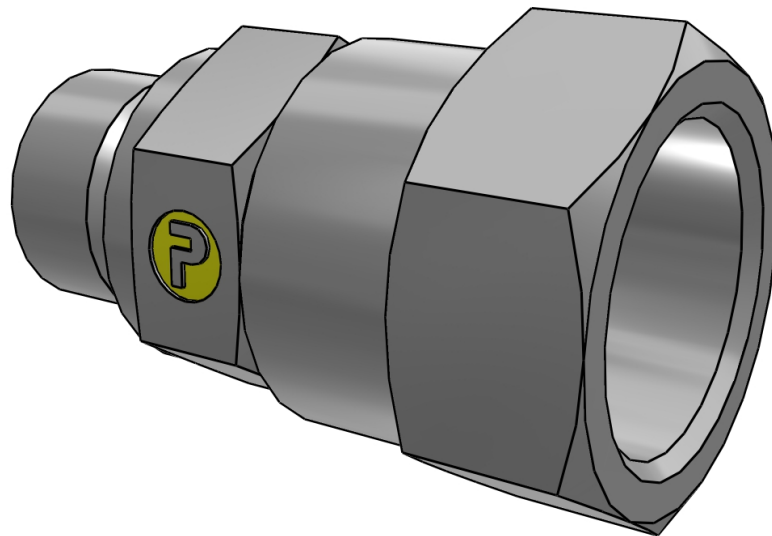
## EO Swivel male stud 10-6F642EDMXS

Swivel male stud



### 3D View

To activate the interactive 3D view, you must trust this document (see hint on the top) in Adobe Acrobat and click on the question mark.



#### Zoom

Moves you toward or away from objects in the scene when you drag vertically. You can also zoom with the hand tool by holding down Shift as you drag.

#### Pan

Moves the model vertically and horizontally only. You can also pan with the hand tool: Ctrl-drag.

#### Rotate

Turns 3D objects around relative to the screen. How the objects move depends on the starting view, where you start dragging and the direction in which you drag.

# 3D PDF DATASHEET



eCATALOGsolutions



BIM catalogs.net



PARTsolutions



Create Your Individual 3D PDF Datasheet



Learn How to Create Your Mechanical Product Catalog



Learn How to Create Your BIM Product Catalog



Reduce Your Costs in Engineering and Purchasing



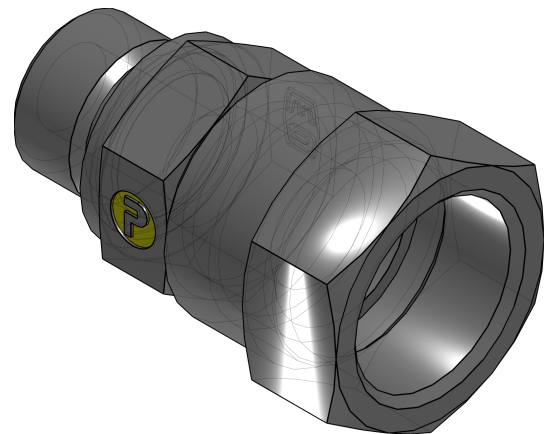
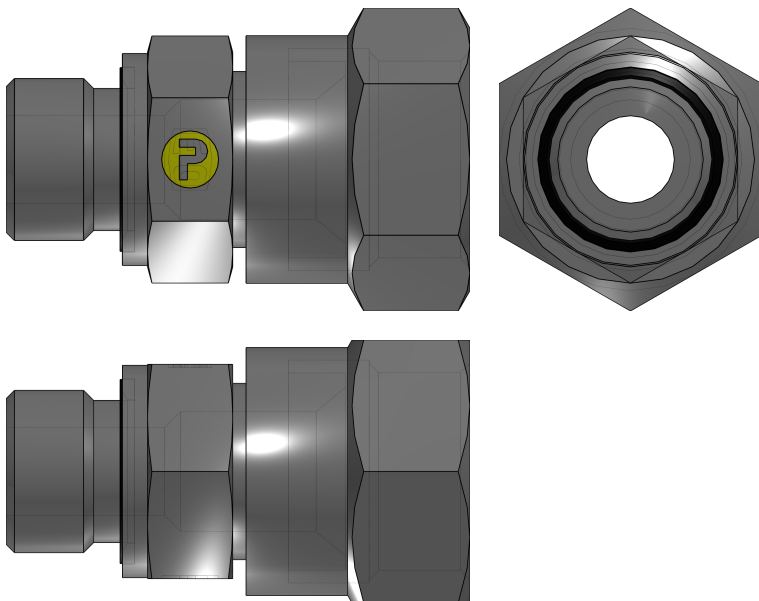
## EO Swivel male stud 10-6F642EDMXS

Swivel male stud



2D derivation

ISO View



3D PDF DATASHEET



eCATALOGsolutions



BIM catalogs.net



PARTsolutions



Create Your Individual 3D PDF Datasheet



Learn How to Create Your Mechanical Product Catalog



Learn How to Create Your BIM Product Catalog



Reduce Your Costs in Engineering and Purchasing

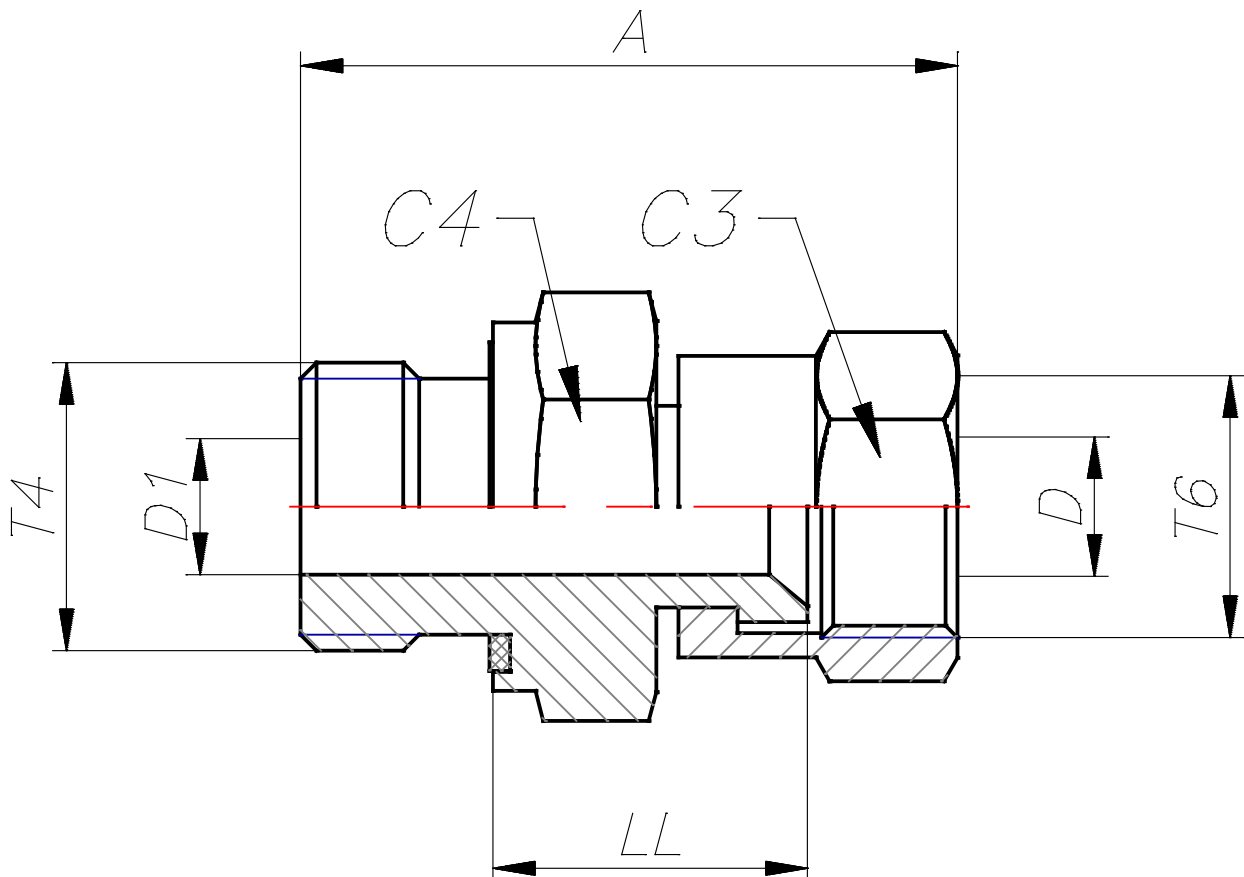


## EO Swivel male stud 10-6F642EDMXS

Swivel male stud



### Technical drawings



## 3D PDF DATASHEET



 eCATALOG solutions




 BIM catalogs.net




 PART solutions



Create Your Individual 3D PDF Datasheet 

Learn How to Create Your Mechanical Product Catalog 

Learn How to Create Your BIM Product Catalog 

Reduce Your Costs in Engineering and Purchasing 

## EO Swivel male stud 10-6F642EDMXS

Swivel male stud



### Technical Data

ERMETO (Order code)	10-6F642EDMXS
INFO (Add. Info)	PDF Link
WERKSTOFF (Material selection)	Steel
AD (Tube O.D. / mm)	14, 15, 16
OD (Tube O.D. / Zoll)	5/8
GEWT4 (Thread BSPP T4)	3/8-19
GEWT6 (Thread UN/UNF-2B T6)	7/8-14
A (Lenght / mm)	35
C3 (Width across flats / mm)	27
C4 (Width across flats / mm)	22
D (Diameter / mm)	12
D1 (Diameter / mm)	9
LL (Lenght / mm)	23
WEIGHT (Weight / kg)	0.099

## 3D PDF DATASHEET



 eCATALOG solutions




 BIM catalogs.net




 PART solutions



Create Your Individual 3D PDF Datasheet 

Learn How to Create Your Mechanical Product Catalog 

Learn How to Create Your BIM Product Catalog 

Reduce Your Costs in Engineering and Purchasing 

## EO Swivel male stud 10-6F642EDMXS

Swivel male stud



### Bill of Materials

N°	Description	Amount
1.1	EO Swivel male stud 10-6F642EDMXS	1