



har-flexicon 2.54 PCB male connector, horizontal



General information

Design	PCB male connector, horizontal	
No. of contacts	2-12 poles	
Contact pitch	2,54 mm	
Test voltage	2,5 kV	
Rated voltage	160 V	overvoltage category III / pollution degree 2
Contact resistance	max. 20mOhm	
Insulation resistance	min. 10 ⁹ Ohm	
Working current	7.3 A at 70°C (tested with AWG20, see derating diagram)	
Temperature range	-40°C ... +125°C	
Termination technology	SMT	
Reflow processing temperature	20s at 255°C	
Clearance & creepage distance	Clearance: 1,5 mm	Creepage: 1,6 mm
Insertion force	max. 5 N per contact	
Withdrawal force	min. 1 N per contact	
Mating cycles	10 cycles	
Hot plugging	No	
vibration	10-150Hz, 0,35mm, 5g, 2h each axis	

RoHS - compliant	Yes	
UL file	pending	

Insulator material

Material	LCP (liquid crystalline polymer, glass fiber reinforcement 30%)	
Color	black	
UL classification	UL 94-V0	
Material group acc. IEC 60664-1	IIIa (175 < CTI < 400)	
NFF classification	-	

Contact material

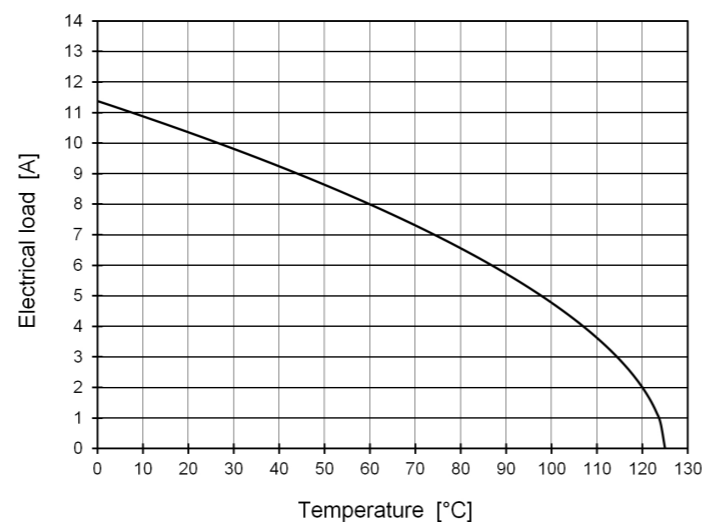
Contact material	Copper alloy	
Plating termination zone	Sn over Ni	
Plating contact zone	Sn over Ni	

Derating diagram acc. to IEC 60512-5 (Current carrying capacity)

The current carrying capacity is limited by maximum temperature of materials for inserts and contacts including terminals.

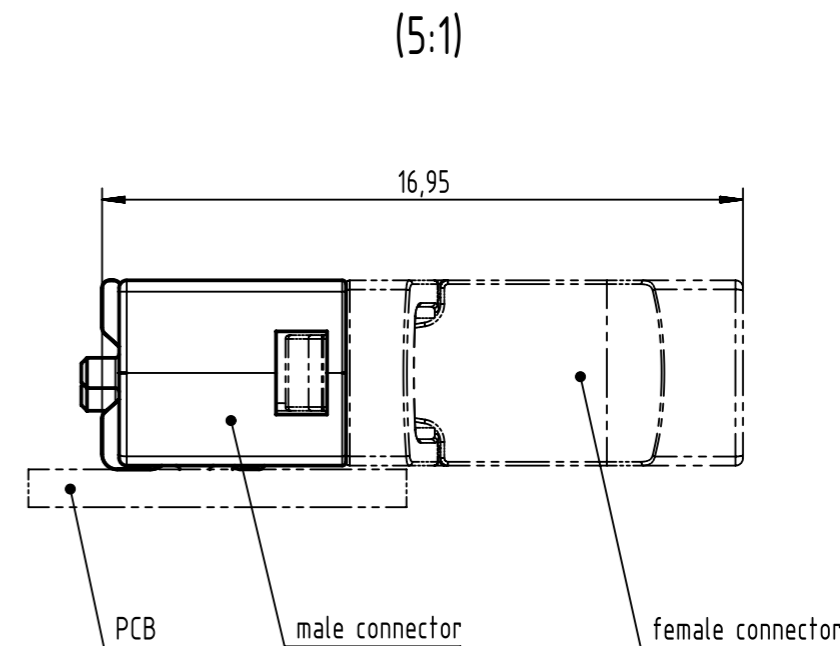
The current capacity curve is valid for continuous, non interrupted current loaded contacts of connectors when simultaneous power on all contacts is given, without exceeding the maximum temperature.

Control and test procedures according to DIN IEC 60512-5



tested with AWG20

Application information



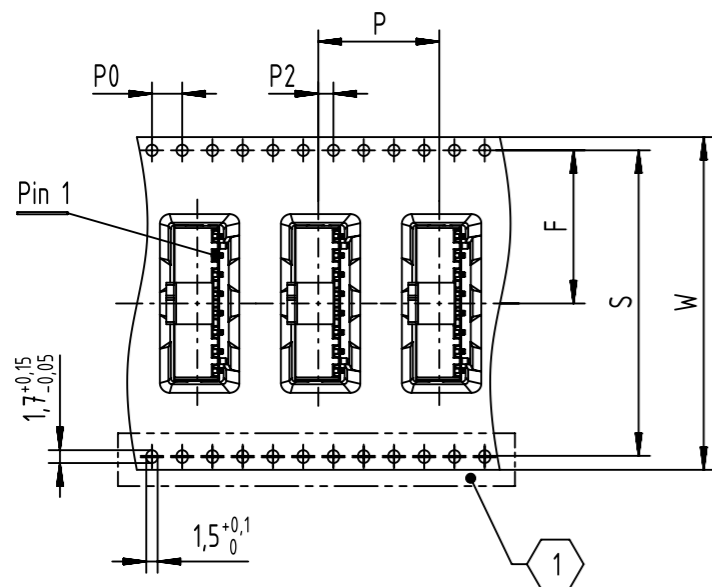
	All rights reserved	Created by HASSE	Inspected by FRIESENH	Standardisation KOHLE	Date 2013-10-09	State Final Release
	Department EC PD - DE	Title har-flexicon 2.54 male connector horizontal				Doc-Key / ECM-Nr. 100549863/UGD/001/A 50000067057
HARTING Electronics GmbH D-32339 Espelkamp		Type DS	Number 14111300301		Rev. A	Page 1/2



har-flexicon 2.54 PCB male connector, horizontal



Packaging & tape layout

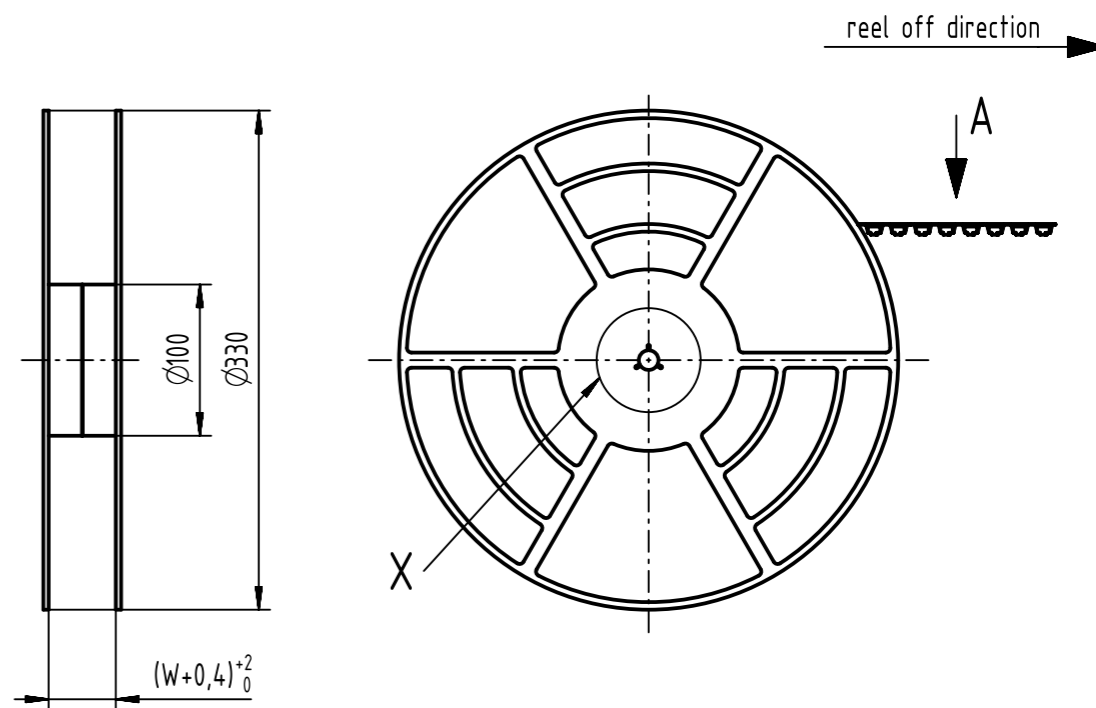


pole	W [mm]	F [mm]	S [mm]	P2 [mm]	P [mm]	P0 [mm]
2	24,0 ^{+0,3} _{-0,1}	11,5 ± 0,1		2,0 ± 0,1	16,0 ± 0,1	4,0 ± 0,1
3						
4	32,0 ± 0,3	14,2 ± 0,1	28,4 ± 0,1	2,0 ± 0,1	16,0 ± 0,1	4,0 ± 0,1
5						
6						
7						
8	44,0 ± 0,3	20,2 ± 0,1	40,4 ± 0,1	2,0 ± 0,15	16,0 ± 0,1	4,0 ± 0,1
9						
10						
11	56,0 ± 0,3	26,2 ± 0,1	52,4 ± 0,1	2,0 ± 0,15	16,0 ± 0,1	4,0 ± 0,1
12						

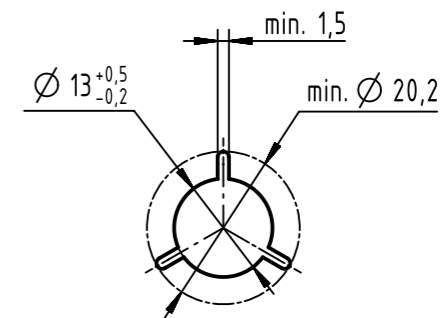
① no double sprocket holes for 2- and 3-pole numbers

Packaging & tape layout

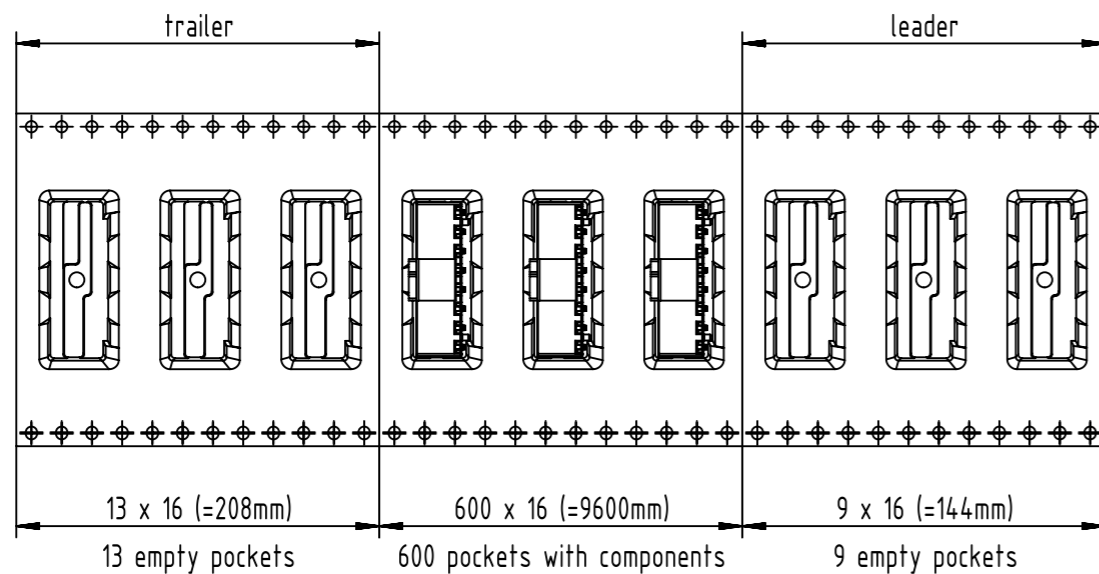
(1:5)



X (1:1)



A



Packaging	Index
tape and reel with 600 pcs per reel	000
tape with 1 pcs	333

part-number	1411XX13002XXX
-------------	----------------

	All rights reserved Department EC PD - DE	All Dimensions in mm Original Size DIN A3	Scale 1:1	Free size tol.	Ref. Sub.
		Created by HASSE	Inspected by FRIESENH	Standardisation KOHLER	Date 2013-10-09
HARTING Electronics GmbH D-32339 Espelkamp		Title har-flexicon 2.54 male connector horizontal			Doc-Key / ECM-Nr. 100549863/UGD/001/A 50000067057
		Type DS	Number 14111300301		Rev. A Page 2/2