

# NFL21SP107X1C3#

“#” indicates a package specification code.

In Production

RoHS

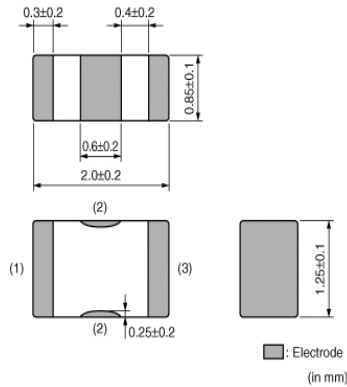
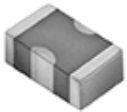
REACH

< List of part numbers with package codes >

NFL21SP107X1C3D

NFL21SP107X1C3B

## Appearance & Shape



## Features

The chip "EMIFIL" NFL21SP series is a high performance EMI suppression filter in 2.0x1.25mm size for high speed signal lines by using Murata's processing technology.

### Features

1. Suppresses noise with little attenuation of the signal itself due to its steep filtering characteristics.
2. Murata's original internal structure design enables excellent noise suppression up to high frequencies.
3. Available in ten different values of cut-off frequency ranging from 10MHz up to 500MHz.

### Applications

Suppression of high magnitude radiated noise generated by high speed digital circuits such as clock and RGB

## Applications

|             |             |
|-------------|-------------|
| Other Usage | For general |
|-------------|-------------|

## Packaging Information

| Packaging | Specifications   | Standard Packing Quantity |
|-----------|------------------|---------------------------|
| D         | 180mm Paper Tape | 4000                      |
| B         | Bulk(Bag)        | 1000                      |

### Attention

1.This datasheet is downloaded from the website of Murata Manufacturing Co., Ltd. Therefore, it's specifications are subject to change or our products in it may be discontinued without advance notice. Please check with our sales representatives or product engineers before ordering.

2.This datasheet has only typical specifications because there is no space for detailed specifications.

Therefore, please review our product specifications or consult the approval sheet for product specifications before ordering.

# NFL21SP107X1C3#

“#” indicates a package specification code.



## Specifications

|                             |                |
|-----------------------------|----------------|
| Shape                       | SMD            |
| Size Code (in inch)         | 0805           |
| Length                      | 2.0mm          |
| Length Tolerance            | ±0.2mm         |
| Width                       | 1.25mm         |
| Width Tolerance             | ±0.1mm         |
| Thickness                   | 0.85mm         |
| Thickness Tolerance         | ±0.1mm         |
| Operating Temperature Range | -55°C to 125°C |
| Mass(typ.)                  | 0.009g         |
| Number of Circuit           | 1              |
| Rated Current               | 200mA          |
| Rated Voltage               | 16Vdc          |
| Withstanding Voltage        | 50Vdc          |
| Insulation Resistance(min.) | 1000MΩ         |
| Nominal Cut-off Frequency   | 100MHz         |
| Capacitance                 | 44pF           |
| Capacitance Tolerance       | ±20%           |
| Inductance                  | 135nH          |
| Inductance Tolerance        | ±20%           |
| Size Code (in mm)           | 2012           |

### Attention

1.This datasheet is downloaded from the website of Murata Manufacturing Co., Ltd. Therefore, it's specifications are subject to change or our products in it may be discontinued without advance notice. Please check with our sales representatives or product engineers before ordering.

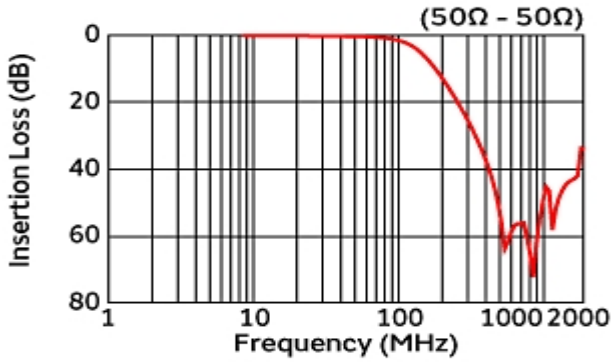
2.This datasheet has only typical specifications because there is no space for detailed specifications.

Therefore, please review our product specifications or consult the approval sheet for product specifications before ordering.

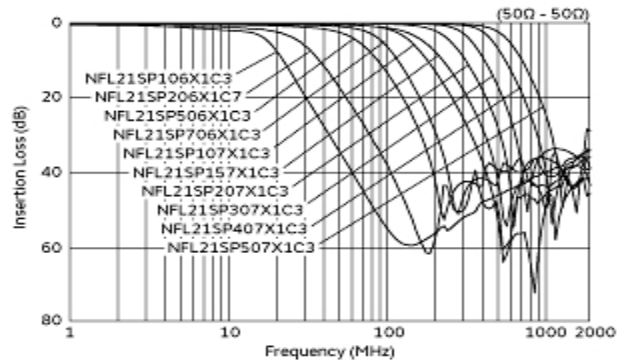
# NFL21SP107X1C3#

“#” indicates a package specification code.

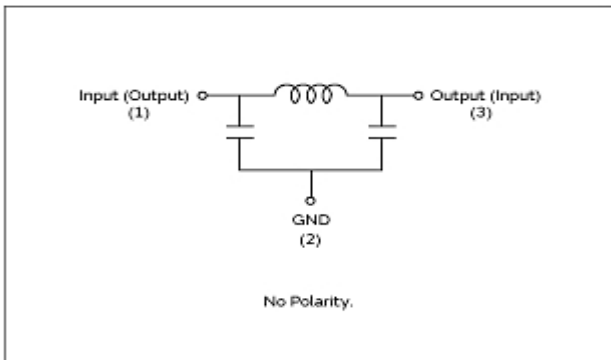
## Product Data



Insertion Loss Characteristics



Insertion Loss Characteristics (Main Items)



Equivalent Circuit

**Attention**

- 1.This datasheet is downloaded from the website of Murata Manufacturing Co., Ltd. Therefore, it's specifications are subject to change or our products in it may be discontinued without advance notice. Please check with our sales representatives or product engineers before ordering.
- 2.This datasheet has only typical specifications because there is no space for detailed specifications. Therefore, please review our product specifications or consult the approval sheet for product specifications before ordering.