

GW EIP/MODBUS 1E/2DB9 - Interface converters



1062423

<https://www.phoenixcontact.com/us/products/1062423>

Please be informed that the data shown in this PDF document is generated from our Online Catalog. Please find the complete data in the user documentation. Our General Terms of Use for Downloads are valid.



The GW EIP/MODBUS... enables two-way communication between EtherNet/IP™ and Modbus protocols. Includes one RJ45 port and two D-SUB 9 ports.

Commercial Data

| | |
|--------------------------------------|---------------|
| Item number | 1062423 |
| Packing unit | 1 pc |
| Sales Key | DN09 |
| Product Key | DNC323 |
| GTIN | 4055626718460 |
| Weight per Piece (including packing) | 185 g |
| Weight per Piece (excluding packing) | 185 g |
| Customs tariff number | 85176200 |
| Country of origin | US |

Technical Data

Notes

Utilization restriction

| | |
|----------|---|
| EMC note | EMC: class A product, see manufacturer's declaration in the download area |
|----------|---|

Utilization restriction

| | |
|------------|---|
| CCCex note | Use in potentially explosive areas is not permitted in China. |
|------------|---|

Product properties

| | |
|--------------|---|
| Product type | Interface converter |
| MTBF | 69.4 Years (Telcordia standard, 25°C temperature, 50% stress, Environmental Factor = 1.0) |
| | 46.3 Years (Telcordia standard, 40°C temperature, 50% stress, environmental factor = 1.0) |

Electrical properties

| | |
|--|---------------------------------------|
| Electrical isolation | IEC UL 61010-1 (VCC // Ethernet) |
| Test voltage data interface/data interface | 1.5 kV _{rms} (50 Hz, 1 min.) |
| Test voltage data interface/power supply | 1.5 kV _{rms} (50 Hz, 1 min.) |
| | 1.5 kV _{rms} |

Supply

| | |
|-----------------------------|---|
| Supply voltage range | 10.8 V DC ... 30 V DC (via pluggable COMBICON screw terminal block) |
| Typical current consumption | 76 mA (24 V DC) |
| Max. current consumption | 85 mA (24 V DC) |

Function

| | |
|----------------------------------|---|
| Management | Web-based management |
| Status and diagnostic indicators | LEDs: Status, ACT/LNK (Ethernet data traffic) |

Connection data

Supply

| | |
|-----------------------------------|---|
| Conductor cross section, flexible | 0.20 mm ² ... 2.50 mm ² |
| Conductor cross section AWG | 24 ... 12 |
| Tightening torque | 0.5 Nm ... 0.6 Nm |

Interfaces

| | |
|------------|--------------|
| Signal | Ethernet |
| | EtherNet/IP™ |
| | Modbus |
| Web server | yes |

Data: EtherNet/IP™, MODBUS TCP

GW EIP/MODBUS 1E/2DB9 - Interface converters



1062423

<https://www.phoenixcontact.com/us/products/1062423>

| | |
|---------------------------|-----------------------------------|
| Serial transmission speed | 10/100 Mbps, auto negotiation |
| Connection method | RJ45 jack, shielded |
| No. of channels | 1 |
| Transmission length | ≤ 100 m (shielded twisted pair) |
| Protocols supported | EtherNet/IP, MODBUS ASCII/RTU/TCP |
| Auxiliary protocols | ARP, DHCP (Client), PING |

Data: RS-232

| | |
|-----------------------------|---|
| Serial transmission speed | 0.3; 0.6; 1.2; 2.4; 4.8; 9.6; 19.2; 38.4; 57.6; 115.2; 230.4 Kbps |
| Number of connections | 2 |
| Connection method | D-SUB 9 plug |
| Pin assignment | DTE |
| Transmission length | 15 m |
| File format/coding | 5/6/7/8 Data bits, 1/2 Stop bits, None/Even/Odd/Mark/Space Parity |
| Data flow control/protocols | Software handshake, Xon/Xoff or hardware handshake RTS/CTS |

Data: RS-422

| | |
|---------------------------|---|
| Serial transmission speed | 0.3; 0.6; 1.2; 2.4; 4.8; 9.6; 19.2; 38.4; 57.6; 115.2; 230.4 Kbps |
| Number of connections | 2 |
| Connection method | D-SUB 9 plug |
| Pin assignment | 2, 3, 5, 7, 8 |
| Transmission length | ≤ 1200 m |
| Termination resistor | 120 Ω (configurable) |
| File format/coding | 5/6/7/8 Data bits, 1/2 Stop bits, None/Even/Odd/Mark/Space Parity |

Data: RS-485

| | |
|---------------------------|---|
| Serial transmission speed | 0.3; 0.6; 1.2; 2.4; 4.8; 9.6; 19.2; 38.4; 57.6; 115.2; 230.4 Kbps |
| Number of connections | 2 |
| Connection method | D-SUB 9 plug |
| Pin assignment | 3, 5, 7 |
| Termination resistor | 120 Ω (configurable) |
| File format/coding | 5/6/7/8 Data bits, 1/2 Stop bits, None/Even/Odd/Mark/Space Parity |

Dimensions

| | |
|--------|---------|
| Width | 22.5 mm |
| Height | 99 mm |
| Depth | 115 mm |

Material specifications

| | |
|------------------|--------|
| Color | gray |
| Housing material | PA 6.6 |

Environmental and real-life conditions

1062423

<https://www.phoenixcontact.com/us/products/1062423>

Ambient conditions

| | |
|--|--------------------------------|
| Degree of protection | IP20 |
| Ambient temperature (operation) | -40 °C ... 70 °C |
| Ambient temperature (storage/transport) | -40 °C ... 80 °C |
| Altitude | < 2000 m |
| Permissible humidity (operation) | 10 % ... 95 % (non-condensing) |
| Permissible humidity (storage/transport) | 5 % ... 95 % (non-condensing) |

Approval data

Conformity/Approvals

| | |
|------------------|--|
| Conformance | CE-compliant |
| UL, USA | UL 61010-1 |
| UL, USA / Canada | Class I, Div. 2, Groups A, B, C, D T4A |
| Noxious gas test | ISA-S71.04-1985 G3 Harsh Group A |

Ex data

| | |
|-------|---|
| ATEX | DEMKO 18ATEX 2026X: II 3 G Ex ec IIC T4 Gc |
| IECEX | IECEX UL 18.0023X Ex ec IIC T4 Gc |

EMC data

| | |
|-------------------------------|---|
| Electromagnetic compatibility | Conformance with EMC Directive 2014/30/EU |
| Noise emission | EN 61000-6-4 |
| Noise immunity | EN 61000-6-2:2005 |

Standards and regulations

| | |
|-----------------------|--------------------|
| Standards/regulations | EN 55022, EN 55024 |
|-----------------------|--------------------|

Mounting

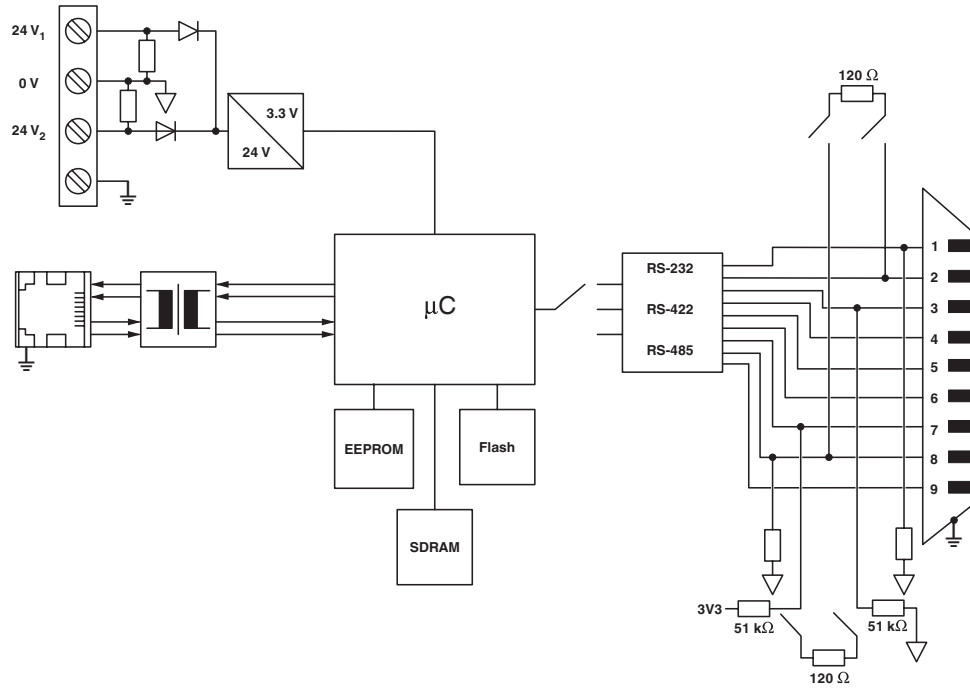
| | |
|---------------|-------------------|
| Mounting type | DIN rail mounting |
|---------------|-------------------|

1062423

<https://www.phoenixcontact.com/us/products/1062423>

Drawings

Block diagram



GW EIP/MODBUS 1E/2DB9 - Interface converters



1062423

<https://www.phoenixcontact.com/us/products/1062423>

Approvals



UL Listed

Approval ID: FILE E 238705



cUL Listed

Approval ID: FILE E 238705



IECEX

Approval ID: IECEX UL 18.0023X



cUL Listed

Approval ID: FILE E 196811



UL Listed

Approval ID: FILE E 196811



ATEX

Approval ID: DEMKO 18 ATEX 2026X

GW EIP/MODBUS 1E/2DB9 - Interface converters



1062423

<https://www.phoenixcontact.com/us/products/1062423>

Classifications

ECLASS

| | |
|---------------|----------|
| ECLASS-10.0.1 | 19179290 |
| ECLASS-11.0 | 27242208 |

ETIM

| | |
|----------|----------|
| ETIM 8.0 | EC000310 |
|----------|----------|

UNSPSC

| | |
|-------------|----------|
| UNSPSC 21.0 | 43222600 |
|-------------|----------|

GW EIP/MODBUS 1E/2DB9 - Interface converters



1062423

<https://www.phoenixcontact.com/us/products/1062423>

Environmental Product Compliance

| | |
|------------|--|
| China RoHS | Environmentally Friendly Use Period = 50 years |
| | For information on hazardous substances, refer to the manufacturer's declaration available under "Downloads" |

GW EIP/MODBUS 1E/2DB9 - Interface converters



1062423

<https://www.phoenixcontact.com/us/products/1062423>

Accessories

PSM-KA9SUB9/BB/2METER - Data cable

2799474

<https://www.phoenixcontact.com/us/products/2799474>

RS-232 cable, 9-pos. D-SUB socket on 9-pos. D-SUB socket, 9-wire, 1:1



SUBCON 9/F-SH - D-SUB bus connector

2761499

<https://www.phoenixcontact.com/us/products/2761499>

D-SUB plug, 9-pos. female connector, one 35° cable entry, universal type for all systems, pin assignment: 1, 2, 3, 4, 5, 6, 7, 8, 9 to screw connection terminal block



GW EIP/MODBUS 1E/2DB9 - Interface converters



1062423

<https://www.phoenixcontact.com/us/products/1062423>

SUBCON-PLUS-F/AX 9 - D-SUB bus connector

2311797

<https://www.phoenixcontact.com/us/products/2311797>



D-SUB connector, 9-pos. female connector, axial version with two cable entries, universal type for all systems, pin assignment: 1, 2, 3, 4, 5, 6, 7, 8, 9 to screw connection terminal block

PSM-AD-D9-NULLMODEM - Adapter

2708753

<https://www.phoenixcontact.com/us/products/2708753>

V.24 (RS-232) zero modem connector



GW EIP/MODBUS 1E/2DB9 - Interface converters



1062423

<https://www.phoenixcontact.com/us/products/1062423>

FL CAT5 PATCH 0,5 - Patch cable

2832263

<https://www.phoenixcontact.com/us/products/2832263>

Patch cable, CAT5, assembled, 0.5 m



FL CAT5 PATCH 5,0 - Patch cable

2832580

<https://www.phoenixcontact.com/us/products/2832580>

Patch cable, CAT5, assembled, 5 m



GW EIP/MODBUS 1E/2DB9 - Interface converters



1062423

<https://www.phoenixcontact.com/us/products/1062423>

FL SWITCH SFN 5TX - Industrial Ethernet Switch

2891152

<https://www.phoenixcontact.com/us/products/2891152>



Ethernet switch, 5 TP RJ45 ports, automatic detection of data transmission speed of 10 or 100 Mbps (RJ45), autocrossing function

DT-LAN-CAT.6+ - Surge protection device

2881007

<https://www.phoenixcontact.com/us/products/2881007>



Surge protection in accordance with Class E_A (CAT6_A), for Gigabit Ethernet (up to 10 Gbps), token ring, FDDI/CDDI, ISDN, and DS1. Suitable for Power over Ethernet (PoE++ / 4PPoE) "Mode A" and "Mode B". RJ45 attachment plug with separate grounding cable and ground connection snap-on foot for NS 35 DIN rails.

GW EIP/MODBUS 1E/2DB9 - Interface converters



1062423

<https://www.phoenixcontact.com/us/products/1062423>

SUBCON-PLUS 9/F - D-SUB bus connector

2744241

<https://www.phoenixcontact.com/us/products/2744241>



D-SUB connector, 9-pos. female connector, two 35° cable entries, universal type for all systems, pin assignment: 1, 2, 3, 4, 5, 6, 7, 8, 9 to one screw connection terminal block

SUBCON-PLUS F2 - D-SUB bus connector

2799490

<https://www.phoenixcontact.com/us/products/2799490>



D-SUB connector, 9-pos. female connector, two 35° cable entries, bus system: CAN, SUCONET K1, K2 (MOELLER), S-BUS (Saia), J-BUS (Merlin Gerin), pin assignment: 2, 3, 4, 5, 7, 9 to two screw connection terminal blocks

GW EIP/MODBUS 1E/2DB9 - Interface converters



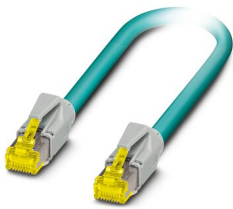
1062423

<https://www.phoenixcontact.com/us/products/1062423>

NBC-R4AC-R4AC-IE8A/.../... - Patch cable

1411854

<https://www.phoenixcontact.com/us/products/1411854>

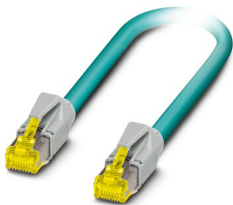


Patch cable, degree of protection: IP20, number of positions: 8, 10 Gbps, CAT6_A, cable outlet: straight, Ethernet

NBC-R4AC/10G-R4AC/10G-94F/3,0 - Patch cable

1408365

<https://www.phoenixcontact.com/us/products/1408365>



Patch cable, CAT6_A, 4-pair, shielded, connection not crossed (line), assembled at both ends with RJ45/IP20 connectors, outer sheath material: PUR, length: 3.0 m

GW EIP/MODBUS 1E/2DB9 - Interface converters



1062423

<https://www.phoenixcontact.com/us/products/1062423>

VS-08-RJ45-5-Q/IP20 - RJ45 connector

1656725

<https://www.phoenixcontact.com/us/products/1656725>



RJ45 connector, design: RJ45, degree of protection: IP20, number of positions: 8, 1 Gbps, CAT5 (IEC 11801:2002), material: Plastic, connection method: Insulation displacement connection, connection cross section: AWG 26- 23, cable outlet: straight, color: traffic grey A RAL 7042, Ethernet

VS-08-RJ45-10G/Q - RJ45 connector

1419001

<https://www.phoenixcontact.com/us/products/1419001>



RJ45 connector, design: RJ45, degree of protection: IP20, number of positions: 8, 10 Gbps, CAT6_A, material: Plastic, connection method: Insulation displacement connection, cable outlet: straight, color: black, Ethernet

GW EIP/MODBUS 1E/2DB9 - Interface converters



1062423

<https://www.phoenixcontact.com/us/products/1062423>

VS-09-BU-DSUB-EG - Contact insert

1688803

<https://www.phoenixcontact.com/us/products/1688803>



D-SUB contact insert, shell size 1, with nine signal contacts, type of contact socket, with solder cup, straight, fixing with a 3 mm hole, for panel mounting frame and sleeve housing VS-09-...

VS-09-ST-DSUB-EG - Contact insert

1688793

<https://www.phoenixcontact.com/us/products/1688793>



D-SUB contact insert, shell size 1, with nine signal contacts, type of contact pin, with solder cup, straight, fixing with a 3 mm hole, for panel mounting frame and sleeve housing VS-09-...

GW EIP/MODBUS 1E/2DB9 - Interface converters



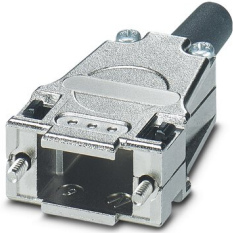
1062423

<https://www.phoenixcontact.com/us/products/1062423>

CUC-DST-GZNI-S/DSSC9 - D-SUB sleeve housings

1419722

<https://www.phoenixcontact.com/us/products/1419722>

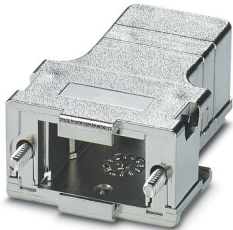


D-SUB sleeve housings, degree of protection: IP20, material: Zinc die-cast, cable outlet: straight, housing size: 1, color: Bare metallic

CUC-DST-GPME-S/DSSC9 - D-SUB sleeve housings

1419705

<https://www.phoenixcontact.com/us/products/1419705>



D-SUB sleeve housings, degree of protection: IP20, material: ABS, metal-plated, cable outlet: straight, housing size: 1, color: Bare metallic

GW EIP/MODBUS 1E/2DB9 - Interface converters



1062423

<https://www.phoenixcontact.com/us/products/1062423>

PSM-ME-RS232/RS232-P - Interface converter

2744461

<https://www.phoenixcontact.com/us/products/2744461>



Interface converter, for the isolation of RS-232 (V.24) interfaces, 4 channels, rail-mountable

PSM-ME-RS485/RS485-P - Repeater

2744429

<https://www.phoenixcontact.com/us/products/2744429>



Repeater, for potential separation and range increase in RS-485 2-wire bus systems, 3-way isolation, rail-mountable

GW EIP/MODBUS 1E/2DB9 - Interface converters



1062423

<https://www.phoenixcontact.com/us/products/1062423>

TTC-6P-3-HF-F-M-24DC-PT-I - Surge protection device

2906797

<https://www.phoenixcontact.com/us/products/2906797>



Surge protection, consisting of protective plug and base element, with integrated status indicator and knife disconnection for three signal wires with common reference potential. For HF applications and telecommunications interfaces without supply voltage. Indirect grounding via gas discharge tube, Ex e approval for zone 2.

TTC-6P-3-HF-F-M-12DC-UT-I - Surge protection device

2906786

<https://www.phoenixcontact.com/us/products/2906786>



Surge protection, consisting of protective plug and base element, with integrated status indicator and knife disconnection for three signal wires with common reference potential. For HF applications and telecommunications interfaces without supply voltage. Indirect grounding via gas discharge tube, Ex e approval for zone 2.

Phoenix Contact 2023 © - all rights reserved
<https://www.phoenixcontact.com>

Phoenix Contact USA
586 Fulling Mill Road
Middletown, PA 17057, United States
(+717) 944-1300
info@phoenixcon.com