



MICROCHIP

MIC2132
Evaluation Board
User's Guide

Note the following details of the code protection feature on Microchip products:

- Microchip products meet the specifications contained in their particular Microchip Data Sheet.
- Microchip believes that its family of products is secure when used in the intended manner, within operating specifications, and under normal conditions.
- Microchip values and aggressively protects its intellectual property rights. Attempts to breach the code protection features of Microchip product is strictly prohibited and may violate the Digital Millennium Copyright Act.
- Neither Microchip nor any other semiconductor manufacturer can guarantee the security of its code. Code protection does not mean that we are guaranteeing the product is “unbreakable”. Code protection is constantly evolving. Microchip is committed to continuously improving the code protection features of our products.

This publication and the information herein may be used only with Microchip products, including to design, test, and integrate Microchip products with your application. Use of this information in any other manner violates these terms. Information regarding device applications is provided only for your convenience and may be superseded by updates. It is your responsibility to ensure that your application meets with your specifications. Contact your local Microchip sales office for additional support or, obtain additional support at <https://www.microchip.com/en-us/support/design-help/client-support-services>.

THIS INFORMATION IS PROVIDED BY MICROCHIP "AS IS". MICROCHIP MAKES NO REPRESENTATIONS OR WARRANTIES OF ANY KIND WHETHER EXPRESS OR IMPLIED, WRITTEN OR ORAL, STATUTORY OR OTHERWISE, RELATED TO THE INFORMATION INCLUDING BUT NOT LIMITED TO ANY IMPLIED WARRANTIES OF NON-INFRINGEMENT, MERCHANTABILITY, AND FITNESS FOR A PARTICULAR PURPOSE, OR WARRANTIES RELATED TO ITS CONDITION, QUALITY, OR PERFORMANCE.

IN NO EVENT WILL MICROCHIP BE LIABLE FOR ANY INDIRECT, SPECIAL, PUNITIVE, INCIDENTAL, OR CONSEQUENTIAL LOSS, DAMAGE, COST, OR EXPENSE OF ANY KIND WHATSOEVER RELATED TO THE INFORMATION OR ITS USE, HOWEVER CAUSED, EVEN IF MICROCHIP HAS BEEN ADVISED OF THE POSSIBILITY OR THE DAMAGES ARE FORESEEABLE. TO THE FULLEST EXTENT ALLOWED BY LAW, MICROCHIP'S TOTAL LIABILITY ON ALL CLAIMS IN ANY WAY RELATED TO THE INFORMATION OR ITS USE WILL NOT EXCEED THE AMOUNT OF FEES, IF ANY, THAT YOU HAVE PAID DIRECTLY TO MICROCHIP FOR THE INFORMATION.

Use of Microchip devices in life support and/or safety applications is entirely at the buyer's risk, and the buyer agrees to defend, indemnify and hold harmless Microchip from any and all damages, claims, suits, or expenses resulting from such use. No licenses are conveyed, implicitly or otherwise, under any Microchip intellectual property rights unless otherwise stated.

For information regarding Microchip's Quality Management Systems, please visit www.microchip.com/quality.

Trademarks

The Microchip name and logo, the Microchip logo, Adaptec, AnyRate, AVR, AVR logo, AVR Freaks, BesTime, BitCloud, CryptoMemory, CryptoRF, dsPIC, flexPWR, HELDO, IGLOO, JukeBlox, KeeLoq, Kleer, LANCheck, LinkMD, maXStylus, maXTouch, MediaLB, megaAVR, Microsemi, Microsemi logo, MOST, MOST logo, MPLAB, OptoLyzer, PIC, picoPower, PICSTART, PIC32 logo, PolarFire, Prochip Designer, QTouch, SAM-BA, SenGenuity, SpyNIC, SST, SST Logo, SuperFlash, Symmetricom, SyncServer, Tachyon, TimeSource, tinyAVR, UNI/O, Vectron, and XMEGA are registered trademarks of Microchip Technology Incorporated in the U.S.A. and other countries.

AgileSwitch, APT, ClockWorks, The Embedded Control Solutions Company, EtherSynch, Flashtec, Hyper Speed Control, HyperLight Load, IntelliMOS, Libero, motorBench, mTouch, Powermite 3, Precision Edge, ProASIC, ProASIC Plus, ProASIC Plus logo, QuietWire, SmartFusion, SyncWorld, Temux, TimeCesium, TimeHub, TimePictra, TimeProvider, TrueTime, WinPath, and ZL are registered trademarks of Microchip Technology Incorporated in the U.S.A.

Adjacent Key Suppression, AKS, Analog-for-the-Digital Age, Any Capacitor, AnyIn, AnyOut, Augmented Switching, BlueSky, BodyCom, CodeGuard, CryptoAuthentication, CryptoAutomotive, CryptoCompanion, CryptoController, dsPICDEM, dsPICDEM.net, Dynamic Average Matching, DAM, ECAN, Espresso T1S, EtherGREEN, GridTime, IdealBridge, In-Circuit Serial Programming, ICSP, INICnet, Intelligent Paralleling, Inter-Chip Connectivity, JitterBlocker, Knob-on-Display, maxCrypto, maxView, memBrain, Mindi, MiWi, MPASM, MPF, MPLAB Certified logo, MPLIB, MPLINK, MultiTRAK, NetDetach, NVM Express, NVMe, Omniscient Code Generation, PICDEM, PICDEM.net, PICkit, PICTail, PowerSmart, PureSilicon, QMatrix, REAL ICE, Ripple Blocker, RTAX, RTG4, SAM-ICE, Serial Quad I/O, simpleMAP, SimpliPHY, SmartBuffer, SmartHLS, SMART-I.S., storClad, SQL, SuperSwitcher, SuperSwitcher II, Switchtec, SynchroPHY, Total Endurance, TSHARC, USBCheck, VariSense, VectorBlox, VeriPHY, ViewSpan, WiperLock, XpressConnect, and ZENA are trademarks of Microchip Technology Incorporated in the U.S.A. and other countries.

SQTP is a service mark of Microchip Technology Incorporated in the U.S.A.

The Adaptec logo, Frequency on Demand, Silicon Storage Technology, Symmcom, and Trusted Time are registered trademarks of Microchip Technology Inc. in other countries.

GestIC is a registered trademark of Microchip Technology Germany II GmbH & Co. KG, a subsidiary of Microchip Technology Inc., in other countries.

All other trademarks mentioned herein are property of their respective companies.

© 2022, Microchip Technology Incorporated and its subsidiaries.

All Rights Reserved.

ISBN: 978-1-6683-1571-2

Table of Contents

Preface	5
Introduction.....	5
Document Layout	5
Conventions Used in this Guide	6
Recommended Reading.....	6
The Microchip Website	7
Customer Support	7
Document Revision History	7
 Chapter 1. Product Overview	
1.1 Introduction	9
1.2 MIC2132 Device Overview	9
1.3 MIC2132 Device Key Features	9
1.4 MIC2132 Evaluation Board Kit Contents	10
 Chapter 2. Installation and Operation	
2.1 Introduction	13
2.2 Setup and Configuration	14
 Appendix A. Schematics and Layouts	
A.1 Introduction	15
A.2 EV66F86A Board – Schematics	16
A.3 EV66F86A Board – Top Silk	20
A.4 EV66F86A Board – Top Copper and Silk	20
A.5 EV66F86A Board – Top Copper	21
A.6 EV66F86A Board – Inner 1 Copper	21
A.7 EV66F86A Board – Inner 2 Copper	22
A.8 EV66F86A Board – Inner 3 Copper	22
A.9 EV66F86A Board – Inner 4 Copper	23
A.10 EV66F86A Board – Bottom Silk	23
A.11 EV66F86A Board – Bottom Copper and Silk	24
A.12 EV66F86A Board – Bottom Copper	24
 Appendix B. Bill of Materials (BOM)	25
 Appendix C. Board Waveforms and Performance Curves	
C.1 Main Waveforms	29
C.2 Performance Curves	33
 Worldwide Sales and Service	37

MIC2132 Evaluation Board User's Guide

NOTES:

Preface

NOTICE TO CUSTOMERS

All documentation becomes dated, and this manual is no exception. Microchip tools and documentation are constantly evolving to meet customer needs, so some actual dialogs and/or tool descriptions may differ from those in this document. Please refer to our website (www.microchip.com) to obtain the latest documentation available.

Documents are identified with a “DS” number. This number is located on the bottom of each page, in front of the page number. The numbering convention for the DS number is “DSXXXXXXXXA”, where “XXXXXXXX” is the document number and “A” is the revision level of the document.

For the most up-to-date information on development tools, see the MPLAB® IDE online help. Select the Help menu, and then Topics to open a list of available online help files.

INTRODUCTION

This chapter contains general information that will be useful to know before using the MIC2132 Evaluation Board. Items discussed in this chapter include:

- [Document Layout](#)
- [Conventions Used in this Guide](#)
- [Recommended Reading](#)
- [The Microchip Website](#)
- [Customer Support](#)
- [Document Revision History](#)

DOCUMENT LAYOUT

This document describes how to use the MIC2132 Evaluation Board as a development. The manual layout is as follows:

- **Chapter 1. “Product Overview”** – Important information about the MIC2132 Evaluation Board.
- **Chapter 2. “Installation and Operation”** – Includes instructions on installing and using the MIC2132 Evaluation Board.
- **Appendix A. “Schematics and Layouts”** – Shows the schematic and layout diagrams for the MIC2132 Evaluation Board.
- **Appendix B. “Bill of Materials (BOM)”** – Lists the parts used to build the MIC2132 Evaluation Board.
- **Appendix C. “Board Waveforms and Performance Curves”** – Shows the behavior and performance of the MIC2132 Evaluation Board in numbers.

MIC2132 Evaluation Board User's Guide

CONVENTIONS USED IN THIS GUIDE

This manual uses the following documentation conventions:

DOCUMENTATION CONVENTIONS

Description	Represents	Examples
Arial font:		
Italic characters	Referenced books	<i>MPLAB® IDE User's Guide</i>
	Emphasized text	...is the <i>only</i> compiler...
Initial caps	A window	the Output window
	A dialog	the Settings dialog
	A menu selection	select Enable Programmer
Quotes	A field name in a window or dialog	"Save project before build"
Underlined, italic text with right angle bracket	A menu path	<u>File</u> > <i>Save</i>
Bold characters	A dialog button	Click OK
	A tab	Click the Power tab
N'Rnnnn	A number in verilog format, where N is the total number of digits, R is the radix and n is a digit.	4'b0010, 2'hF1
Text in angle brackets < >	A key on the keyboard	Press <Enter>, <F1>
Courier New font:		
Plain Courier New	Sample source code	#define START
	Filenames	autoexec.bat
	File paths	c:\mcc18\h
	Keywords	_asm, _endasm, static
	Command-line options	-Opa+, -Opa-
	Bit values	0, 1
	Constants	0xFF, 'A'
Italic Courier New	A variable argument	<i>file.o</i> , where <i>file</i> can be any valid filename
Square brackets []	Optional arguments	mcc18 [options] <i>file</i> [options]
Curly brackets and pipe character: { }	Choice of mutually exclusive arguments; an OR selection	errorlevel {0 1}
Ellipses...	Replaces repeated text	var_name [, var_name...]
	Represents code supplied by user	void main (void) { ... }

RECOMMENDED READING

This user's guide describes how to use the MIC2132 Evaluation Board, EV66F86A. Another useful document is listed below. The following Microchip document is available and recommended as a supplemental reference resource.

- **MIC2132 Data Sheet – “75V” (DS20006654).**

THE MICROCHIP WEBSITE

Microchip provides online support via our website at www.microchip.com. This website is used as a means to make files and information easily available to customers. Accessible by using your favorite Internet browser, the website contains the following information:

- **Product Support** – Data sheets and errata, application notes and sample programs, design resources, user's guides and hardware support documents, latest software releases and archived software
- **General Technical Support** – Frequently Asked Questions (FAQs), technical support requests, online discussion groups, Microchip consultant program member listing
- **Business of Microchip** – Product selector and ordering guides, latest Microchip press releases, listing of seminars and events, listings of Microchip sales offices, distributors and factory representatives

CUSTOMER SUPPORT

Users of Microchip products can receive assistance through several channels:

- Distributor or Representative
- Local Sales Office
- Field Application Engineer (FAE)
- Technical Support

Customers should contact their distributor, representative or field application engineer (FAE) for support. Local sales offices are also available to help customers. A listing of sales offices and locations is included in the back of this document.

Technical support is available through the website at:
<https://www.microchip.com/support>.

DOCUMENT REVISION HISTORY

Revision A (November 2022)

- Initial release of this document.

MIC2132 Evaluation Board User's Guide

NOTES:

Chapter 1. Product Overview

1.1 INTRODUCTION

This chapter provides an overview of the MIC2132 Evaluation Board and covers the following:

- [MIC2132 Device Overview](#)
- [MIC2132 Device Key Features](#)
- [MIC2132 Evaluation Board Kit Contents](#)

1.2 MIC2132 DEVICE OVERVIEW

The MIC2132 is a constant on-time, dual phase synchronous buck controller featuring a unique adaptive on-time control architecture with a stackable feature of up to eight phases. The MIC2132 operates over an input supply range from 4.5V to 75V and can be used to supply up to 50A of output current/phase. The output voltage is adjustable down to 0.6V with an ensured accuracy of $\pm 1\%$. The device operates with a programmable switching frequency from 100 kHz to 800 kHz per phase.

The MIC2132 is available in a 32-pin 5 mm x 5 mm VQFN package, with a -40°C to $+125^{\circ}\text{C}$ junction operating temperature range.

1.3 MIC2132 DEVICE KEY FEATURES

- Input Voltage Range: 4.5V to 75V
- Adjustable Output from 0.6V to 32V
- Adaptive Constant on Time Control
 - High Delta V Operation
 - Any Capacitor™ Stable
- 0.6V Internal Reference with $\pm 1\%$ Accuracy
- Operates in CCM, Stackable for Multiphase Operation Up to Eight Phases
- Ripple Injection from Third Node which Allows Greater than 50% Duty Cycles
- Accurate Current Balancing Between Phases
- Accurate Phasing Between Phases which are Always 180° Out of Phase
- 100 kHz to 800 kHz Switching Frequency per Phase
- High Voltage Internal 5V LDO for Single Supply Operation
- Secondary LDO to Improve System Efficiency
- Supports Start Up to Pre-bias Output
- Remote Sense Amplifier for Tight Output Regulation
- Supports Adaptive Voltage Positioning (AVP) or Droop
- Precision Enable Function for Low Stand-by Current
- External Programmable Soft Start to Reduce Inrush Current
- Programmable Current Limit and Hiccup Short Circuit Protection
- Thermal Shut Down with Hysteresis
- Die Temperature Sense on MIC2132
- Compact Size: 5 x 5 mm 32-pin QFN
- -40°C to $+125^{\circ}\text{C}$ Junction Temperature Range

MIC2132 Evaluation Board User's Guide

1.4 MIC2132 EVALUATION BOARD KIT CONTENTS

The MIC2132 Evaluation Board kit includes the following items:

- MIC2132 Evaluation Board PCB
- Important Information Sheet
- China RoHS Declaration

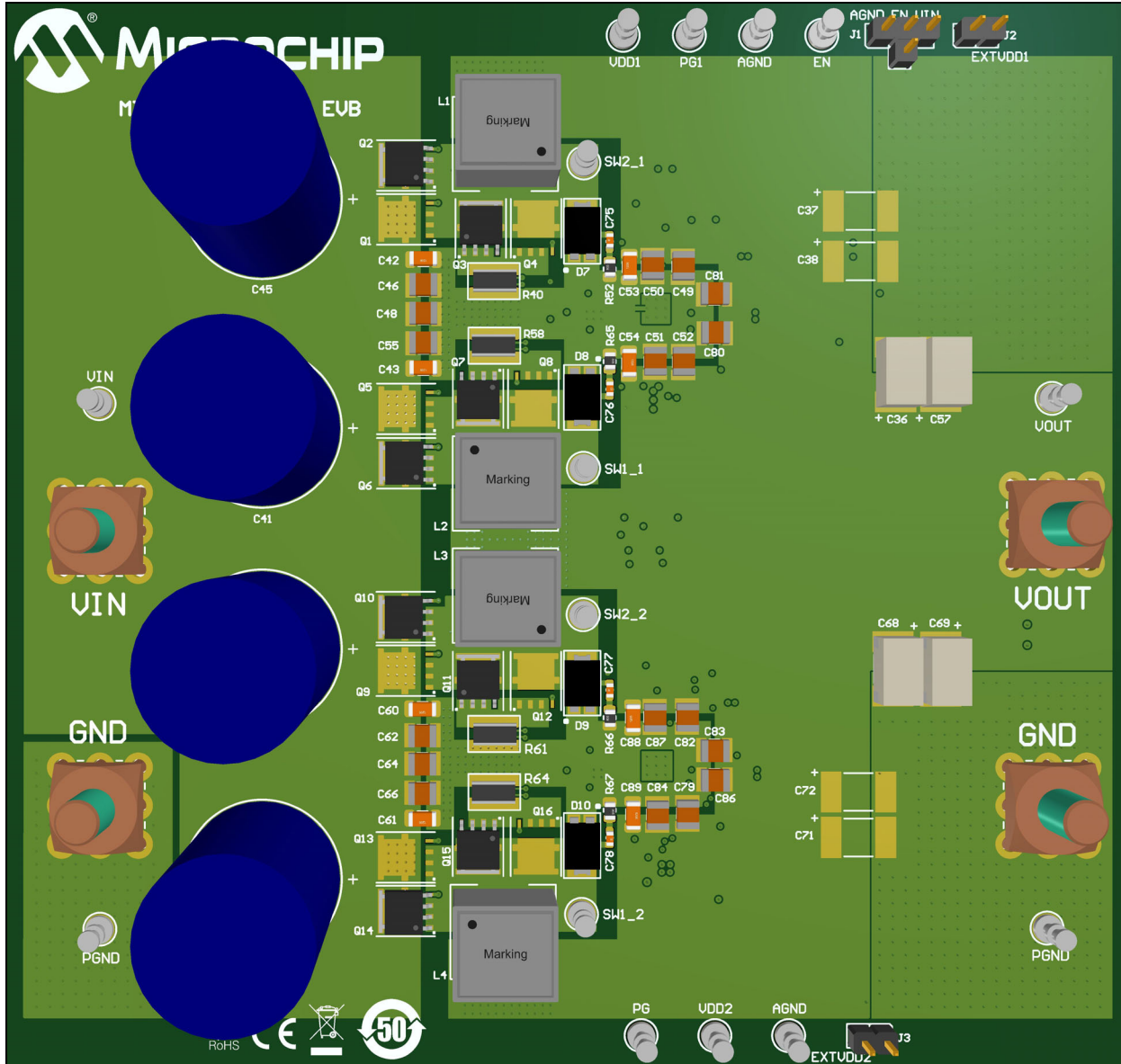


FIGURE 1-1: Typical MIC2132 Evaluation Board, EV66F86A (Top 3D View).

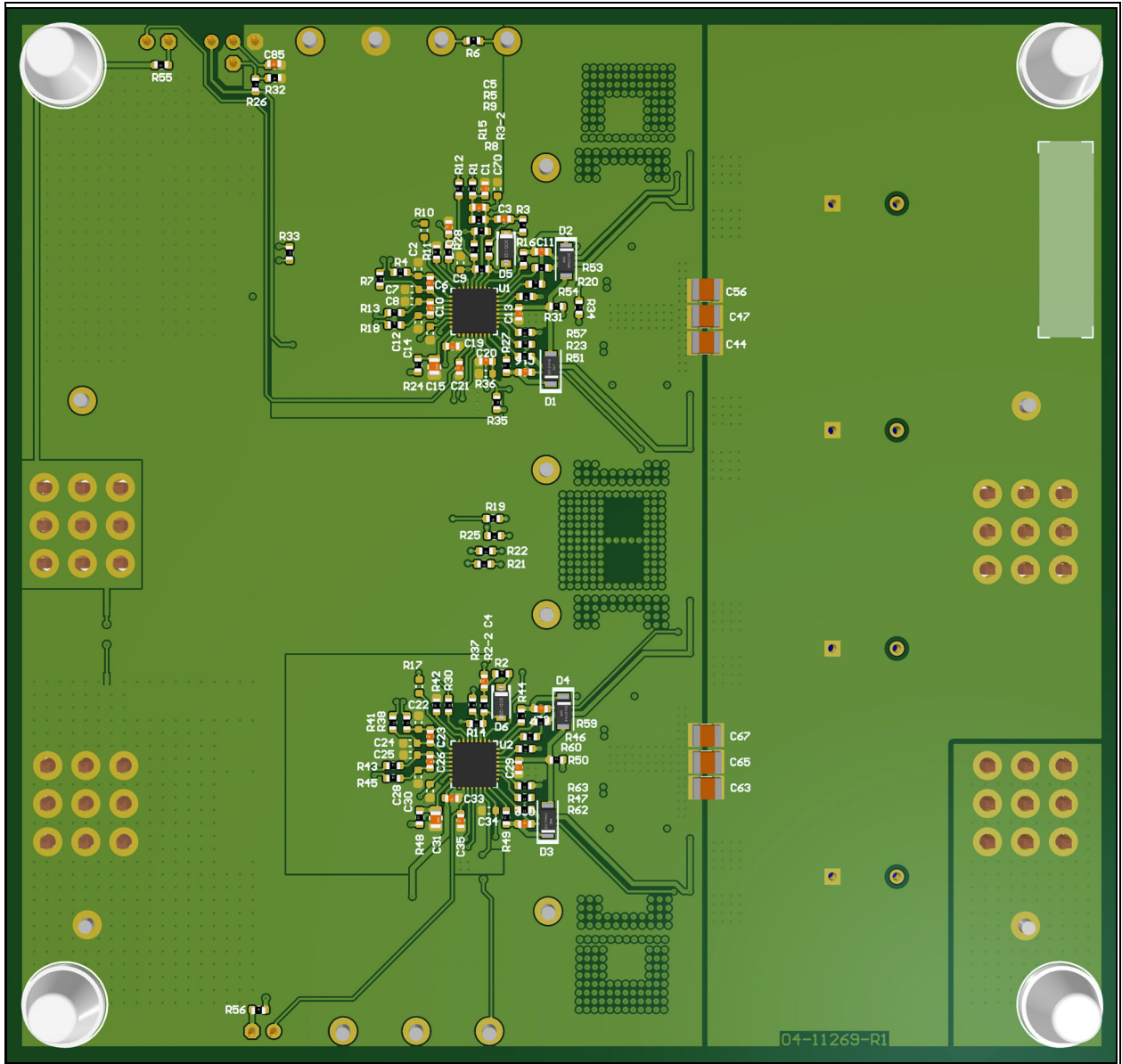


FIGURE 1-2: Typical MIC2132 Evaluation Board, EV66F86A (Bottom 3D View).

MIC2132 Evaluation Board User's Guide

NOTES:

Chapter 2. Installation and Operation

2.1 INTRODUCTION

The MIC2132 Evaluation Board is fully assembled and tested to evaluate and demonstrate the MIC2132 capabilities. The board uses 2 MIC2132 in a 4 phase topology and can deliver an adjustable output voltage between 0.6V and 32V, with a maximum current of 40A when it's supplied with 10-75V input voltage. However, the board is tuned and optimized for 12V input ($\pm 20\%$) and 5V/40A output.

2.1.1 Powering the MIC2132 Evaluation Board

The board is connected directly to a variable DC power supply that can deliver 10V to 75V DC and an output capability of at least 17A (for 12V input). The load could either be a power resistor or an electronic load.

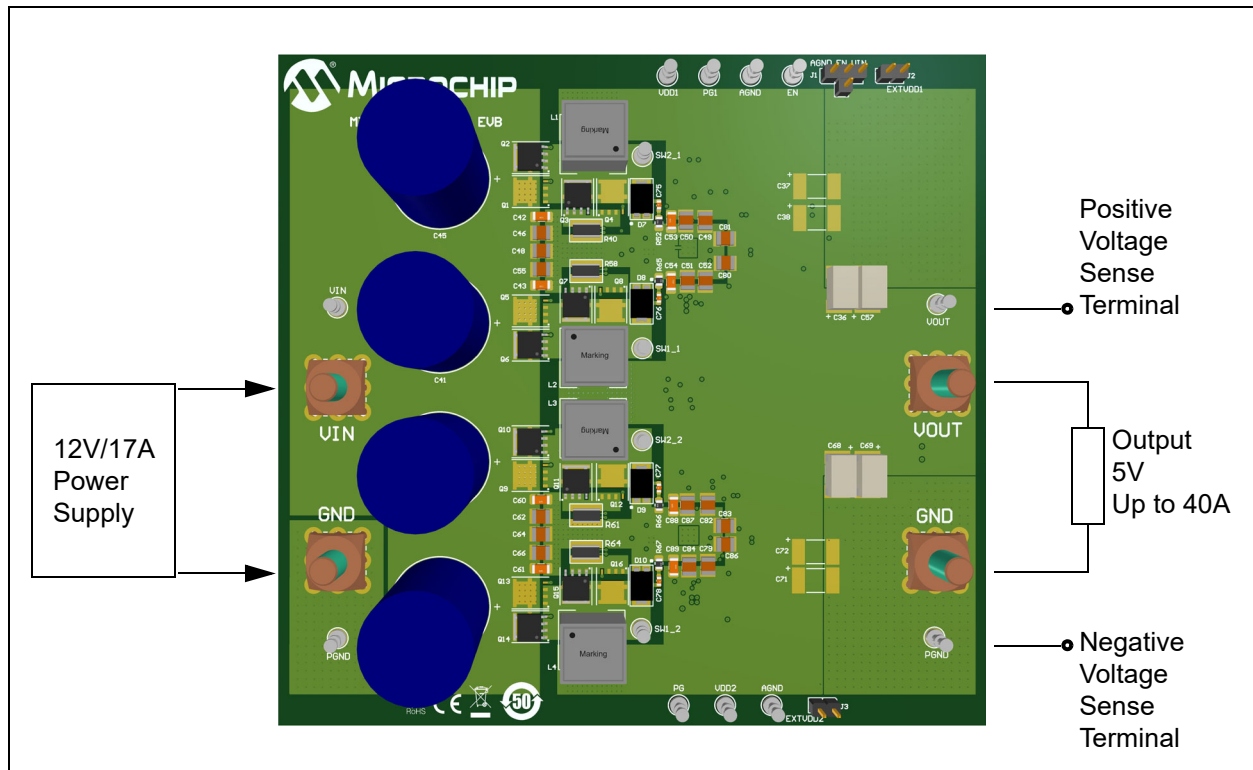


FIGURE 2-1: MIC2132 Evaluation Board Connection Diagram.

MIC2132 Evaluation Board User's Guide

2.2 SETUP AND CONFIGURATION

The output voltage delivered by the MIC2132 Evaluation Board is set to 5V. To enable the IC, a jumper on J1 must be placed vertically, between J1-2 and J1-3 (to pull the enable to VIN) or between J1-2 and J4 (in order to pull the enable to the voltage divider, in this case $\frac{1}{2}$ VIN). MIC2132 also features an internal high voltage LDO. To bypass this LDO, jumpers can be plugged on J2 (EXTVDD1 for U1) and J3 (EXTVDD2 for U2), but only if the board output voltage is greater than 4.7V. If the internal high voltage LDO is to be used, the jumpers should left unconnected. EXTVDD can also be connected to an external voltage from 4.7V up to 13V through the provided test pins – EXTVDD1 (for U1) and EXTVDD2 (for U2).

EXAMPLE 2-1: CALCULATION OF R_{ILIM} FOR BOTTOM RESISTOR CURRENT SENSING

$$I_{LIM} = \frac{0.3V - (0.25 \times V_{ILIM})}{R_{sns}} \quad (1)$$

$$V_{ILIM} = 1.2V - (4 \times R_{sns} \times I_{LIM}) \quad (2)$$

For $I_{LIM} = 10A$ per phase, $R_{sns} = 10 \text{ m}\Omega$ at 25°C , using equation (2)
 $V_{ILIM} = 1.2V - (4 \times 10 \text{ m}\Omega \times 10A) = 0.8V$.

To obtain 0.8V on the I_{LIM} pin, which has a $10 \mu\text{A}$ constant-current source over a constant temperature, a programming equivalent resistor $R_{ILIM} = 0.8V/10 \mu\text{A} = 80 \text{ k}\Omega$, is required.

EXAMPLE 2-2: CALCULATION OF THE FEEDBACK DIVIDER FOR 5V

$$R_{FB(BOT)} = \frac{R_{FB(TOP)}}{\frac{V_{OUT}}{V_{REF}} - 1} \quad (3)$$

For $V_{OUT} = 5V$ having $R_{FB(TOP)} = 20 \text{ k}\Omega$ and $V_{REF} = 0.6V$, using equation (3)
 $R_{FB(BOT)} = 20 \text{ k}\Omega / (5V/0.6V - 1) = 2.72 \text{ k}\Omega$.

Due to tolerances, a $2.4 \text{ k}\Omega$ and 300Ω resistor in series give a calculated output voltage of 5V.

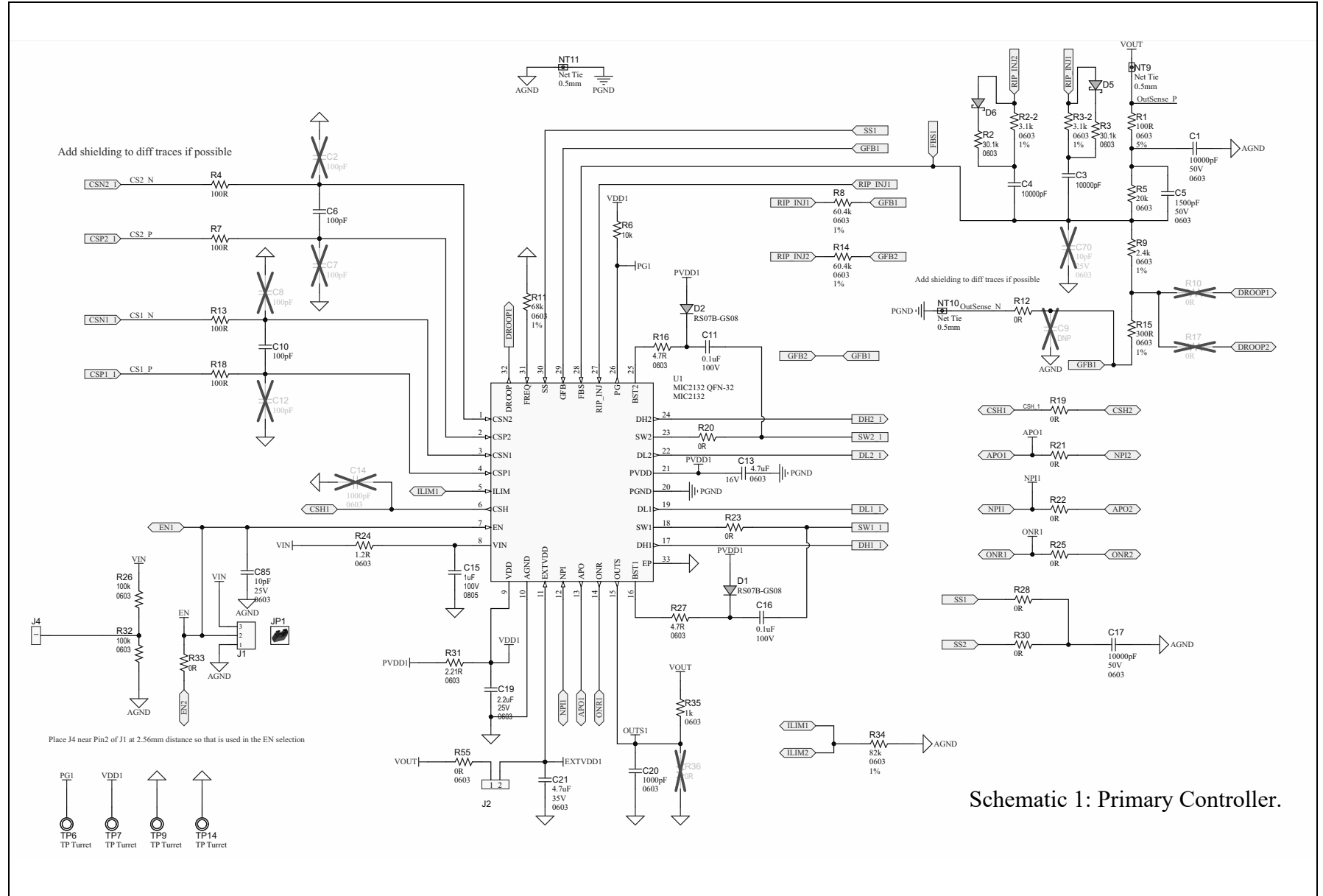
Appendix A. Schematics and Layouts

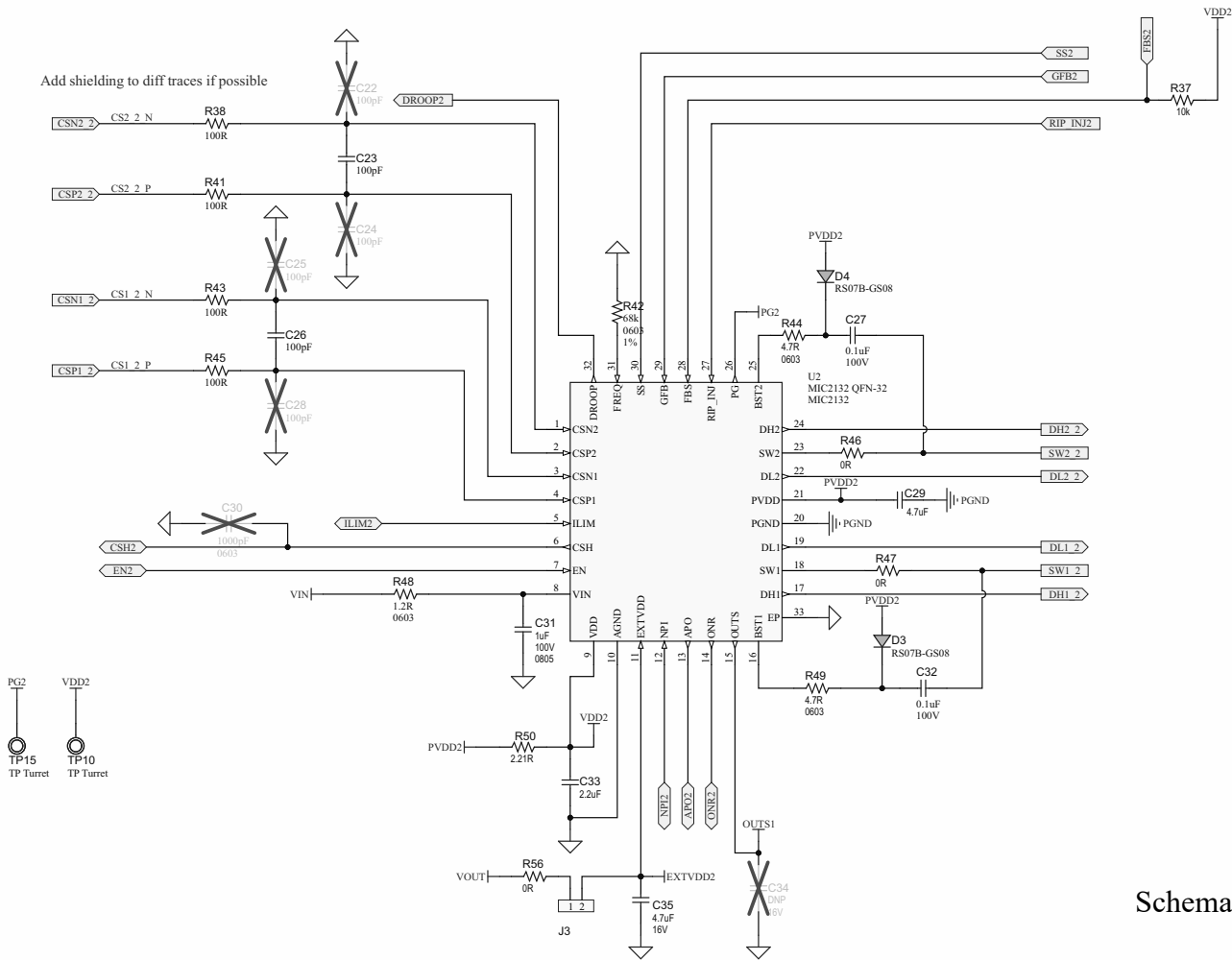
A.1 INTRODUCTION

This appendix contains the schematics and layouts of the MIC2132 Evaluation Board:

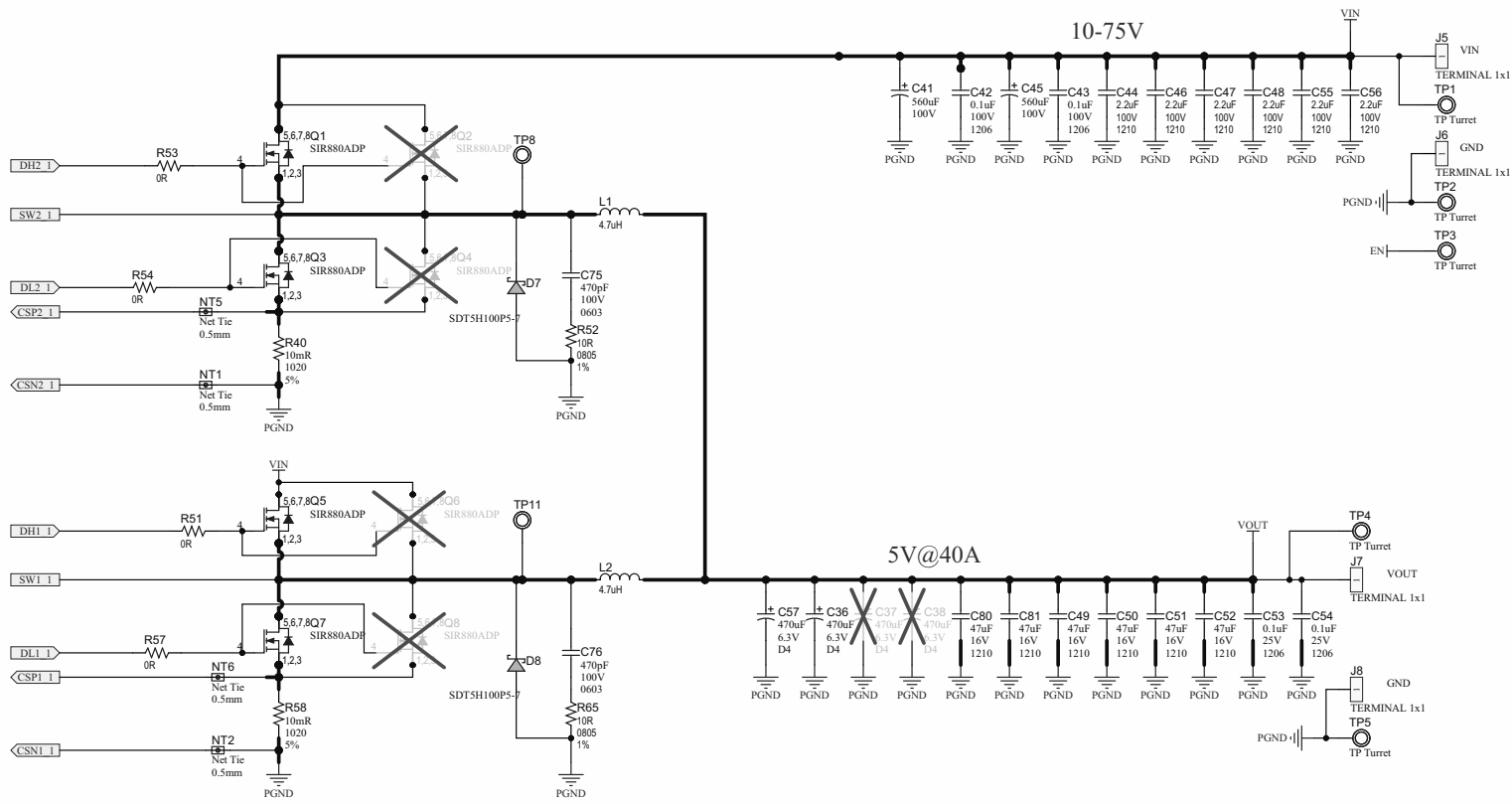
- [EV66F86A Board – Schematics](#)
- [EV66F86A Board – Top Silk](#)
- [EV66F86A Board – Top Copper and Silk](#)
- [EV66F86A Board – Top Copper](#)
- [EV66F86A Board – Inner 1 Copper](#)
- [EV66F86A Board – Inner 2 Copper](#)
- [EV66F86A Board – Inner 3 Copper](#)
- [EV66F86A Board – Inner 4 Copper](#)
- [EV66F86A Board – Bottom Silk](#)
- [EV66F86A Board – Bottom Copper and Silk](#)
- [EV66F86A Board – Bottom Copper](#)

A.2 EV66F86A BOARD – SCHEMATICS

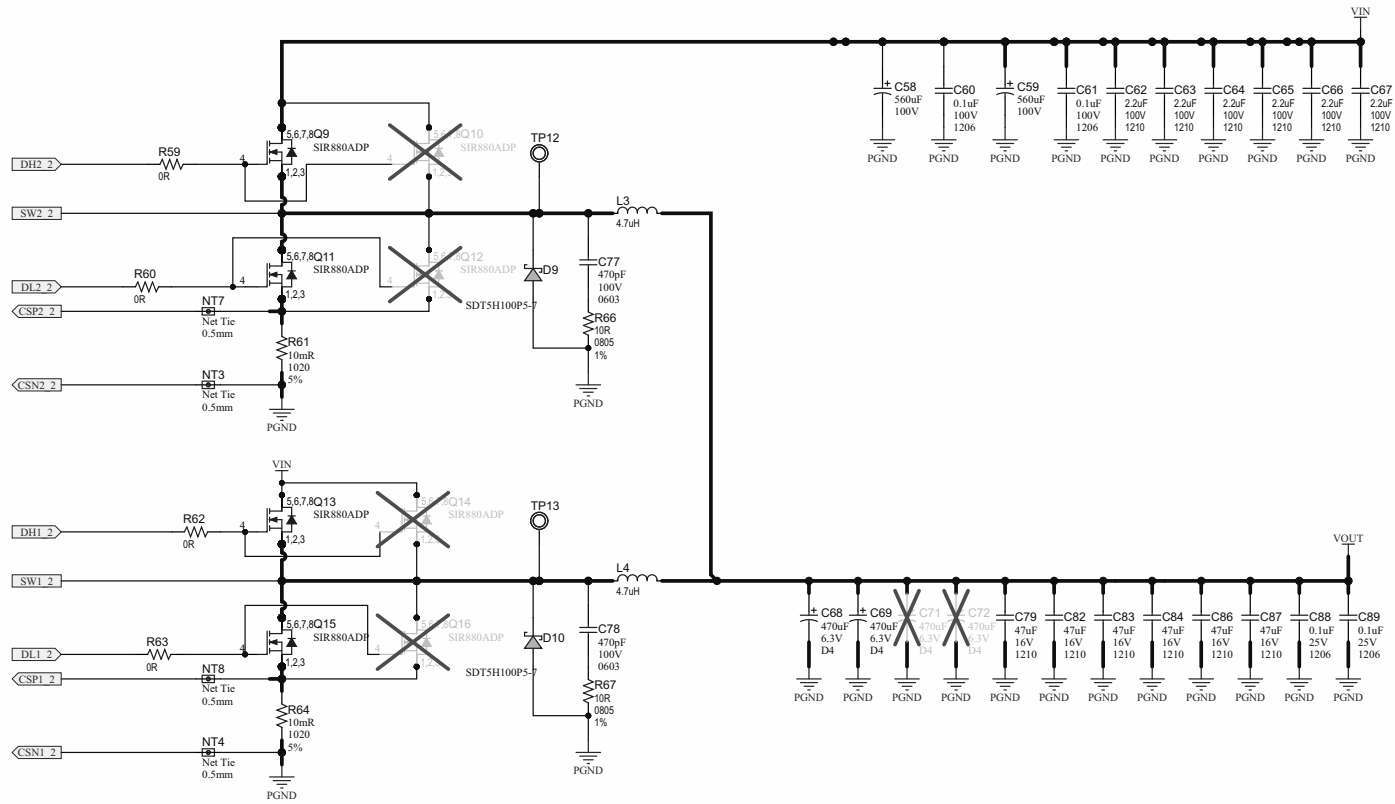




Schematic 2: Secondary Controller.



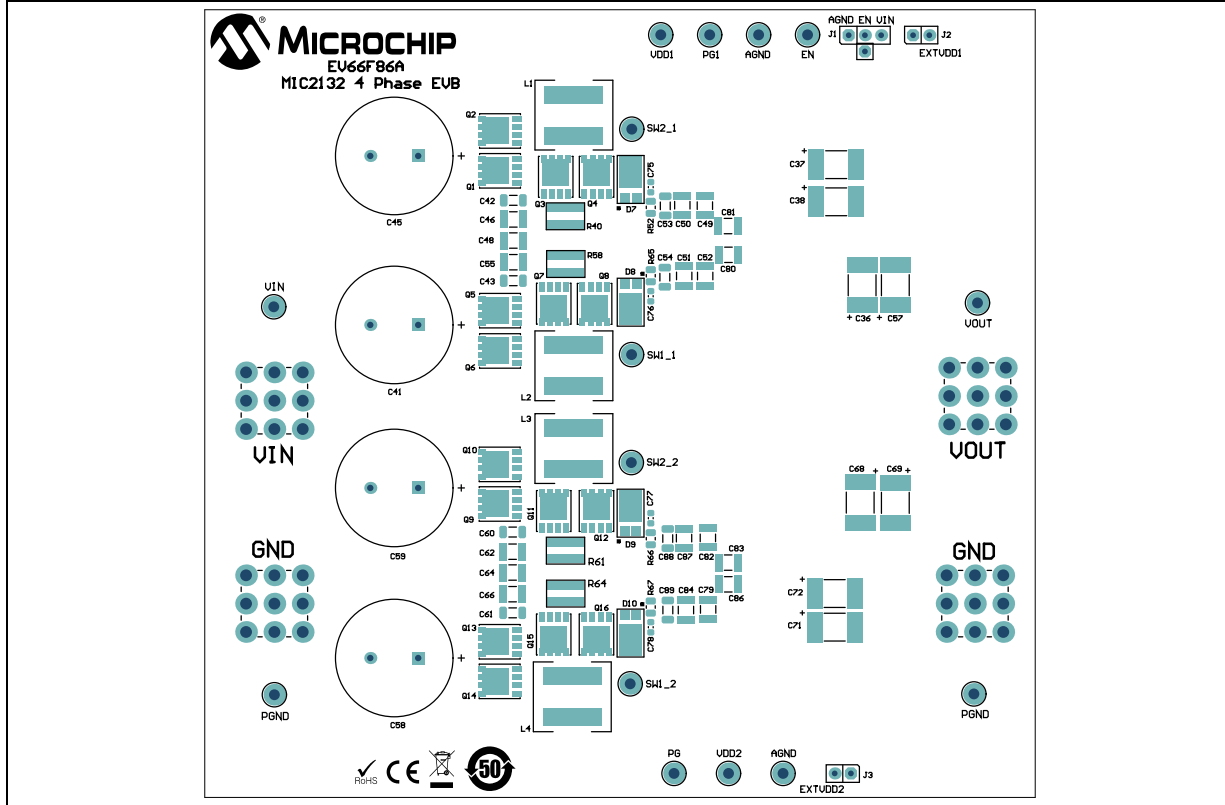
Schematic 3: Power Phases 1-2.



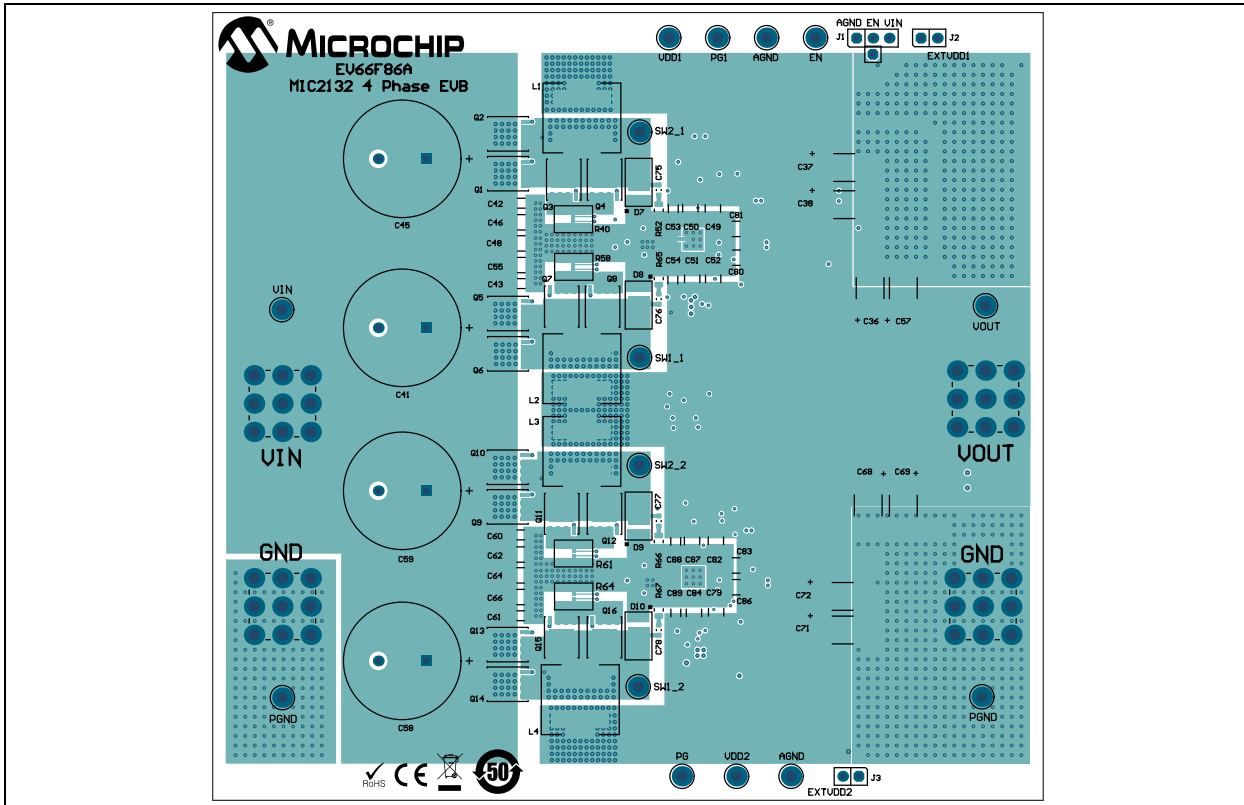
Schematic 4: Power Phases 3-4.

MIC2132 Evaluation Board User's Guide

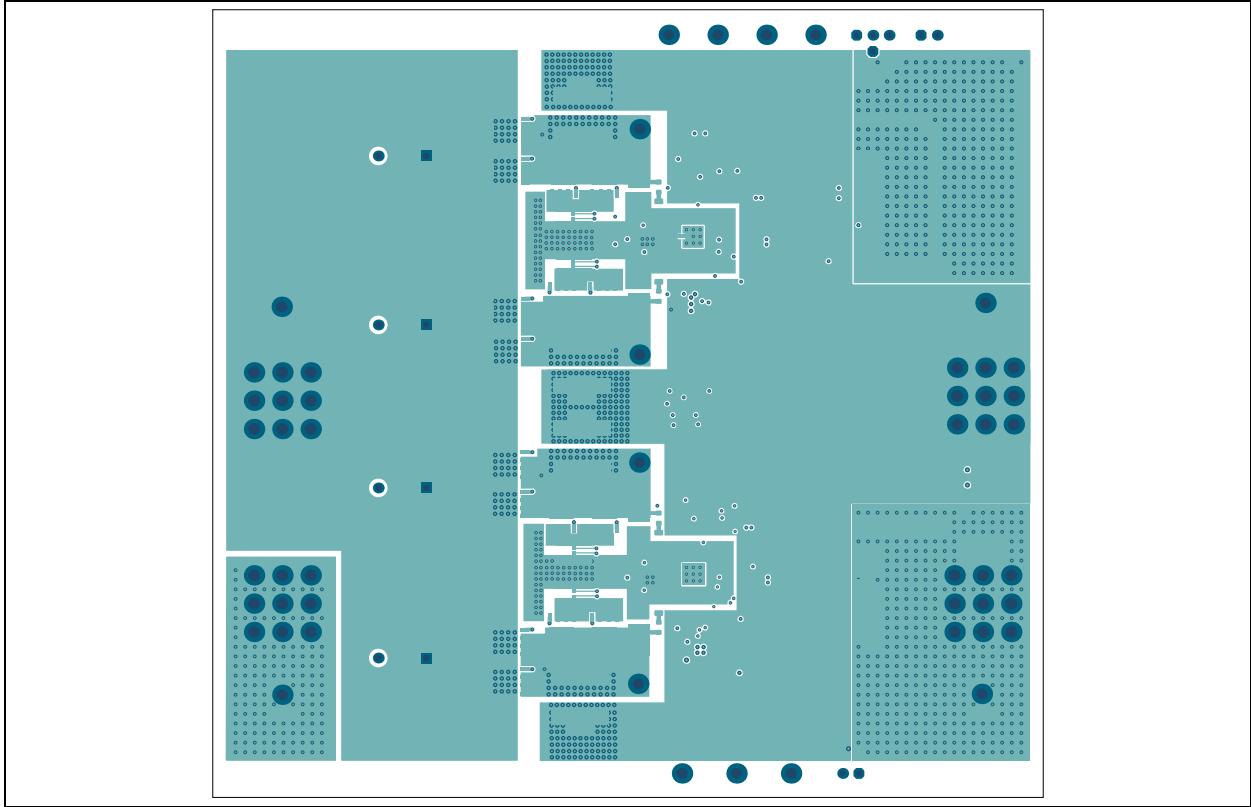
A.3 EV66F86A BOARD – TOP SILK



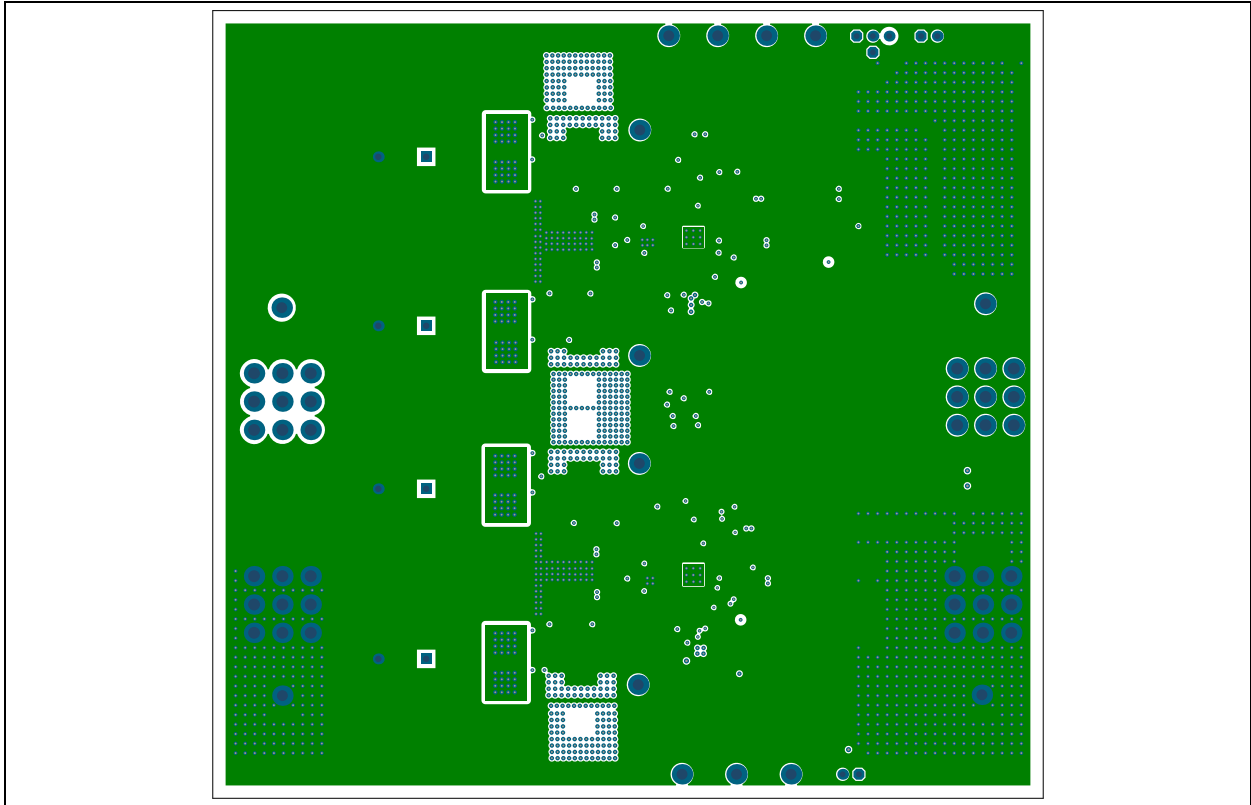
A.4 EV66F86A BOARD – TOP COPPER AND SILK



A.5 EV66F86A BOARD – TOP COPPER

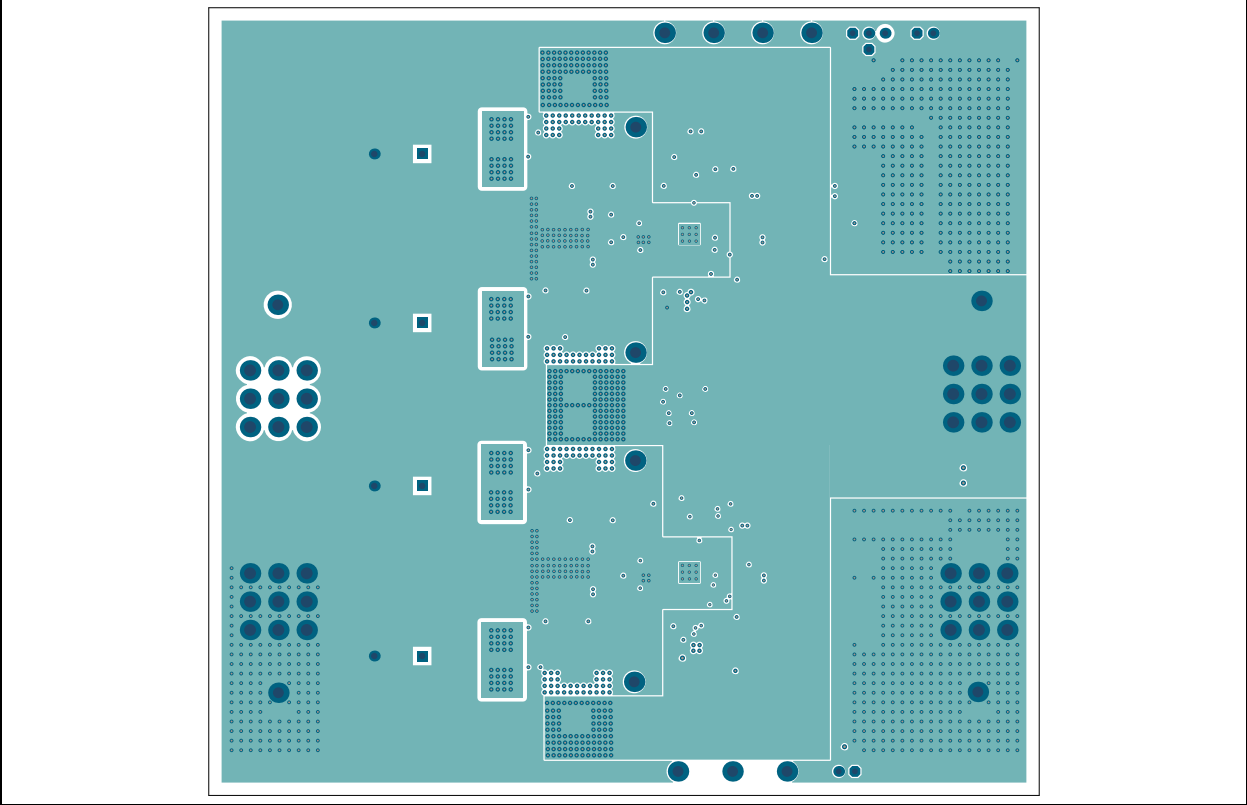


A.6 EV66F86A BOARD – INNER 1 COPPER

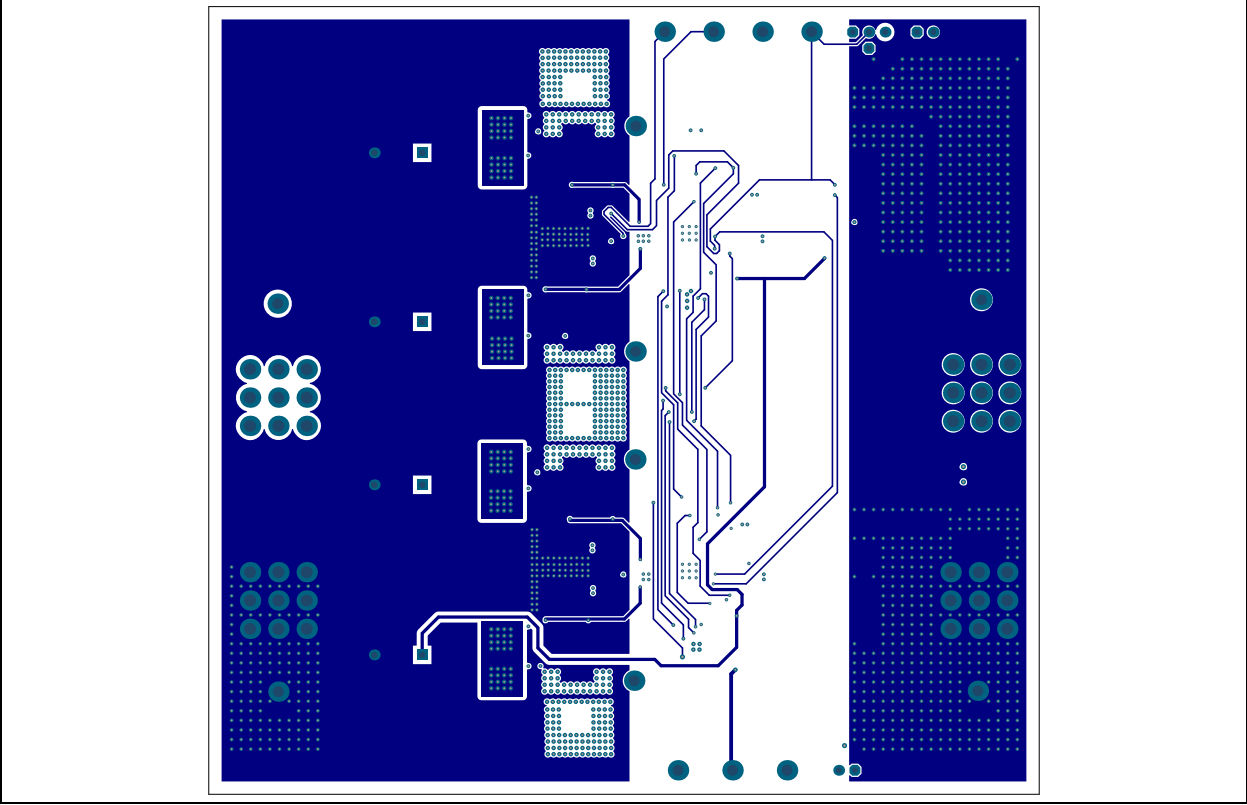


MIC2132 Evaluation Board User's Guide

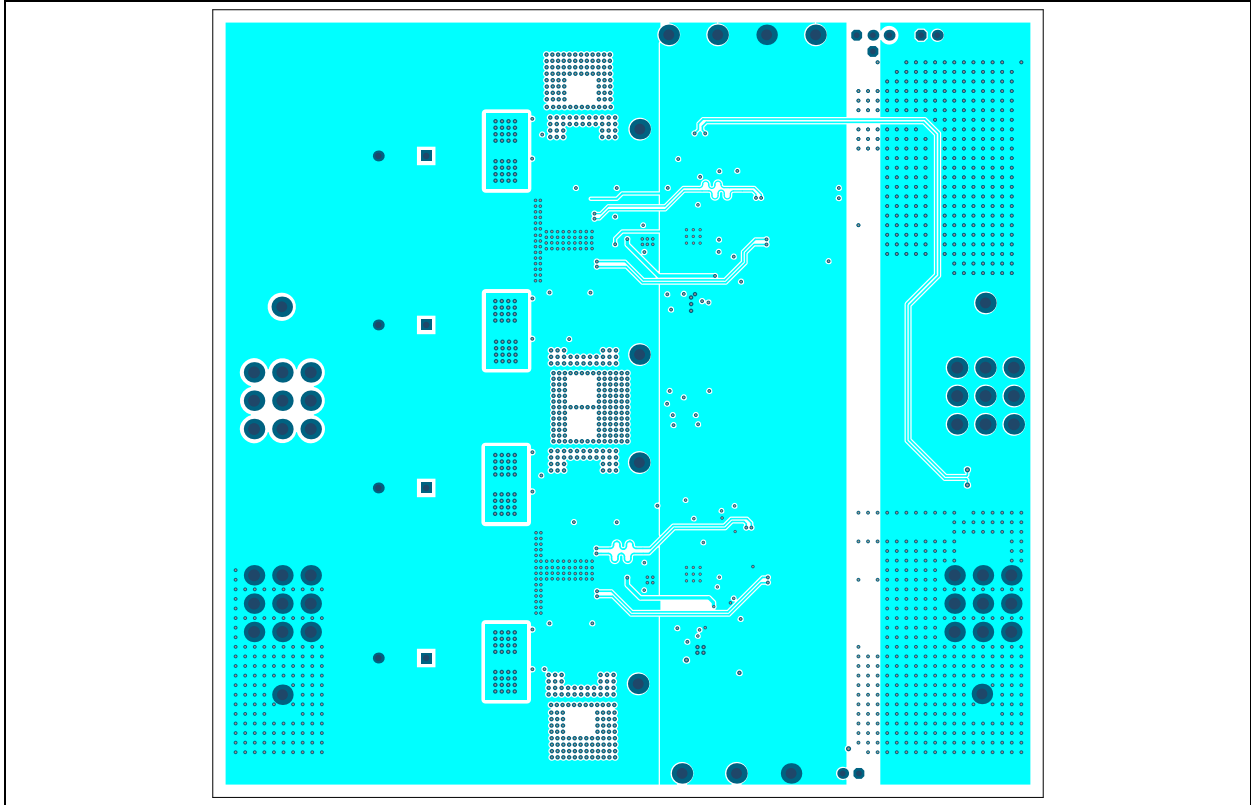
A.7 EV66F86A BOARD – INNER 2 COPPER



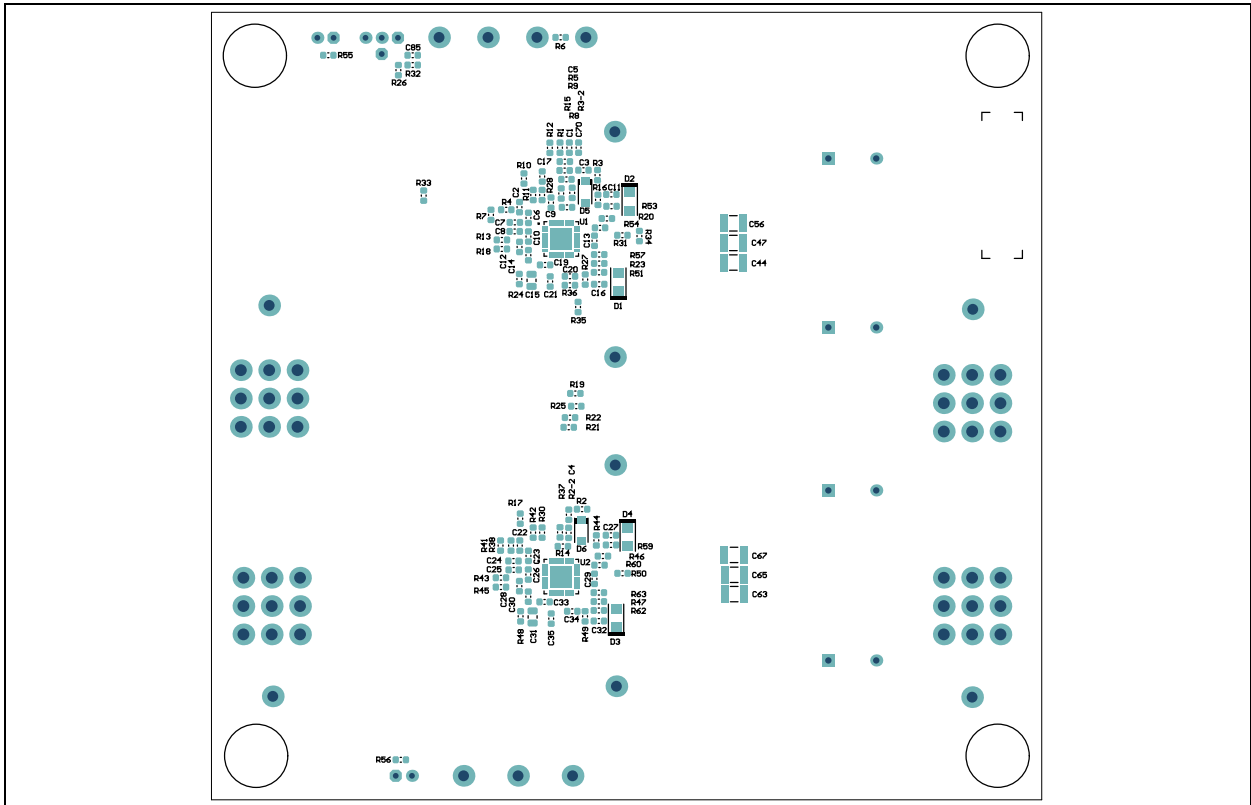
A.8 EV66F86A BOARD – INNER 3 COPPER



A.9 EV66F86A BOARD – INNER 4 COPPER

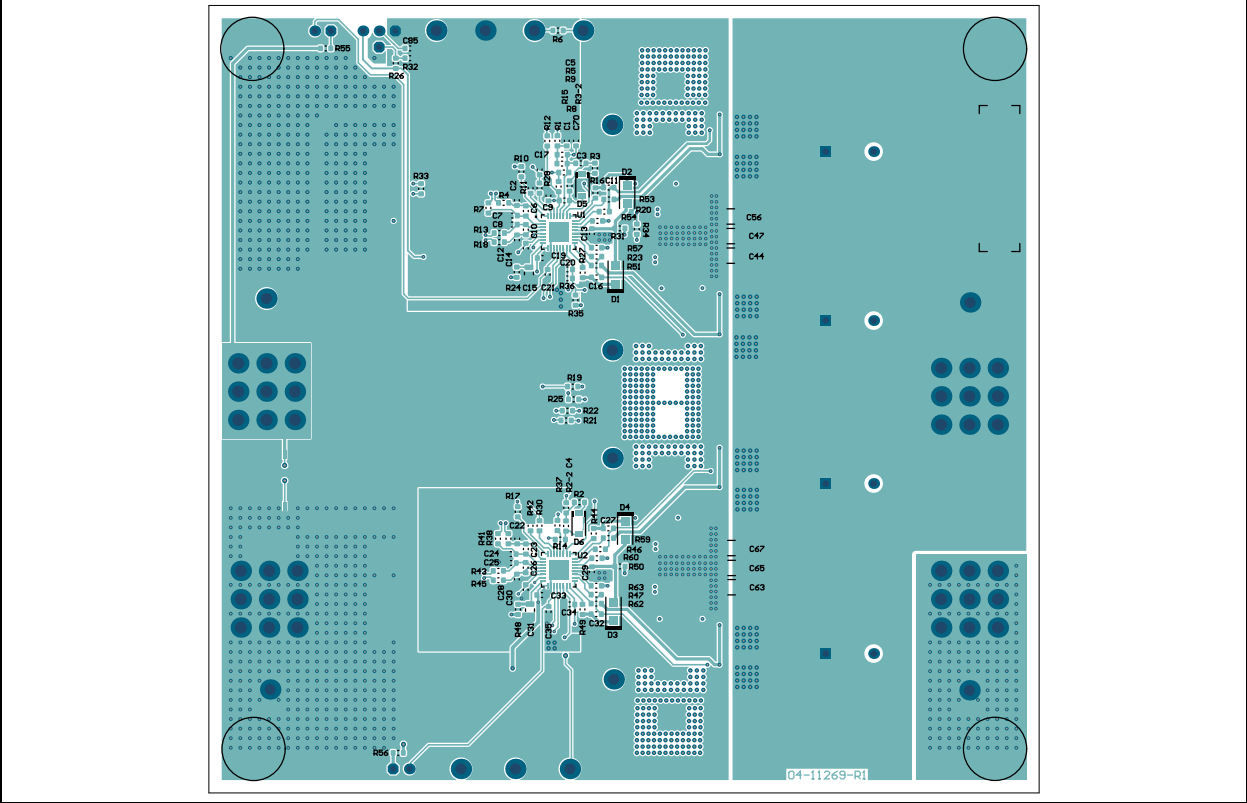


A.10 EV66F86A BOARD – BOTTOM SILK

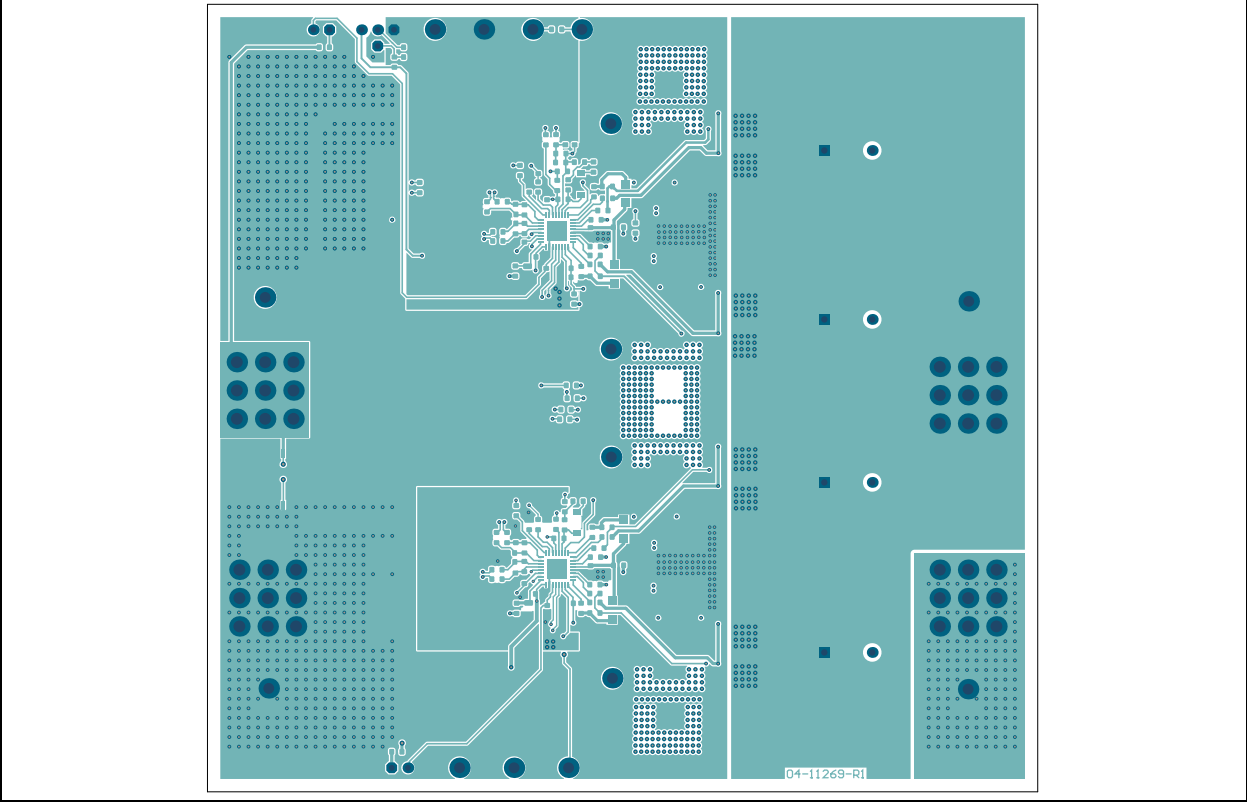


MIC2132 Evaluation Board User's Guide

A.11 EV66F86A BOARD – BOTTOM COPPER AND SILK



A.12 EV66F86A BOARD – BOTTOM COPPER



Appendix B. Bill of Materials (BOM)

TABLE B-1: BILL OF MATERIALS (BOM)

Qty.	Reference	Description	Manufacturer	Part Number
2	C1, C17	Capacitor, ceramic, 10000pF, 50V, 10%, X7R, SMD, 0603	Würth Elektronik	885012206089
2	C3, C4	Capacitor, ceramic, 10000pF, 25V, 5%, C0G, SMD, 0603	TDK Corporation	C1608C0G1E103J080AA
1	C5	Capacitor, ceramic, 1500pF, 50V, 10%, X7R, SMD, 0603	Würth Elektronik	885012206084
4	C6, C10, C23, C26	Capacitor, ceramic, 100pF, 50V, 10%, X7R, SMD, 0603	Würth Elektronik	885012206077
4	C11, C16, C27, C32	Capacitor, ceramic, 0.1uF, 100V, 10%, X7R, SMD, 0603	Würth Elektronik	885012206120
3	C13, C29, C35	Capacitor, ceramic, 4.7uF, 16V, 10%, X5R, SMD, 0603	TDK Corporation	C1608X5R1C475K080AC
2	C15, C31	Capacitor, ceramic, 1uF, 100V, 10%, X7S, SMD, 0805	TDK Corporation	C2012X7S2A105K125AB
2	C19, C33	Capacitor, ceramic, 2.2uF, 25V, 10%, X5R, SMD, 0603	Murata Manufacturing Co., Ltd.	GRM188R61E225KA12D
1	C20	Capacitor, ceramic, 1000pF, 50V, 10%, X7R, SMD, 0603	Würth Elektronik	885012206083
1	C21	Capacitor, ceramic, 4.7uF, 35V, 10%, X5R, SMD, 0603	Murata Manufacturing Co., Ltd.	GRM188R6YA475KE15D
4	C36, C57, C68, C69	Capacitor, tantalum, 470uF, 6.3V, 20%, 0.025Ohm, SMD, D4	Panasonic® - ECG	6TPE470M
4	C41, C45, C58, C59	Capacitor, aluminum, 560uF, 100V, 20%, TH, P7.5D18H26.5	United Chemi-Con	EKYB101ELL561MM25S
4	C42, C43, C60, C61	Capacitor, ceramic, 0.1uF, 100V, 10%, X7R, SMD, 1206	Würth Elektronik	885012208118
12	C44, C46, C47, C48, C55, C56, C62, C63, C64, C65, C66, C67	Capacitor, ceramic, 2.2uF, 100V, 10%, X7R, SMD, 1210	KEMET	C1210C225K1RACTU
12	C49, C50, C51, C52, C79, C80, C81, C82, C83, C84, C86, C87	Capacitor, ceramic, 47uF, 16V, 20%, X5R, SMD, 1210	Würth Elektronik	885012109011
4	C53, C54, C88, C89	Capacitor, ceramic, 0.1uF, 25V, 10%, X7R, SMD, 1206	Würth Elektronik	885012208058
4	C75, C76, C77, C78	Capacitor, ceramic, 470pF, 100V, 5%, C0G/NP0, SMD, 0603	Würth Elektronik	885012006083

Note 1: The components listed in this Bill of Materials are representative of the PCB assembly. The released BOM used in manufacturing uses all RoHS-compliant components.

MIC2132 Evaluation Board User's Guide

TABLE B-1: BILL OF MATERIALS (BOM) (CONTINUED)

Qty.	Reference	Description	Manufacturer	Part Number
1	C85	Capacitor, ceramic, 10pF, 25V, 5%, NPO, SMD, 0603	Würth Elektronik	885012006032
4	D1, D2, D3, D4	Diode, rectifier, RS07B-GS08, 100V, 500mA, SMD, DO-219AB	Vishay Semiconductor Diodes Division	RS07B-GS08
2	D5, D6	Diode, Schottky, MBR0530T1G, 430mV, 500mA, 30V, SOD-123	Diodes Incorporated®	B0530W-7-F
4	D7, D8, D9, D10	Diode, Schottky, RS07B-GS08, 100V, 5A, SMD, PowerDI-5	Diodes Incorporated	SDT5H100P5-7
1	J1	Connector, Header-2.54, male, 1x3, gold, 5.84MH, TH, vertical	Amphenol ICC (FCI)	68000-103HLF
2	J2, J3	Connector, Header-2.54, male, 1x2, gold, 5.84MH, TH, vertical	Amphenol ICC (FCI)	77311-118-02LF
1	J4	Connector, HDR-2.54, male, 1x1, gold, 5.84MH, TH, vertical	Samtec, Inc.	TSW-101-07-S-S
4	J5, J6, J7, J8	Connector, terminal, 85A, male, 1x1, shank, terminal, TH, vertical	Würth Elektronik	74651195R
4	L1, L2, L3, L4	Inductor, 4.7uH, 27A, 20%, SMD, L11.6W10.5H8.8	Würth Elektronik	74439369047
8	Q1, Q3, Q5, Q7, Q9, Q11, Q13, Q15	Transistor, FET, N-Channel, SIR880ADP-T1-GE3, 80V, 60A, 83W, PPAK, SO-8	Vishay Siliconix	SIR880ADP-T1-GE3
1	R1	Resistor, TKF, 100R, 5%, 1/10W, SMD, 0603	Panasonic - ECG	ERJ-3GEYJ101V
2	R2-2, R3-2	Resistor, TKF, 3.1k, 1%, 1/3W, SMD, 0603	Bourns®, Inc.	CHP0603-FX-3011ELF
2	R2, R3	Resistor, TF, 30.1k, 0.1%, 1/10W, SMD, 0603	Susumu Co., LTD.	RG1608P-3012-B-T5
8	R4, R7, R13, R18, R38, R41, R43, R45	Resistor, TKF, 100R, 1%, 1/10W, SMD, 0603	Panasonic - ECG	ERJ3EKF1000V
1	R5	Resistor, TKF, 20k, 1%, 1/10W, SMD, 0603	Panasonic - ECG	ERJ3EKF2002V
2	R6, R37	Resistor, TF, 10k, 1%, 1/16W, SMD, 0603	TE Connectivity, Ltd. (previously Tyco Electronics, Ltd.)	5-1879337-9
2	R8, R14	Resistor, TKF, 60.4k, 1%, 1/10W, SMD, 0603	Panasonic - ECG	ERJ-3EKF6042V
1	R9	Resistor, TKF, 2.4k, 1%, 1/10W, SMD, 0603	Yageo Corporation	RC0603FR-072K4L
2	R11, R42	Resistor, TKF, 68k, 1%, 1/10W, SMD, 0603	Stackpole Electronics, Inc.	RMCF0603FT68K0
22	R12, R19, R20, R21, R22, R23, R25, R28, R30, R33, R46, R47, R51, R53, R54, R55, R56, R57, R59, R60, R62, R63	Resistor, TKF, 0R, 1/10W, SMD, 0603	Panasonic - ECG	ERJ-3GEY0R00V
1	R15	Resistor, TKF, 300R, 1%, 1/10W, SMD, 0603	Yageo Corporation	RC0603FR-07300RL

Note 1: The components listed in this Bill of Materials are representative of the PCB assembly. The released BOM used in manufacturing uses all RoHS-compliant components.

Bill of Materials (BOM)

TABLE B-1: BILL OF MATERIALS (BOM) (CONTINUED)

Qty.	Reference	Description	Manufacturer	Part Number
4	R16, R27, R44, R49	Resistor, TKF, 4.7R, 1%, 1/10W, SMD, 0603	Panasonic - ECG	ERJ-3RQF4R7V
2	R24, R48	Resistor, TKF, 1.2R, 1%, 1/10W, AEC-Q200, SMD, 0603	Panasonic - ECG	ERJ-3RQF1R2V
2	R26, R32	Resistor, TF, 100k, 1%, 1/8W, SMD, 0603	Vishay Beyschlag	MCT06030C1003FP500
2	R31, R50	Resistor, TF, 2.21R, 0.1%, 1/16W, SMD, 0603	Stackpole Electronics, Inc.	RNCF0603BKC2R21
1	R34	Resistor, TKF, 82k, 1%, 1/10W, SMD, 0603	Panasonic - ECG	ERJ-3EKF8202V
1	R35	Resistor, TKF, 1k, 1%, 1/10W, SMD, 0603, AEC-Q200	Panasonic - ECG	ERJ3EKF1001V
4	R40, R58, R61, R64	Resistor, TKF, 10mR, 5%, 2W, SMD, 1020, AEC-Q200	Vishay/Dale	RCWE102010L0JNEA
4	R52, R65, R66, R67	Resistor, TKF, 10R, 1%, 1/8W, SMD, 0805	Vishay/Dale	CRCW080510R0FKEAC
15	TP1, TP2, TP3, TP4, TP5, TP6, TP7, TP8, TP9, TP10, TP11, TP12, TP13, TP14, TP15	Connector, TP, pin, tin, TH	Harwin Plc.	H2121-01

Note 1: The components listed in this Bill of Materials are representative of the PCB assembly. The released BOM used in manufacturing uses all RoHS-compliant components.

TABLE B-2: BILL OF MATERIALS (BOM) – MICROCHIP PARTS

Qty.	Reference	Description	Manufacturer	Part Number
2	U1, U2	Microchip, Analog, 75V, Dual Phase, COT, Switching, Buck Controller, MIC2132 QFN-32	Microchip Technology, Inc. and its subsidiaries	MIC2132

Note 1: The components listed in this Bill of Materials are representative of the PCB assembly. The released BOM used in manufacturing uses all RoHS-compliant components.

TABLE B-3: BILL OF MATERIALS (BOM) – MECHANICAL PARTS

Qty.	Reference	Description	Manufacturer	Part Number
1	JP1	Mechanical, hardware, jumper, 2.54mm, 1x2	3M	969102-0000-DA
1	LABEL1	Label, assembly, W/rev level (small modules), per MTS-0002	—	—
4	PAD1, PAD2, PAD3, PAD4	Mechanical, hardware, rubber pad, cylindrical, 0.374" x 0.189", clear	Essentra PLC.	RBS-35
1	PCB1	Printed Circuit Board	—	04-11269-R1

Note 1: The components listed in this Bill of Materials are representative of the PCB assembly. The released BOM used in manufacturing uses all RoHS-compliant components.

MIC2132 Evaluation Board User's Guide

TABLE B-4: BILL OF MATERIALS (BOM) – DO NOT POPULATE PARTS

Qty.	Reference	Description	Manufacturer	Part Number
0	C2, C7, C8, C12, C22, C24, C25, C28	Capacitor, ceramic, 100pF, 50V, 10%, X7R, SMD, 0603	Würth Elektronik	885012206077
0	C9	Capacitor, ceramic, 0.1uF, 100V, 10%, X7R, SMD, 0603	Murata Manufacturing Co., Ltd.	GRM188R72A104KA35D
0	C14, C30	Capacitor, ceramic, 1000pF, 50V, 10%, X7R, SMD, 0603	Würth Elektronik	885012206083
0	C34	Capacitor, ceramic, 4.7uF, 16V, 10%, X5R, SMD, 0603	TDK Corporation	C1608X5R1C475K080AC
0	C37, C38, C71, C72	Capacitor, tantalum, 470uF, 6.3V, 20%, 0.025Ohm, SMD, D4	Panasonic - ECG	6TPE470M
0	C70	Capacitor, ceramic, 10pF, 25V, 5%, NP0, SMD, 0603	Würth Elektronik	885012006032
0	Q2, Q4, Q6, Q8, Q10, Q12, Q14, Q16	Transistor, FET, N-Channel, SIR880ADP-T1-GE3, 80V, 60A, 83W, PPAK SO-8	Vishay Siliconix	SIR880ADP-T1-GE3
0	R10, R17, R36	Resistor, TKF, 0R, 1/10W, SMD, 0603	Panasonic - ECG	ERJ-3GEY0R00V

Note 1: The components listed in this Bill of Materials are representative of the PCB assembly. The released BOM used in manufacturing uses all RoHS-compliant components.

Appendix C. Board Waveforms and Performance Curves

C.1 MAIN WAVEFORMS

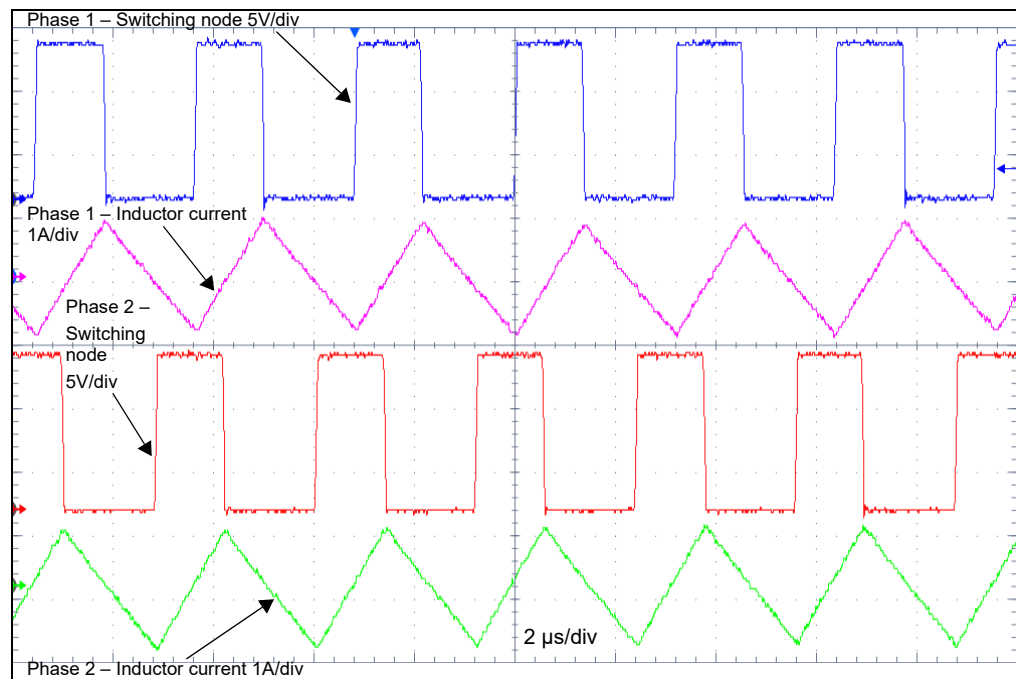


FIGURE C-1: Switching Node Waveforms for V_{IN} 12V, V_{OUT} 5V, Phase 1 + 2, No Load.

MIC2132 Evaluation Board User's Guide

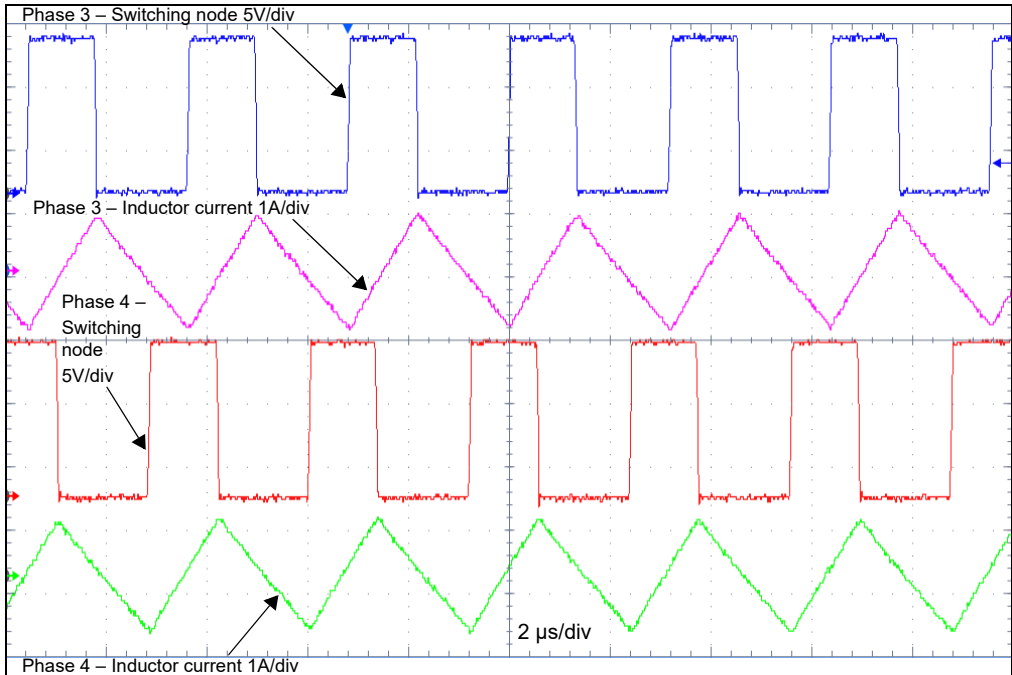


FIGURE C-2: Switching Node Waveforms for V_{IN} 12V, V_{OUT} 5V, Phase 3 + 4, No Load.

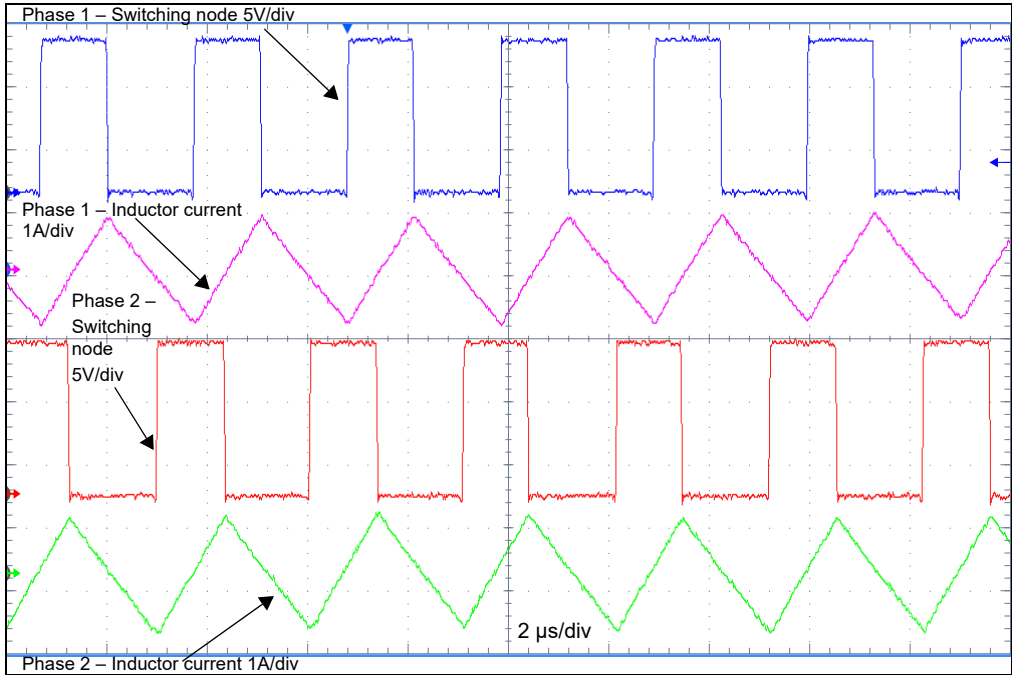


FIGURE C-3: Switching Node Waveforms for V_{IN} 12V, V_{OUT} 5V, Phase 1 + 2, I_{out} 10A.

Board Waveforms and Performance Curves

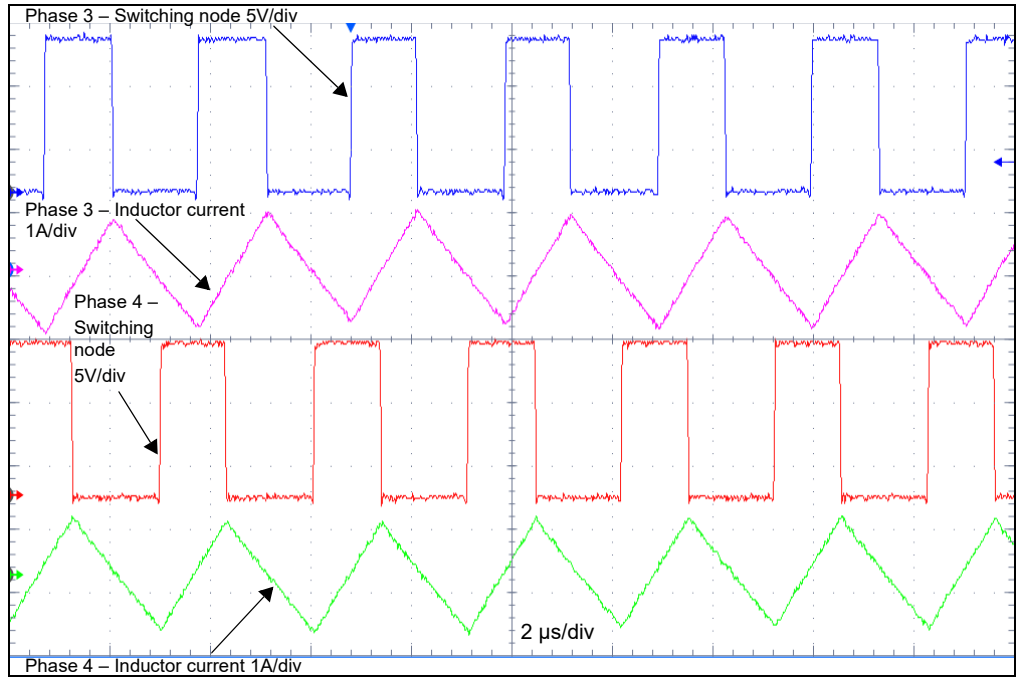


FIGURE C-4: Switching Node Waveforms for V_{IN} 12V, V_{OUT} 5V, Phase 3 + 4, I_{out} 10A

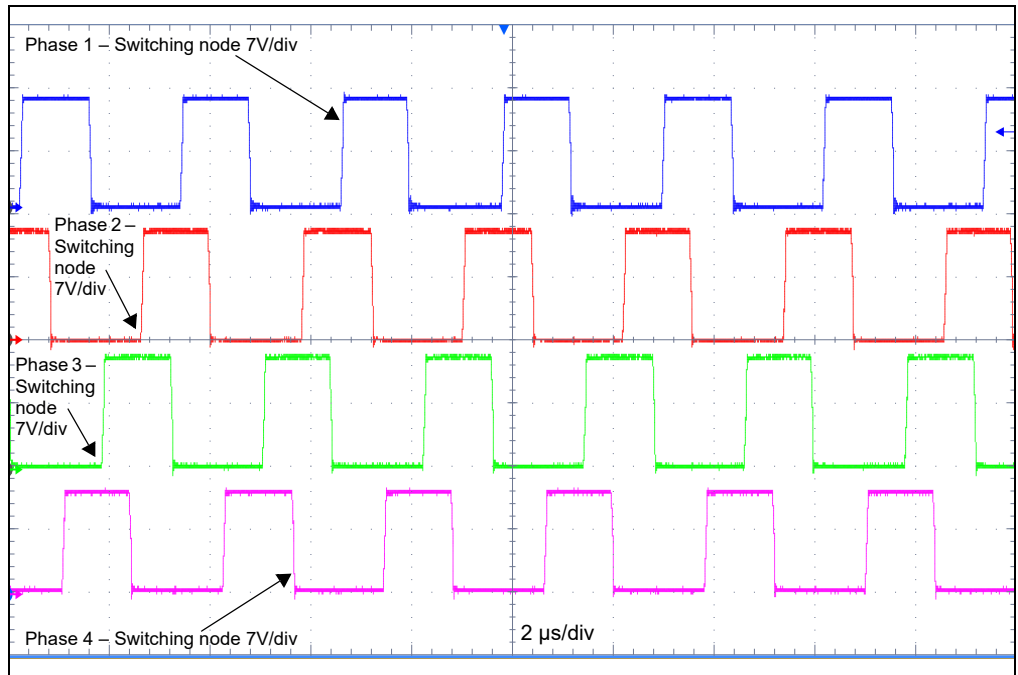


FIGURE C-5: Switching Node Waveforms for V_{IN} 12V, V_{OUT} 5V, Phase 1 + 2 + 3 + 4, No Load.

MIC2132 Evaluation Board User's Guide

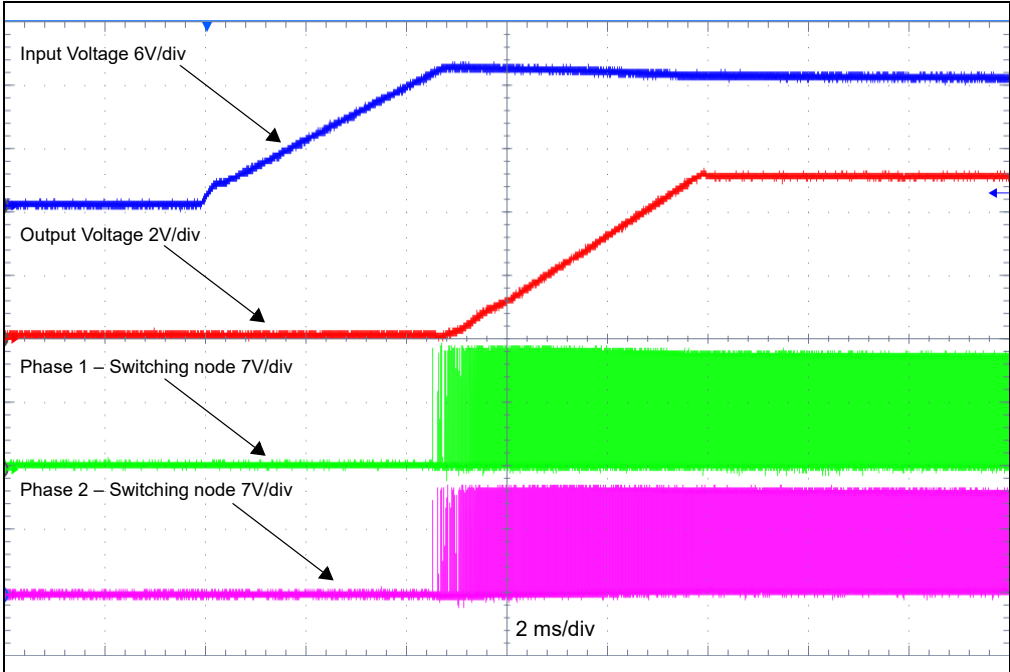


FIGURE C-6: Soft Start Under No Load.

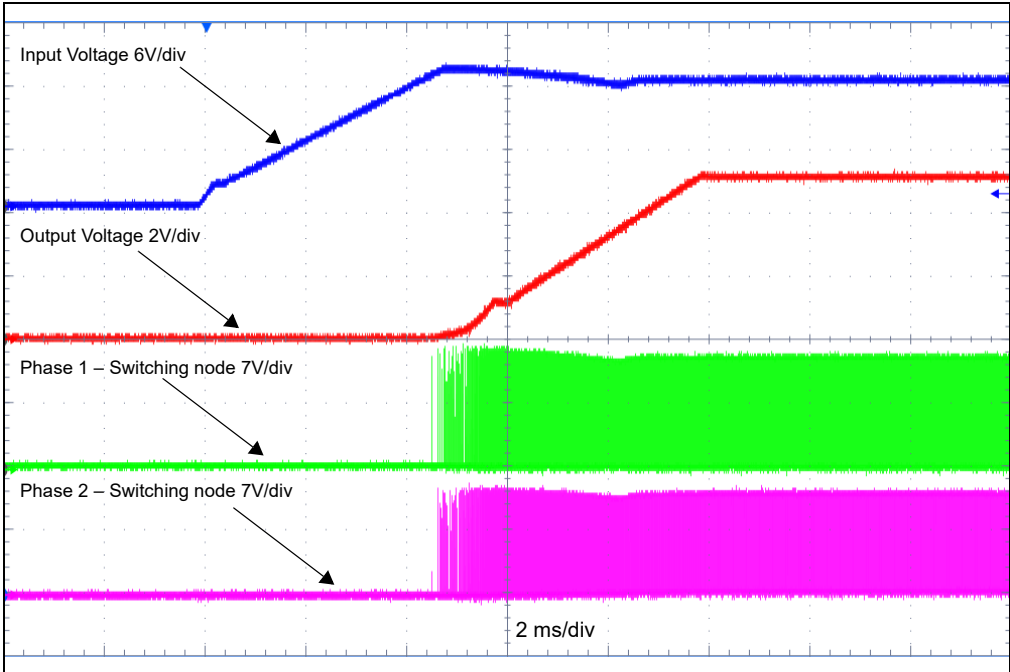


FIGURE C-7: Start-Up Under 10A Load.

Board Waveforms and Performance Curves

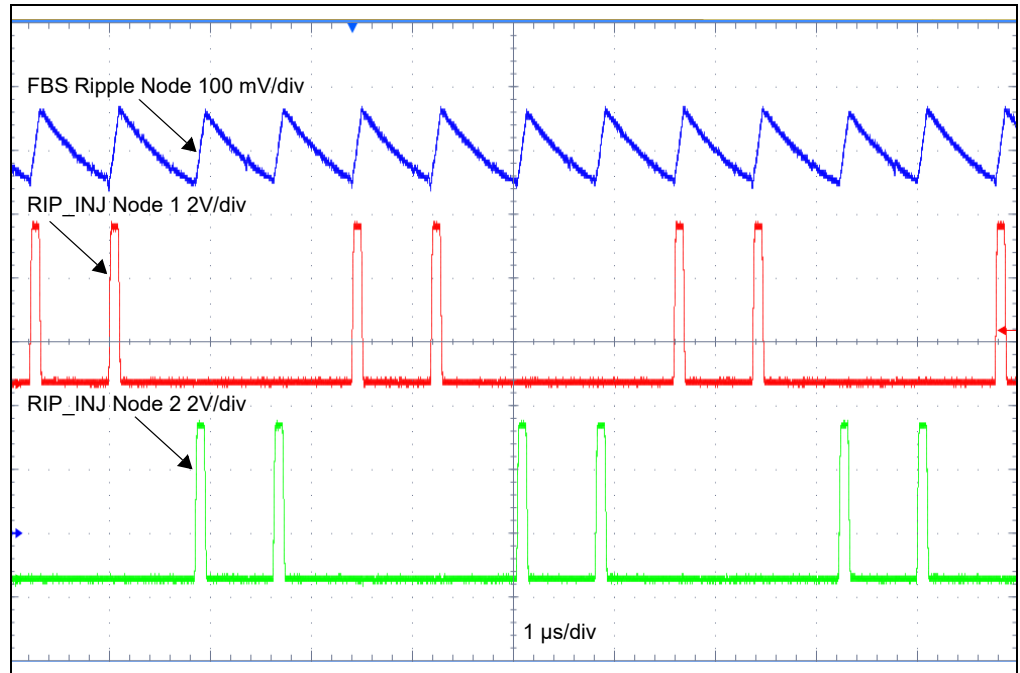


FIGURE C-8: Ripple Injection 12 V_{IN}, 5V, No Load.

C.2 PERFORMANCE CURVES

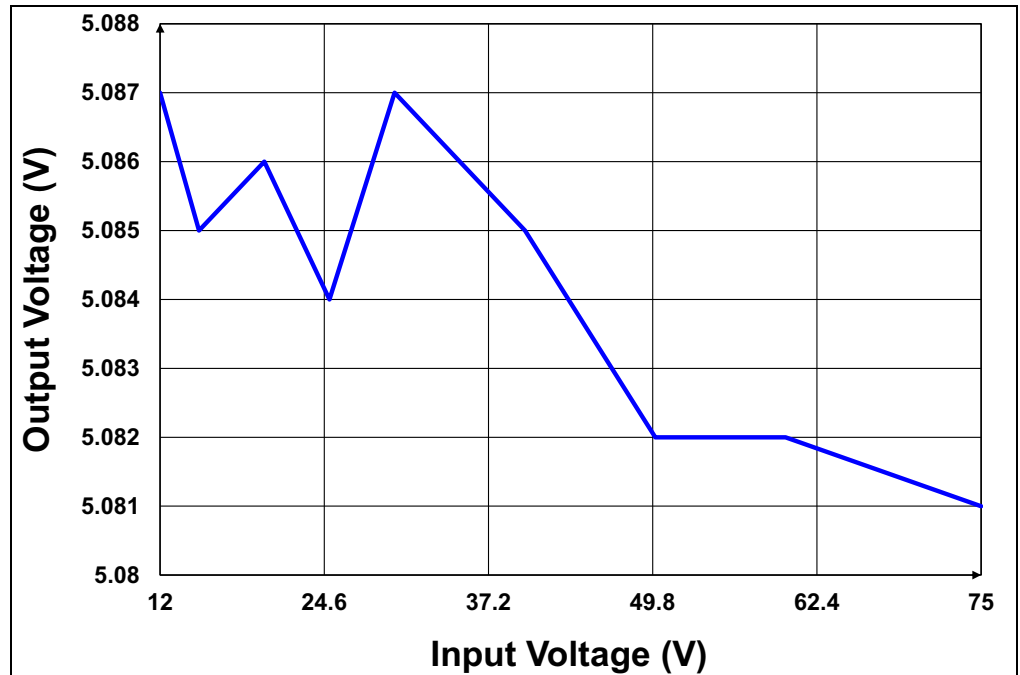


FIGURE C-9: Output Voltage vs Input Voltage with No Load.

MIC2132 Evaluation Board User's Guide

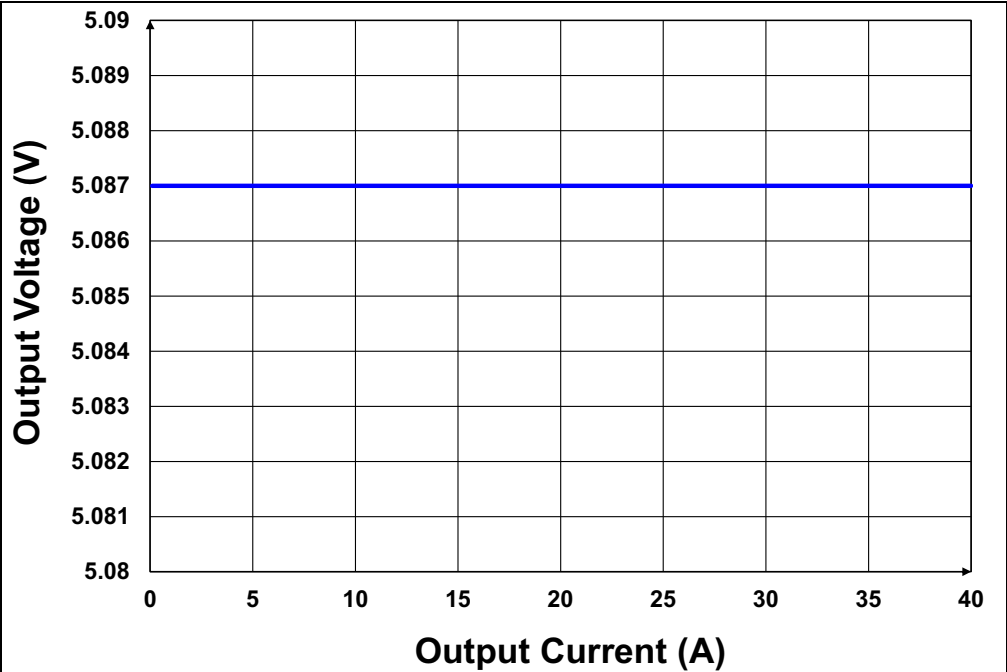


FIGURE C-10: Output Voltage vs Output Current ($V_{IN} = 12V$).

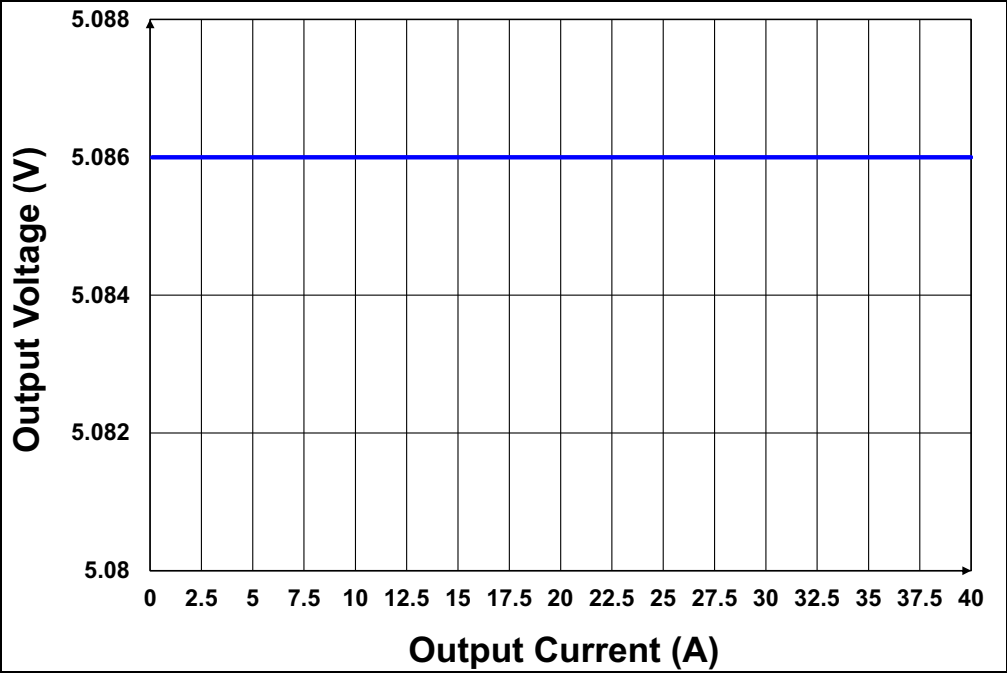


FIGURE C-11: Output Voltage vs. Output Current ($V_{in} = 20V$).

Board Waveforms and Performance Curves

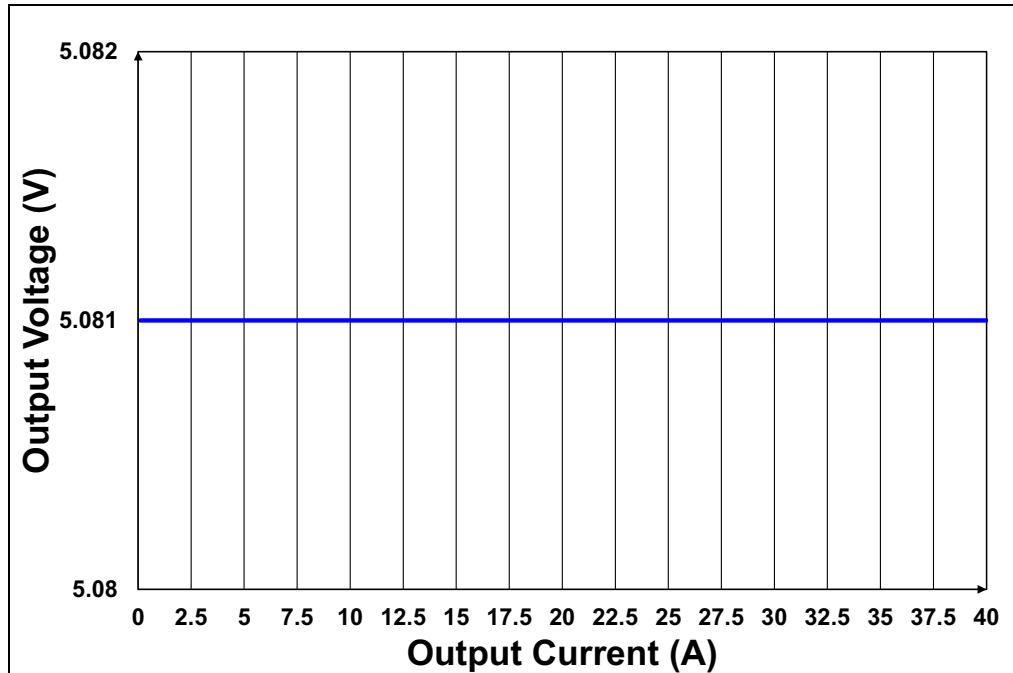


FIGURE C-12: Output Voltage vs. Output Current ($V_{in} = 70V$).

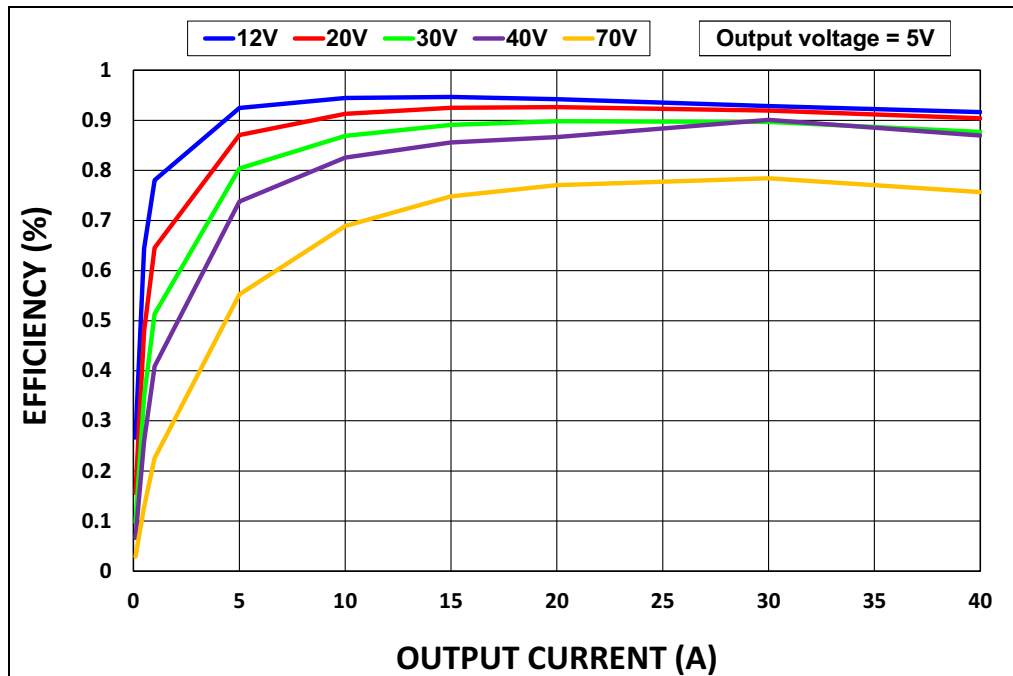


FIGURE C-13: Efficiency vs. Output Current.

MIC2132 Evaluation Board User's Guide

NOTES:



MICROCHIP

Worldwide Sales and Service

AMERICAS

Corporate Office
2355 West Chandler Blvd.
Chandler, AZ 85224-6199
Tel: 480-792-7200
Fax: 480-792-7277
Technical Support:
<http://www.microchip.com/support>
Web Address:
www.microchip.com

Atlanta
Duluth, GA
Tel: 678-957-9614
Fax: 678-957-1455

Austin, TX
Tel: 512-257-3370

Boston
Westborough, MA
Tel: 774-760-0087
Fax: 774-760-0088

Chicago
Itasca, IL
Tel: 630-285-0071
Fax: 630-285-0075

Dallas
Addison, TX
Tel: 972-818-7423
Fax: 972-818-2924

Detroit
Novi, MI
Tel: 248-848-4000

Houston, TX
Tel: 281-894-5983

Indianapolis
Noblesville, IN
Tel: 317-773-8323
Fax: 317-773-5453
Tel: 317-536-2380

Los Angeles
Mission Viejo, CA
Tel: 949-462-9523
Fax: 949-462-9608
Tel: 951-273-7800

Raleigh, NC
Tel: 919-844-7510

New York, NY
Tel: 631-435-6000

San Jose, CA
Tel: 408-735-9110
Tel: 408-436-4270

Canada - Toronto
Tel: 905-695-1980
Fax: 905-695-2078

ASIA/PACIFIC

Australia - Sydney
Tel: 61-2-9868-6733

China - Beijing
Tel: 86-10-8569-7000

China - Chengdu
Tel: 86-28-8665-5511

China - Chongqing
Tel: 86-23-8980-9588

China - Dongguan
Tel: 86-769-8702-9880

China - Guangzhou
Tel: 86-20-8755-8029

China - Hangzhou
Tel: 86-571-8792-8115

China - Hong Kong SAR
Tel: 852-2943-5100

China - Nanjing
Tel: 86-25-8473-2460

China - Qingdao
Tel: 86-532-8502-7355

China - Shanghai
Tel: 86-21-3326-8000

China - Shenyang
Tel: 86-24-2334-2829

China - Shenzhen
Tel: 86-755-8864-2200

China - Suzhou
Tel: 86-186-6233-1526

China - Wuhan
Tel: 86-27-5980-5300

China - Xian
Tel: 86-29-8833-7252

China - Xiamen
Tel: 86-592-2388138

China - Zhuhai
Tel: 86-756-3210040

ASIA/PACIFIC

India - Bangalore
Tel: 91-80-3090-4444

India - New Delhi
Tel: 91-11-4160-8631

India - Pune
Tel: 91-20-4121-0141

Japan - Osaka
Tel: 81-6-6152-7160

Japan - Tokyo
Tel: 81-3-6880-3770

Korea - Daegu
Tel: 82-53-744-4301

Korea - Seoul
Tel: 82-2-554-7200

Malaysia - Kuala Lumpur
Tel: 60-3-7651-7906

Malaysia - Penang
Tel: 60-4-227-8870

Philippines - Manila
Tel: 63-2-634-9065

Singapore
Tel: 65-6334-8870

Taiwan - Hsin Chu
Tel: 886-3-577-8366

Taiwan - Kaohsiung
Tel: 886-7-213-7830

Taiwan - Taipei
Tel: 886-2-2508-8600

Thailand - Bangkok
Tel: 66-2-694-1351

Vietnam - Ho Chi Minh
Tel: 84-28-5448-2100

EUROPE

Austria - Wels
Tel: 43-7242-2244-39
Fax: 43-7242-2244-393

Denmark - Copenhagen
Tel: 45-4485-5910
Fax: 45-4485-2829

Finland - Espoo
Tel: 358-9-4520-820

France - Paris
Tel: 33-1-69-53-63-20
Fax: 33-1-69-30-90-79

Germany - Garching
Tel: 49-8931-9700

Germany - Haan
Tel: 49-2129-3766400

Germany - Heilbronn
Tel: 49-7131-72400

Germany - Karlsruhe
Tel: 49-721-625370

Germany - Munich
Tel: 49-89-627-144-0
Fax: 49-89-627-144-44

Germany - Rosenheim
Tel: 49-8031-354-560

Israel - Ra'anana
Tel: 972-9-744-7705

Italy - Milan
Tel: 39-0331-742611
Fax: 39-0331-466781

Italy - Padova
Tel: 39-049-7625286

Netherlands - Drunen
Tel: 31-416-690399
Fax: 31-416-690340

Norway - Trondheim
Tel: 47-7288-4388

Poland - Warsaw
Tel: 48-22-3325737

Romania - Bucharest
Tel: 40-21-407-87-50

Spain - Madrid
Tel: 34-91-708-08-90
Fax: 34-91-708-08-91

Sweden - Gothenberg
Tel: 46-31-704-60-40

Sweden - Stockholm
Tel: 46-8-5090-4654

UK - Wokingham
Tel: 44-118-921-5800
Fax: 44-118-921-5820