



NOTES: (UNLESS OTHERWISE SPECIFIED)

RATING: 10A, 125 VAC; 6A, 250 VAC  us
1/2 HP, 125/250 VAC  us

20A, 14VDC, 10A 28VDC
(NOT AGENCY APPROVED FOR DC)

U.L. ENDURANCE RATING 6000 CYCLES.

INITIAL CONTACT RESISTANCE: 50m Ω (MAX)

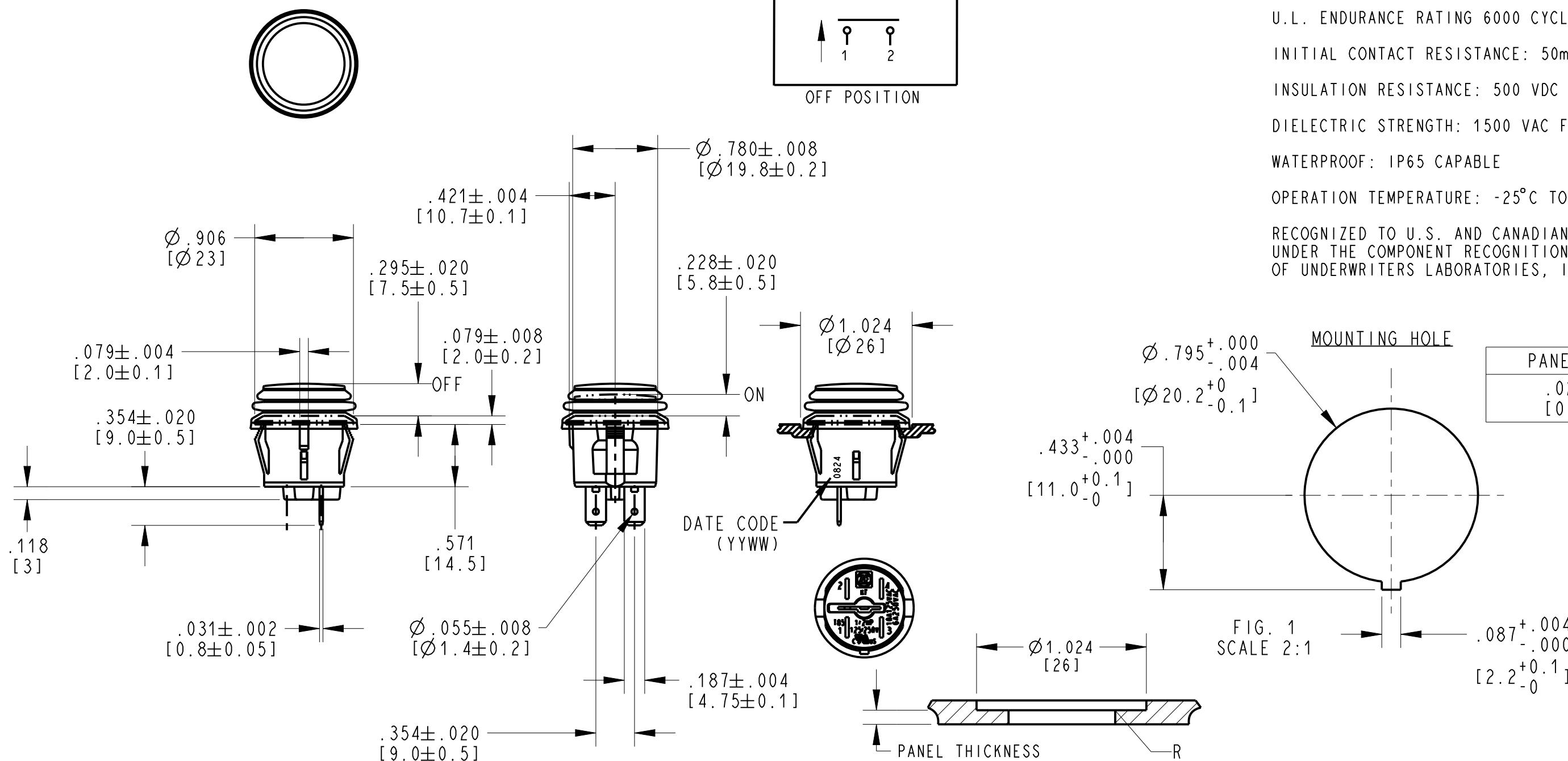
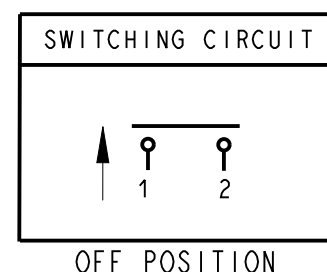
INSULATION RESISTANCE: 500 VDC 100M Ω (MIN)

DIELECTRIC STRENGTH: 1500 VAC FOR 1 MINUTE.

WATERPROOF: IP65 CAPABLE

OPERATION TEMPERATURE: -25°C TO +85°C

RECOGNIZED TO U.S. AND CANADIAN REQUIREMENTS
UNDER THE COMPONENT RECOGNITION PROGRAM
OF UNDERWRITERS LABORATORIES, INC.

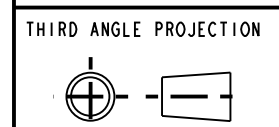


PANEL THICKNESS
.028 TO .098 [0.7 TO 2.5]



DWN: C RAMOS
APVD: J RUMMELHART
DATE: 17-Jun-08

CONFIDENTIAL AND PROPRIETARY:
ALL INFORMATION OR INVENTIONS CONTAINED IN THIS
DOCUMENT OR DERIVED FROM THE INFORMATION THERE
IN IS OWNED BY ZF ELECTRONIC SYSTEMS, AND IS
CONFIDENTIAL AND PROPRIETARY. REVIEW OR
POSSESSION OF THIS DOCUMENT INDICATES AGREEMENT
THAT SUCH INFORMATION AND INVENTIONS WILL NOT BE
DISCLOSED, REPRODUCED OR OTHERWISE USED IN ANY
WAY WITHOUT EXPRESS WRITTEN PERMISSION FROM AN
AUTHORIZED REPRESENTATIVE OF ZF ELECTRONIC
SYSTEMS.



PROJECT/ CSR
4000000138

TOLERANCE UNLESS SPECIFIED			
DWG UNITS	X.XX	X.XXX	ANGLES
INCH (mm)	± 0.02	± 0.012	± 5.0°

NAME / DESCRIPTION	
KF-SPST (ON)-OFF NON LIGHTED	
B	ITEM NO. KFB2DNA1BBB
SCALE:	1:1 SH 1 OF 1

F	Z000374405	16-Aug-16	JPD	ELL
REV	ECO NO.	DATE	PREP	APVD

ORIGINAL ON PRO/E