

Features:

- No UV or IR light radiation.
- Provide 120° beam angles.
- Easy Installation
- Very Low Power Consumption:
Less than 14.4Watts/m
- Long lifetime: 25000 hours (L₇₀).
- High CRI: 70-85
- Correlated Color Temperature: RGB color
- Operating temperature: -20°C ∞ +60°C
- 12V DC input.
- 60 leds per meter, each 3 leds as one series, each series can be cutted ,5 meter per roll.
- Led type:5050 LED
- Waterproof grade IP65



Benefits:

- Energy Cost Savings:
Over 60% Compared to Incandescent.
- Solid-State:
High-Shock & High-Vibration Resistant,
Both Electrical and Mechanical
- Eco-Friendly:
No Mercury, No Lead Content
- No Hazardous Emissions:
No UV or IR Radiation
- Constant Light Output:
Even Lighting, Non-Halation

Application:

- Entertainment Lighting
- Architectural lighting
- City Beautification
- Landscape lighting.
- Furniture decoration
- Bar lighting
- Other lighting

Product Specifications:

Input Voltage	12V DC
Wattage	14.4W/m
Operating Frequency	50-60Hz
Operating Temperature	-20°C ∞ +60°C
Storage Temperature	-30°C ∞ +70°C
Net Weight per piece (g)	----
Certification	RoHS Compliant

Product Selection Guide:

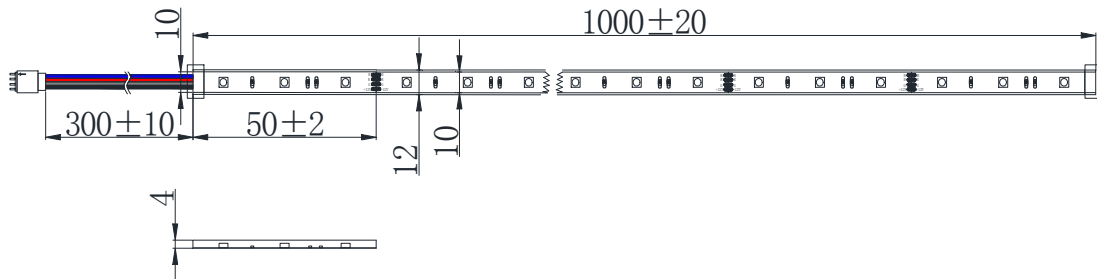
Product	Beam Angle	Total Lumens	CCT/Wavelength	Color	CRI
LS-5050F60RN-4	120°	900±5%	Red 624nm	Full:RGB	≥ 70
			Green 525nm		
			Blue 470nm		

LS-5050/F/60/RN/4

① ② ③ ④ ⑤ ⑥

- ① LS: Light Strip
- ⑤ RN: DC 12V
- ② 5050: LED Type
- ⑥ 4: Waterproof grade IP65
- ③ F: Full(RGB)
- ④ 60: 60 pcs of LED

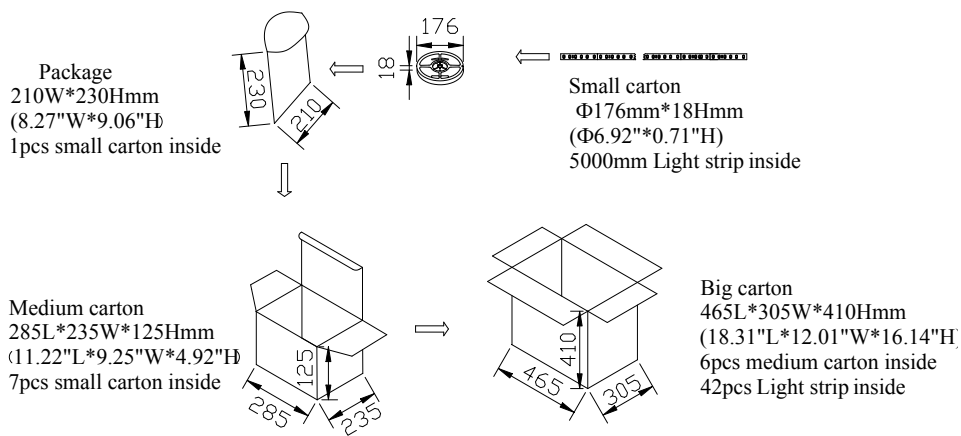
Product Dimensions:



Notes:

1. All dimensions unit in mm
2. Tolerances are ±1mm unless otherwise noted.

Package Dimension



Installation Instructions and Warnings:

- Turn off power before inspection, installation, or removal.
- Not for use where exposed to the weather
- Do not use in totally enclosed fixtures.
- Please make sure to use a suitable adapter. Please mind the minimum load of your adapter.