



NC3FAAV1

New most cost-effective round plastic body XLR PCB mount panel connector. Front panel cutout and PCB layout 100% compatible to A series. New "tulip" type contact design with high contact pressure for highest durability. Push latch assembled. Flammability rating UL94HB.

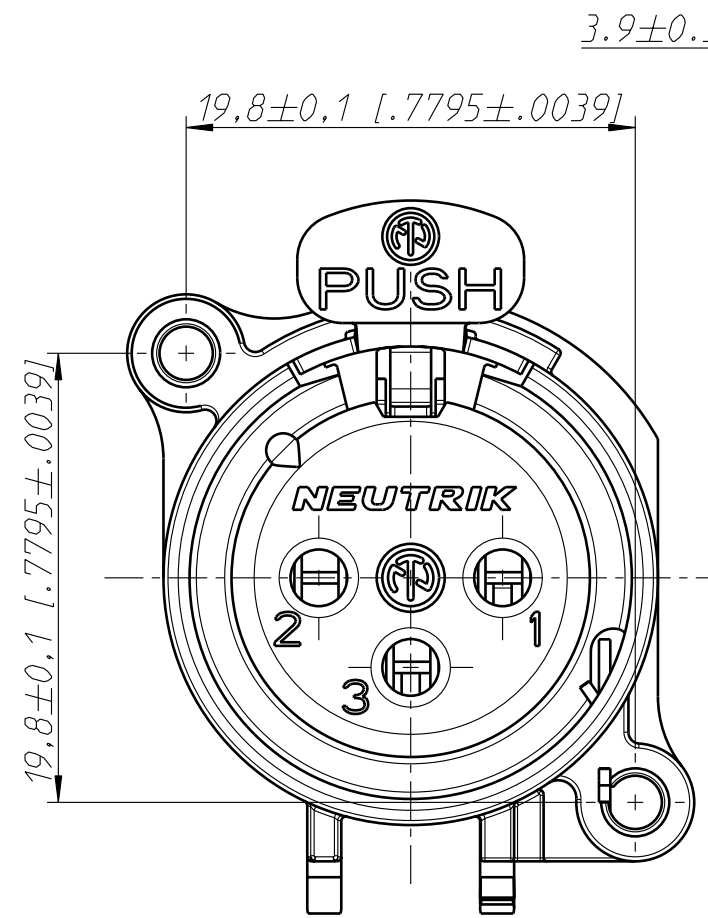
3 pole female XLR receptacle, grounding: mating connector shell to pin1 and front panel, vertical PCB mount

Features & Benefits

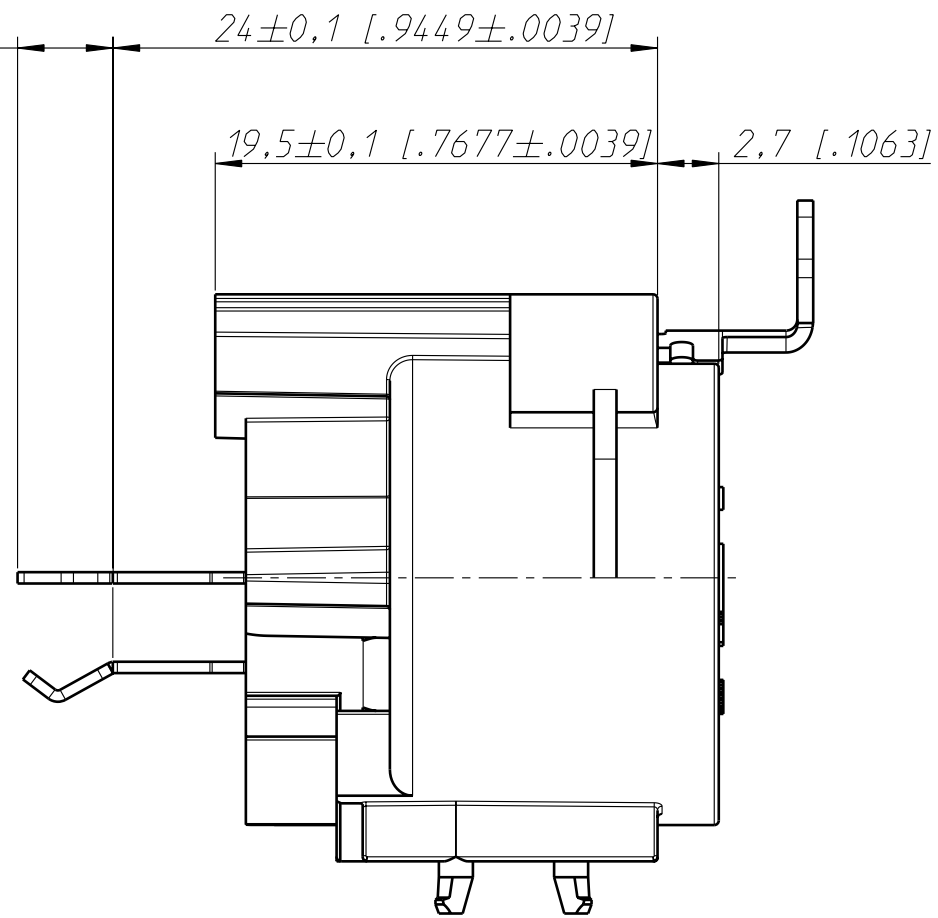
- Most cost-effective series
- "Tulip" type contact design with high contact pressure for highest durability
- Selective gold plated contact and PCB termination area for best conductivity and solderability

ACCESSORIES

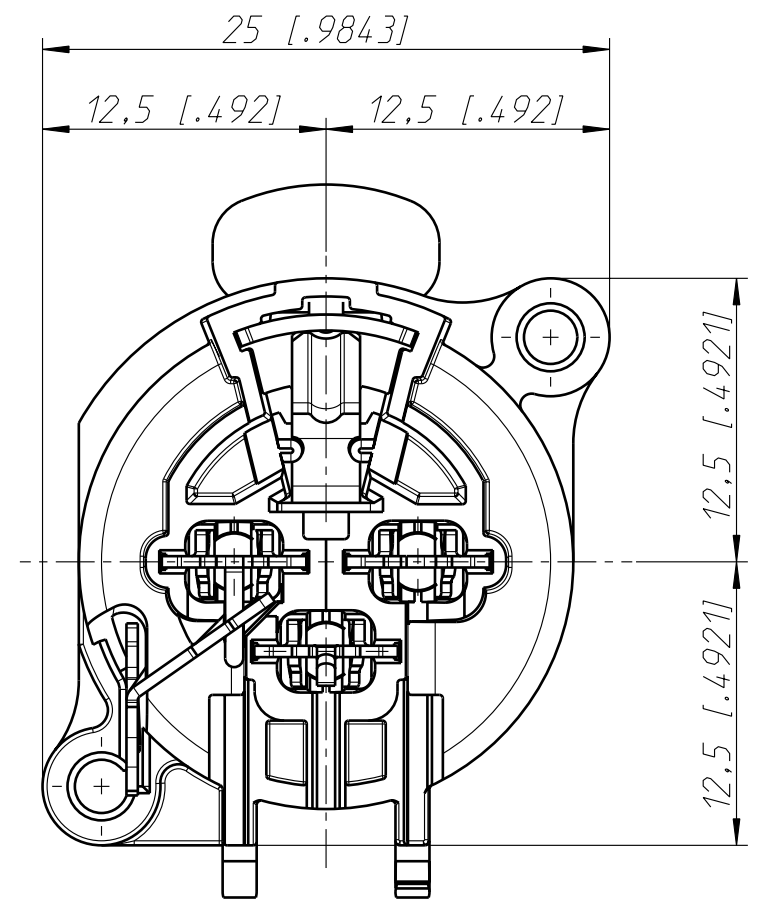
SCF	SFAV	A-SCREW-1-8



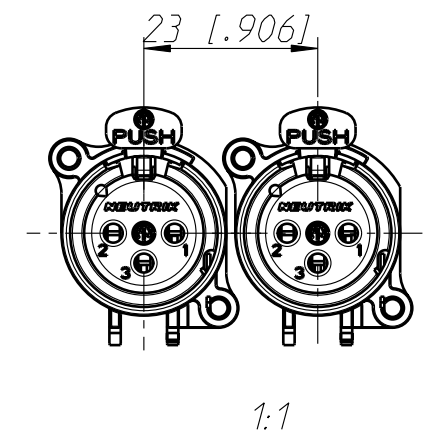
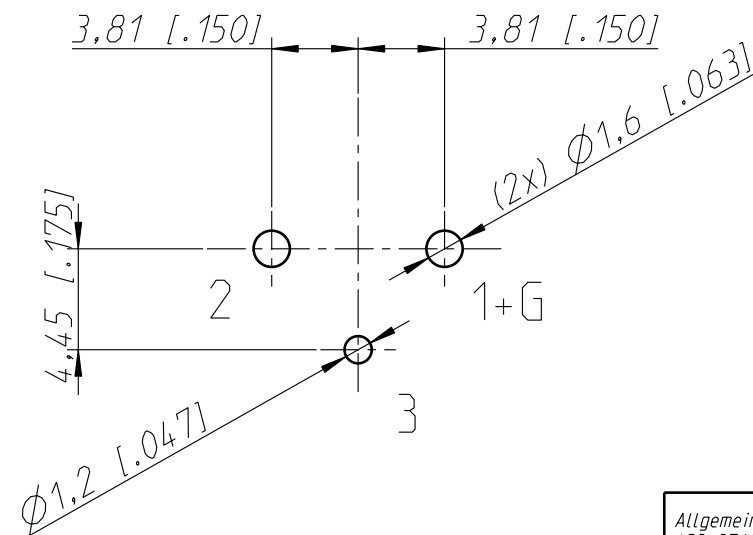
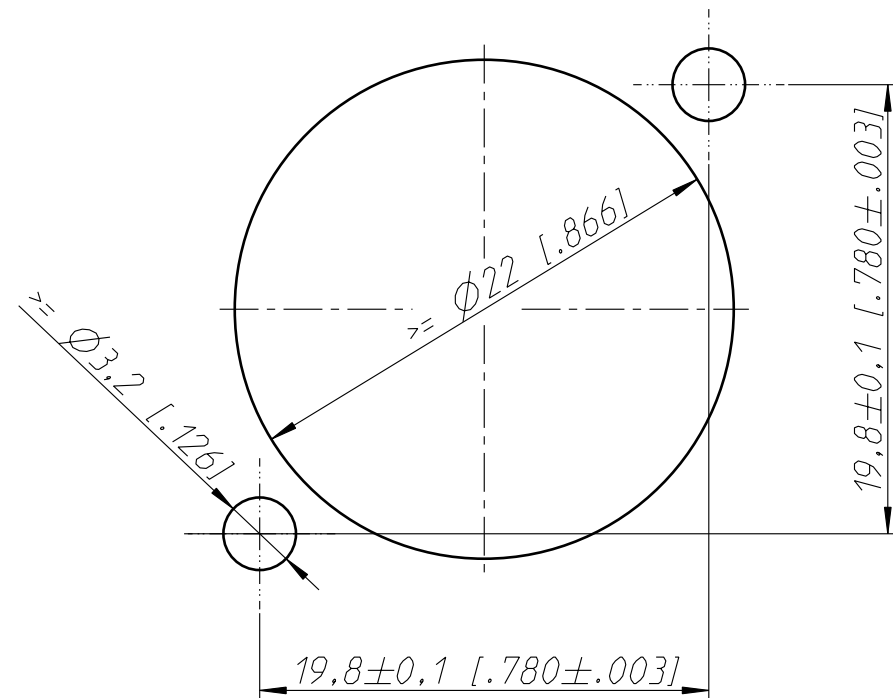
Frontplattenausschnitt (Rückseite)
Panel cut out (rear side)



Print-Bohrplan (Bestückungsseite)
PCB-LAYOUT (component side)



min. Einbauabstand
min assembling distance



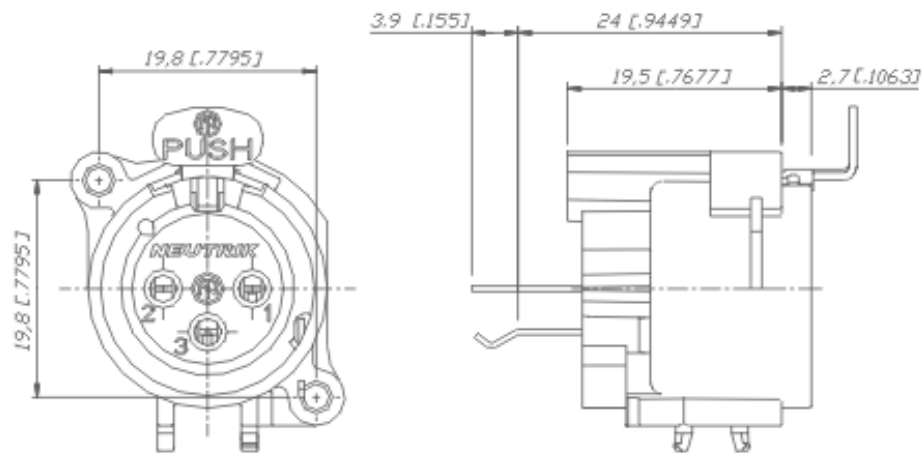
Allgemeintoleranzen ISO 2768-m	Werkstoff	Maßstab:	Datum	Name	
Zeichnung urheberrechtlich geschützt (DIN 34) (C)	-	3:1 (A3)	Gezeichnet	27.11.02	Dobler
			Freigegeben	-	-
			Geaendert	25.09.03	Ender
Benennung	NC3FAAV1 NC3FAAV1	Aend.-Nr.	-	Aend.-Index -	
NEUTRIK AG FL-9494 SCHAAN			Ersatz fuer:	Blatt 1 von 1 Bl.	
			Zeichn. Nr.	ST-NC3FAAV1	



Audio

AA Series

NC3FAAV1



There are no technical infos for this product.

Product	
Connector Type	XLR
Gender	female
Electrical	
Capacitance between contacts	≤ 7 pF
Contact resistance	≤ 8 m Ω
Dielectric strength	1,5 kVdc
Insulation resistance	> 2 G Ω (initial)
Insulation resistance	> 1 G Ω (after damp heat test)
Rated current per contact	6 A
Rated voltage	50 V
Grounding options	Pin 1 connected direct to front panel and connector shell, no separate ground contact
Mechanical	
Insertion force	≤ 20 N
Withdrawal force	≤ 20 N
Lifetime	> 1000 mating cycles
Wiring	Vertical PCB mount
Locking device	latch lock
Mounting direction	rear
Chassis shape	A

Mounting A-Screw

Material

Contact plating 0.2 µm AuCo over 2 µm NiP15 (Tribor®)

Contacts Bronze (CuSn6)

Insert Polyamide (PA 6.6 30 % GR)

Locking element Steel Ck67

Flange Black Plastic

Environmental

Flammability UL 94 HB

Standard compliance IEC 61076-2-103

Solderability Complies with IEC 68-2-20

Temperature range -30 °C to +80 °C

Optical

Mobile Cables