

PTC HEATER

RCE 016 | 5 & 9 W



- > Compact size
- > Wide voltage range
- > Energy saving

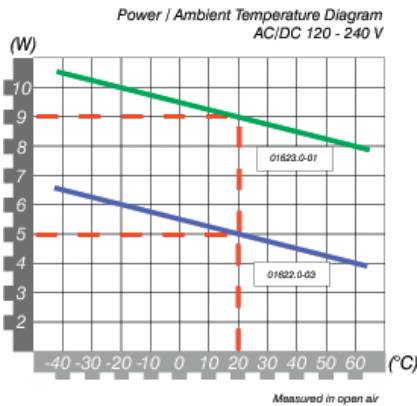
> Heating power adjusts to ambient temperature

The RCE 016 small heaters have been designed to prevent condensation and to ensure a minimum operating temperature in small enclosures.

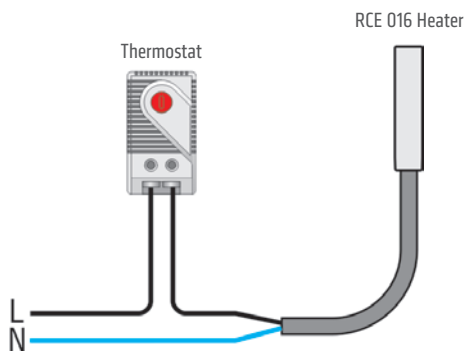


TECHNICAL DATA

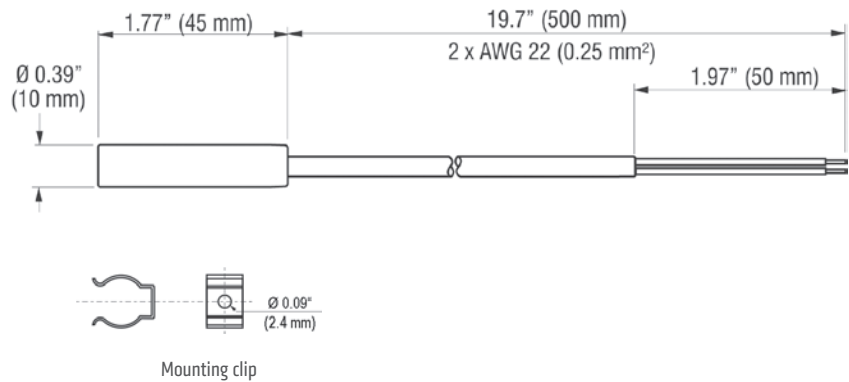
Operating voltage	see table below
Heating element	PTC resistor - temperature limiting
Heater body	aluminum, anodized
Insulation	PTFE / Kapton
Mounting	2 pressure clips included (mounting screws not included)
Mounting position	variable
Operating / Storage temperature	-49 to +158 °F (-45 to +70 °C)
Operating / Storage humidity	max. 90 %RH (non-condensing)
Protection class / Protection type	II (double insulated) / IP54



Wiring example



PTC Heater RCE 016



Part No.	Heating capacity ¹	Operating voltage ²	Max. current (inrush)	Recommended pre-fuse T (time-delay)	Surface temperature (approx.) ¹	Weight (approx.)	Approvals		
01622.0-03	5 W	AC/DC 120-240 V	2.0 A	2.0 A	329 °F (165 °C)	0.7 oz. (20 g)	UL File No. E234324	VDE	EAC
01623.0-01	9 W	AC/DC 120-240 V	2.5 A	4.0 A	347 °F (175 °C)	0.7 oz. (20 g)	UL File No. E234324	VDE	EAC
01624.0-03	5 W	AC/DC 12-30 V	5.8 A	6.3 A	284 °F (140 °C)	0.7 oz. (20 g)	UL File No. E234324		EAC
01625.0-02	10 W	AC/DC 12-30 V	2.5 A	4.0 A	360 °F (182 °C)	0.7 oz. (20 g)	UL File No. E234324		EAC

¹ at 68 °F (20 °C) ambient temperature; ² operating high voltage heaters below AC/DC 140 V reduces heating performance by approx. 10% (min. 110 V, max 265 V).