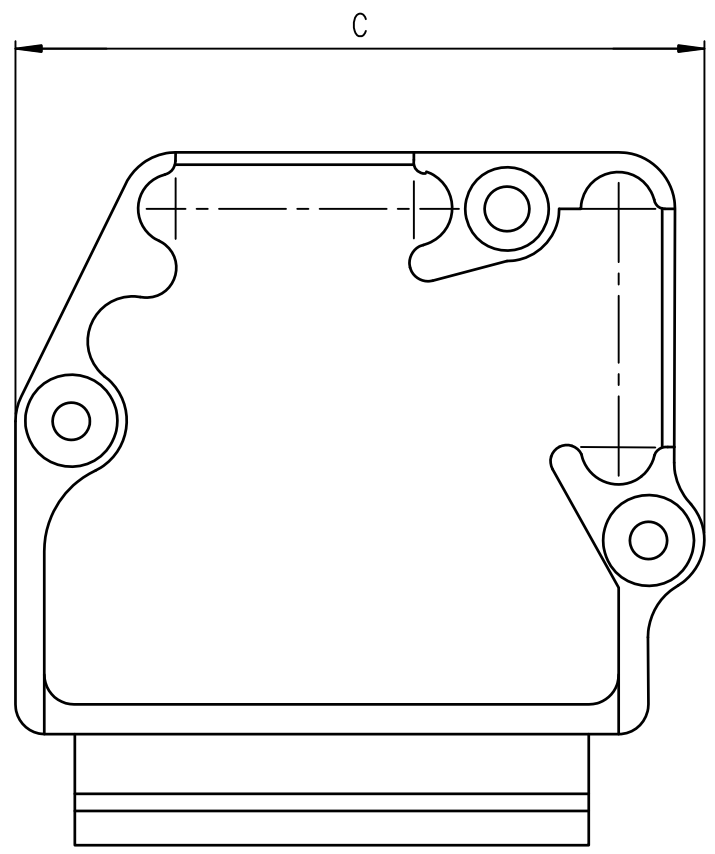
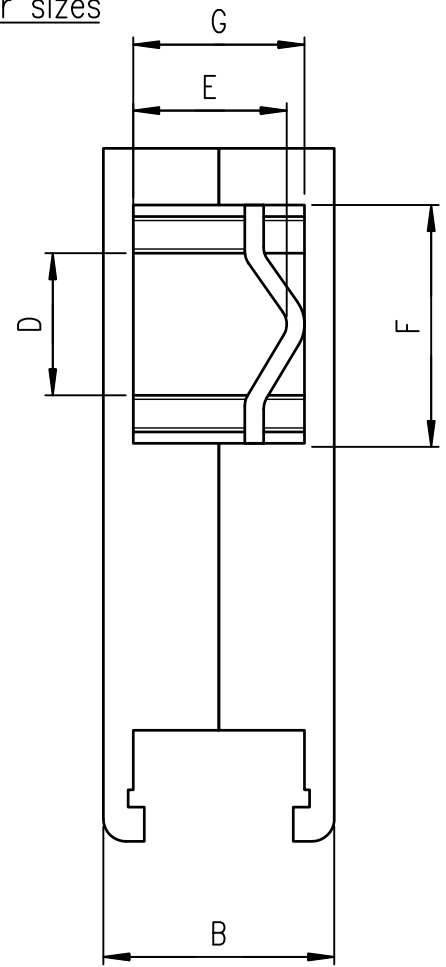
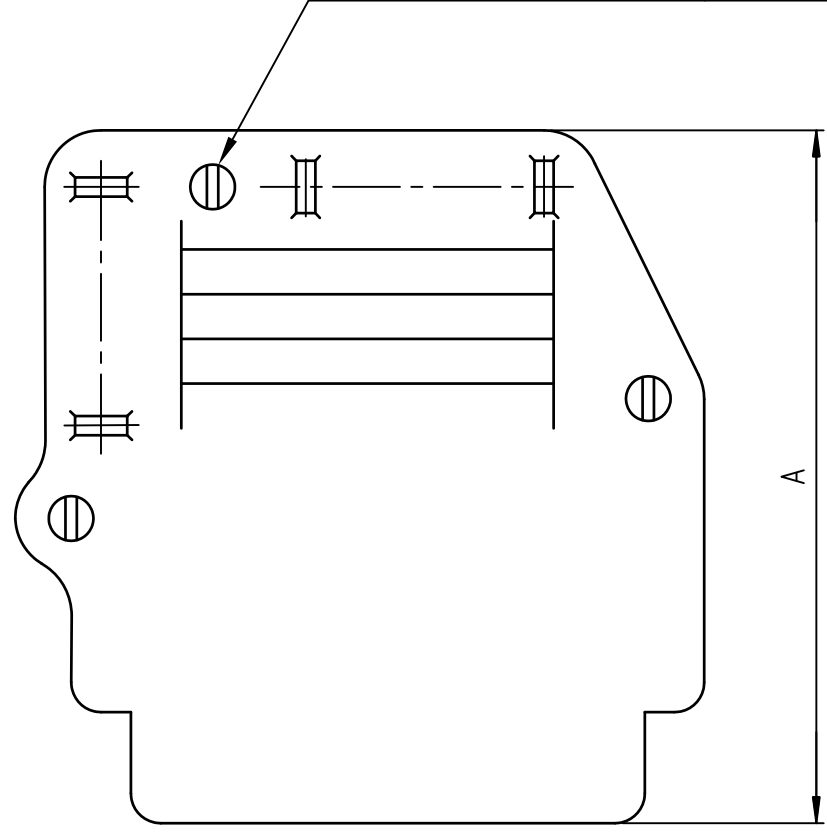


2 Screws for sizes 9&15, 3 for other sizes



MATERIAL:
thermoplastic

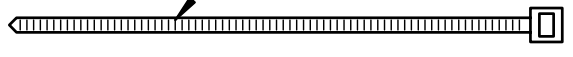
TEMPERATURE RANGE:
- Climatic category -55°/ +95°

PACKAGING:
Box of 50 individual sets



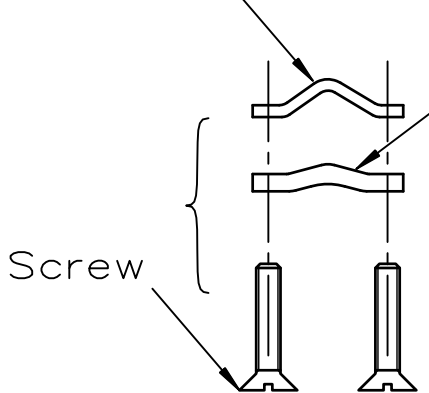
FCIconnect.com

Tie-Wrap



CLAMP FOR OTHER SIZES

CLAMP FOR SIZE 9



| Bill of material | | |
|------------------|----------|--------------------|
| components | Hood kit | Kit for 2 exit use |
| 1/2 Hood | 2 | 0 |
| Screw | 2 | 2 |
| Tapping Screw | 3 | 0 |
| Tie Wrap | 1 | 1 |
| Clamp | 1 | 1 |

| Shell size | Number of contacts | A±0.3 | B±0.3 | C±0.3 | With clamp | | Without clamp | | PART NUMBER | | |
|------------|--------------------|-------|-------|-------|------------|------|---------------|-------|-------------|--------------|----------------------|
| | | | | | D±0.2 | E | | F±0.5 | G±0.5 | Black hood | Kit for 2 exit use * |
| | | | | | | mini | maxi | | | | |
| E | 09 | 29.80 | 15.50 | 24.25 | 6.00 | 0.25 | 10.30 | 8.00 | 11.70 | 863093C09ALF | 863093CEALF |
| A | 15 | 29.80 | 15.50 | 32.50 | 6.00 | 0.25 | 10.30 | 8.00 | 11.70 | 863093C15ALF | |
| B | 25 | 46.80 | 15.50 | 46.00 | 13.90 | 2.30 | 10.30 | 16.20 | 11.70 | 863093C25ALF | 863093CBCLF |
| C | 37 | 46.80 | 15.50 | 60.50 | 13.90 | 2.30 | 10.30 | 16.20 | 11.70 | 863093C37ALF | |
| D | 50 | 48.80 | 18.00 | 56.50 | 15.60 | 3.90 | 12.60 | 18.00 | 14.00 | 863093C50ALF | 863093CDLF |

Dimensions are in millimeters * additional accessories to be ordered separately

NOTE: RoHS INFORMATIONS

- The "LF" product meets European union Directives and other country regulations as described in GS-47-0004.
- The product is not intended to be exposed to a manufacturing solder process.
- Packaging spec: see GS-14-920.

| | | | | | | | | | | | |
|-------------|--|----------------|--|-------------|--|------------------|--|------------|--|------------------------|--|
| mat'l. code | | | | surface | | tolerance | | projection | | product family | |
| - | | | | ISO 1302 ✓ | | ISO 406 ISO 1101 | | | | D-SUB | |
| ltr | | | | ecn no | | dr | | date | | title | |
| H | | | | ELX-I-15087 | | MP | | 2013/06/27 | | UNIVERSAL PLASTIC HOOD | |
| - | | | | - | | - | | - | | - | |
| C | | | | LS07-0319 | | MPE | | 2007/12/18 | | - | |
| D | | | | LS07-0321 | | MPE | | 2007/12/19 | | - | |
| E | | | | I09-0117 | | AMR | | 2009/06/26 | | - | |
| F | | | | I09-0161 | | AMR | | 2009/08/13 | | - | |
| G | | | | I11-0091 | | AMR | | 2011-05-14 | | - | |
| sheet index | | revision sheet | | H | | | | | | | |
| 1 | | 1 | | | | | | | | | |



dwg no C01-8655-1617 sheet 1 of 1 size A3

type CUSTOMER Drawing

Copyright FCI