



»» Features

- Mini 280 automotive relay.
- SPNC, SPNO, SPDT contact configurations.
- NO contacts switch 50A resistive load, NC contacts switch 30A resistive load, 100,000 ops., 23°C.
- Operating ambient temperature -40°C to 125°C.
- Available with plain cover, flanged cover, bracketed cover, skirted cover, and weather proof cover.
- Optional resistor or diode for coil transient suppression.
- Complies with RoHS-Directive 2011/65/EU and ELV-Directive 2000/53/EC.

»» Type List

| Terminal style | Contact form | Enclosure style | | |
|-----------------|--------------|-----------------|------------|----------------------|
| | | Dust cover | Flux tight | Sealed type washable |
| Socket terminal | 1A (SPNO) | 898-1AH-D | 898-1AH-C | 898-1AH-S |
| | | 898H-1AH-D | 898H-1AH-C | 898H-1AH-S |
| | 1C (SPDT) | 898-1CH-D | 898-1CH-C | 898-1CH-S |
| | | 898H-1CH-D | 898H-1CH-C | 898H-1CH-S |

| Terminal style | Contact form | Enclosure style | |
|-----------------|--------------|----------------------------|----------------------------|
| | | Flanged cover (dust cover) | Flanged cover (flux tight) |
| Socket terminal | 1A (SPNO) | 898-1AH-D1 | 898-1AH-C1 |
| | | 898H-1AH-D1 | 898H-1AH-C1 |
| | 1C (SPDT) | 898-1CH-D1 | 898-1CH-C1 |
| | | 898H-1CH-D1 | 898H-1CH-C1 |

| Terminal style | Contact form | Enclosure style | |
|-----------------|--------------|----------------------------|----------------------------|
| | | Steel bracket (dust cover) | Steel bracket (flux tight) |
| Socket terminal | 1A (SPNO) | 898-1AH-D1S | 898-1AH-C1S |
| | | 898H-1AH-D1S | 898H-1AH-C1S |
| | 1C (SPDT) | 898-1CH-D1S | 898-1CH-C1S |
| | | 898H-1CH-D1S | 898H-1CH-C1S |

| Terminal style | Contact form | Designation (provided with) | Enclosure style | |
|-----------------|--------------|-----------------------------|--|---|
| | | | Steel bracket (dust cover with shroud) | Steel bracket (dust cover with weather proof) |
| Socket terminal | 1C (SPDT) | Resistor | 898H-1CH-D1SF-R1 | 898H-1CH-D1SW-R1 |

Ordering Information

898 - 1CH - C -

1 2 3 4 5 6 7

- | | | | |
|----------|--|-----------------------------|---|
| 1. 898 | -- Basic series designation | C1S | -- Steel bracket (flux tight) |
| 2. Blank | -- Standard type | S1S | -- Steel bracket (sealed type washable) |
| H | -- High power type | D1SF | -- Steel bracket (Dust cover with shroud) |
| 3. 1AH | -- Single pole normally open, contact material AgSnO | D1SW | -- Steel bracket (Dust cover with weather proof) |
| 1BH | -- Single pole normally closed, contact material AgSnO | DUSW | -- Dust cover with weather proof |
| 1CH | -- Single pole double throw, contact material AgSnO | 5. Blank | -- Standard type |
| 4. D | -- Dust cover | R1 | -- Coil parallel with resistor 1/2W for 12V 680Ω, 24V 2700Ω |
| C | -- Flux tight | 6. Blank | -- Standard type |
| S | -- Sealed type washable | 001 | -- Coil parallel with diode 1N4007 the positive pole on # 85 terminal |
| D1 | -- Flanged cover (dust cover) | 002 | -- Coil parallel with diode 1N4007 the negative pole on # 85 terminal |
| C1 | -- Flanged cover (flux tight) | 7. <input type="checkbox"/> | -- Coil voltage (please refer to the coil rating data for the availability) |
| S1 | -- Flanged cover (sealed type washable) | | |
| D1S | -- Steel bracket (dust cover) | | |

Contact Rating

| Resistive load | 898 1A | 898 1B | 898 1C |
|----------------|------------------------|------------------------|--|
| | 40A 14VDC | 40A 14VDC | NO : 30A 14VDC NC : 20A 14VDC |
| | 898H 1A | 898H 1B | 898H 1C |
| | 50A 14VDC 20A 28VDC | 40A 14VDC 15A 28VDC | NO: 50A 14VDC, 20A 28VDC NC: 30A 14VDC, 15A 28VDC |

Coil Rating (DC)

| Rated voltage (V) | Rated current ±10 % at 23°C (mA) | Coil resistance ±10 % at 23°C (Ω) | Max. continuous voltage at 85°C ⁽¹⁾ | Pick up voltage(Max.) at 23°C | Drop out voltage(Min.) at 23°C | Power consumption at rated voltage |
|-------------------|----------------------------------|-----------------------------------|--|-------------------------------|--------------------------------|------------------------------------|
| 12 | 133 | 90 | 120 % of rated voltage | 65 % of rated voltage | 10 % of rated voltage | approx. 1.6W |
| 24 | 66.7 | 360 | | | | |

Notes : (1) Without switching the load.

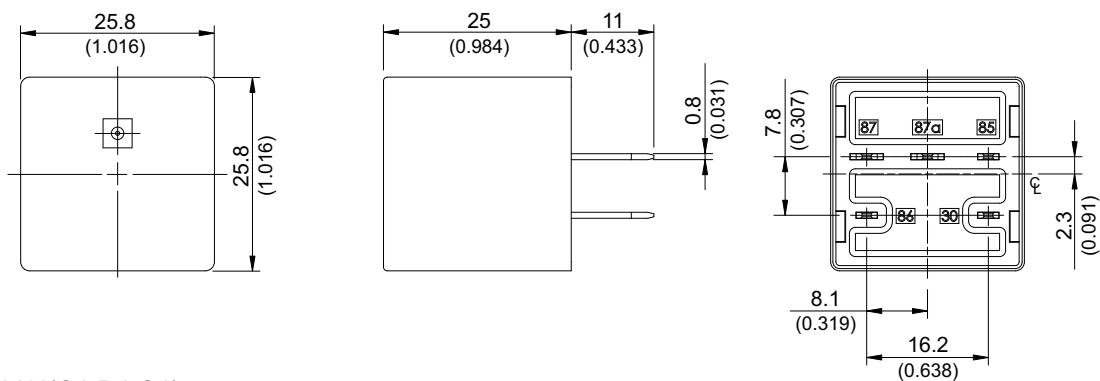
»» Specification

| | | |
|--------------------------------------|--------------------------|---|
| Contact material | AgSnO alloy | |
| Contact voltage drop ⁽¹⁾ | Typ. 50mV at 10A | |
| Insulation resistance ⁽¹⁾ | 20MΩ Min. (DC 500V) | |
| Operate time ⁽¹⁾ | 20ms Max. | |
| Release time ⁽¹⁾ | 20ms Max. | |
| Dielectric strength ⁽¹⁾ | Between open contact | : AC 500V , 50/60Hz 1 min. |
| | Between contact and coil | : AC 500V , 50/60Hz 1 min. |
| Vibration resistance | Operating extremes | 10~500Hz , 5.0G |
| | Damage limits | 10~500Hz , 5.0G |
| Shock resistance | Operating extremes | 10G |
| | Damage limits | 100G |
| Life expectancy | Mechanical | 10,000,000 operations (frequency 18,000 operations/hr) |
| | Electrical | 100,000 operations (frequency 1,200 operations/hr) |
| Operating ambient temperature | -40~+125°C (no freezing) | |
| Weight | Approx. 40 g | |

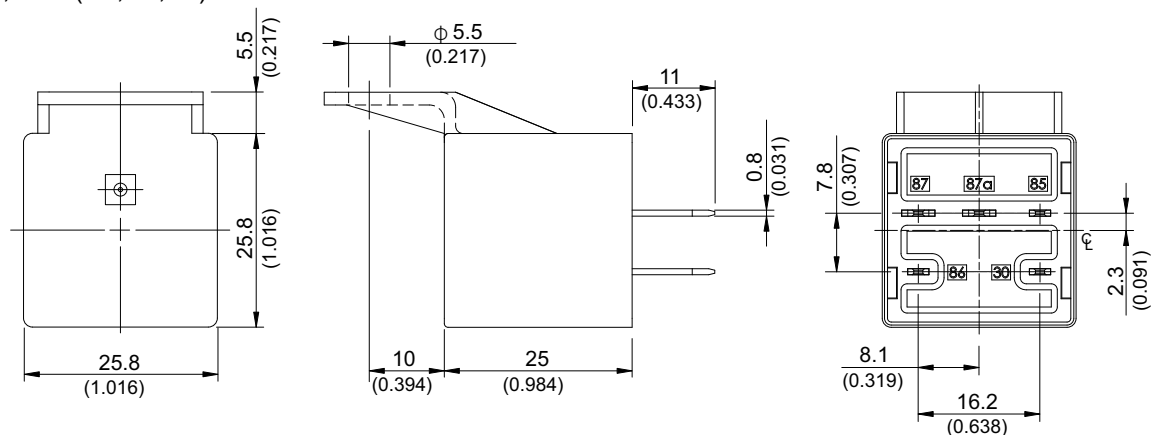
Note : (1) Initial value. Operate and release time excluding contact bounce.

»» Outline Dimensions

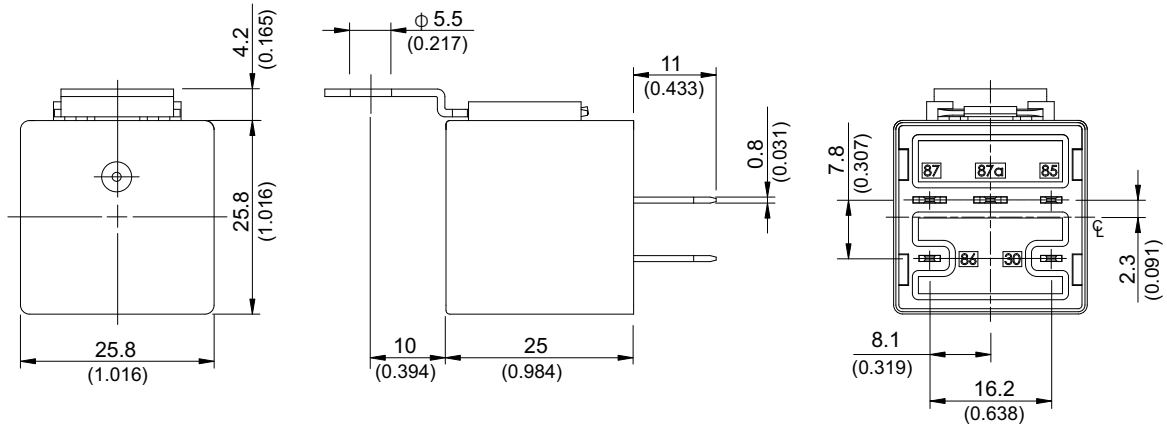
◆ 898,898H(C,D,S)



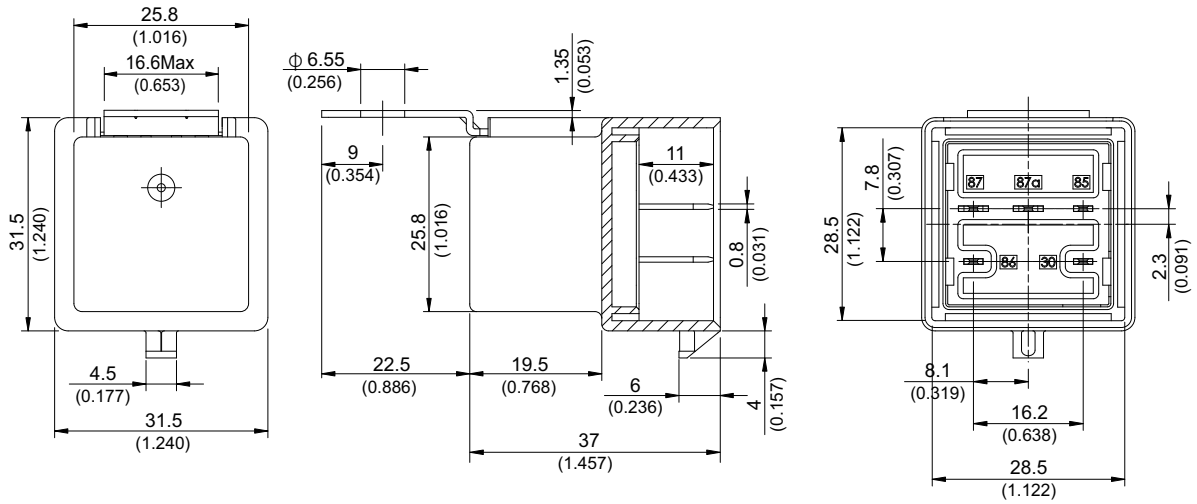
◆ 898,898H(C1,D1,S1)



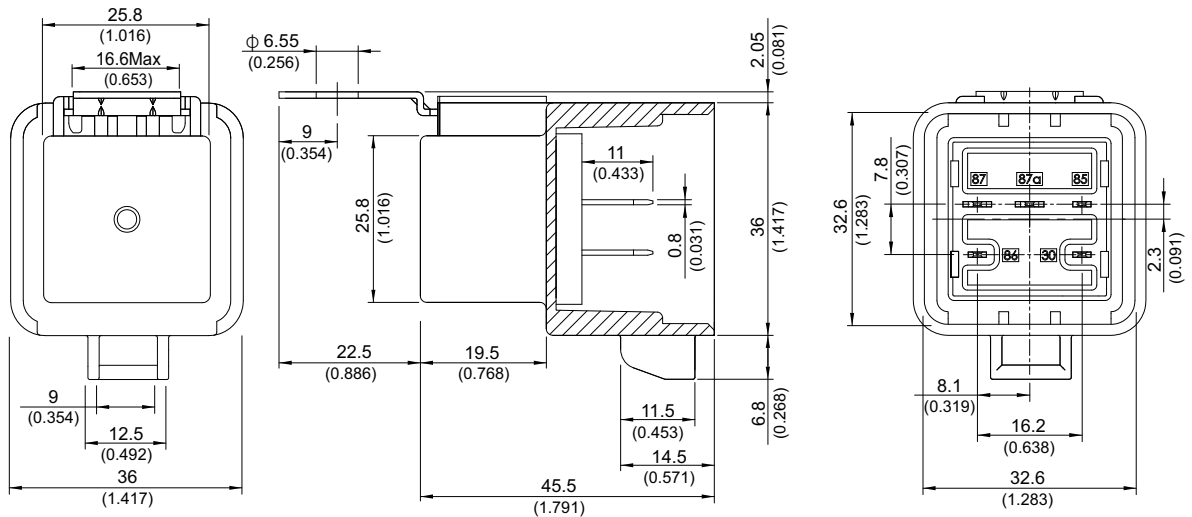
◆ 898, 898H (C1S, D1S, S1S)



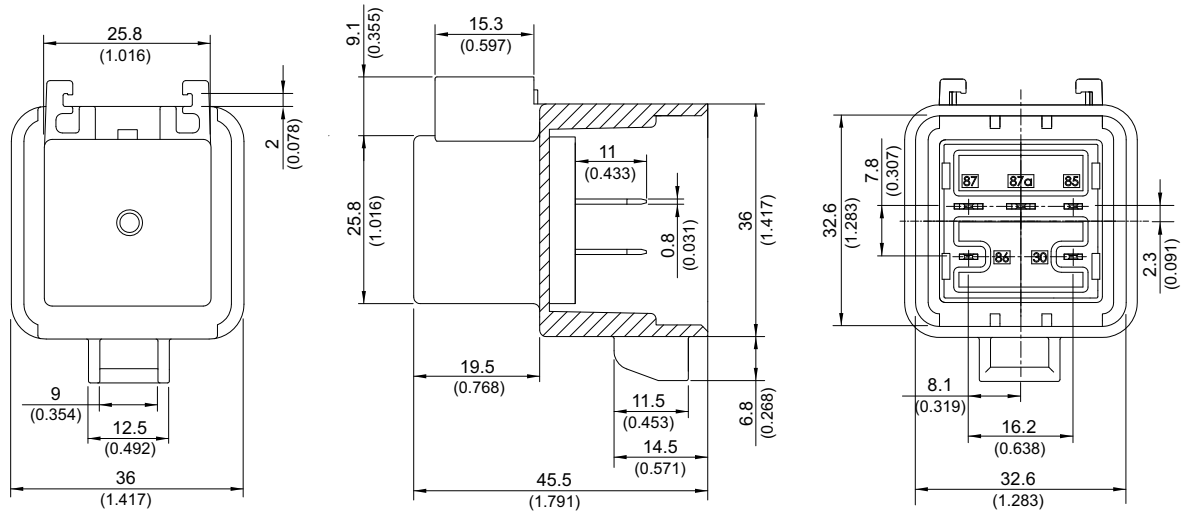
◆ 898H (D1SF)



◆ 898H (D1SW)

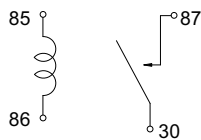


◆ 898H (DUSW)

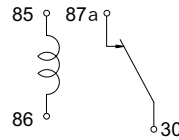


»» Wiring Diagram
BOTTOM VIEW

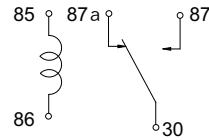
1A



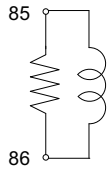
1B



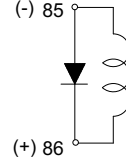
1C



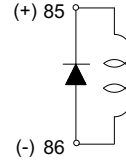
R1



001



002



»» Engineering Data

