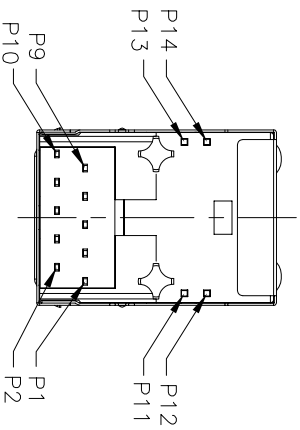
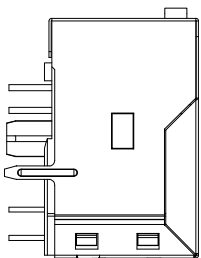
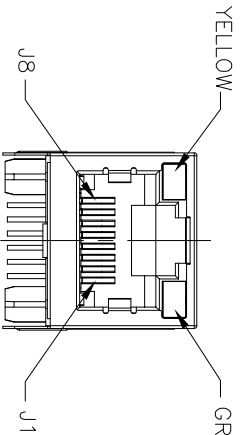
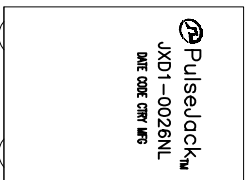


NOTES:

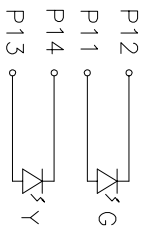
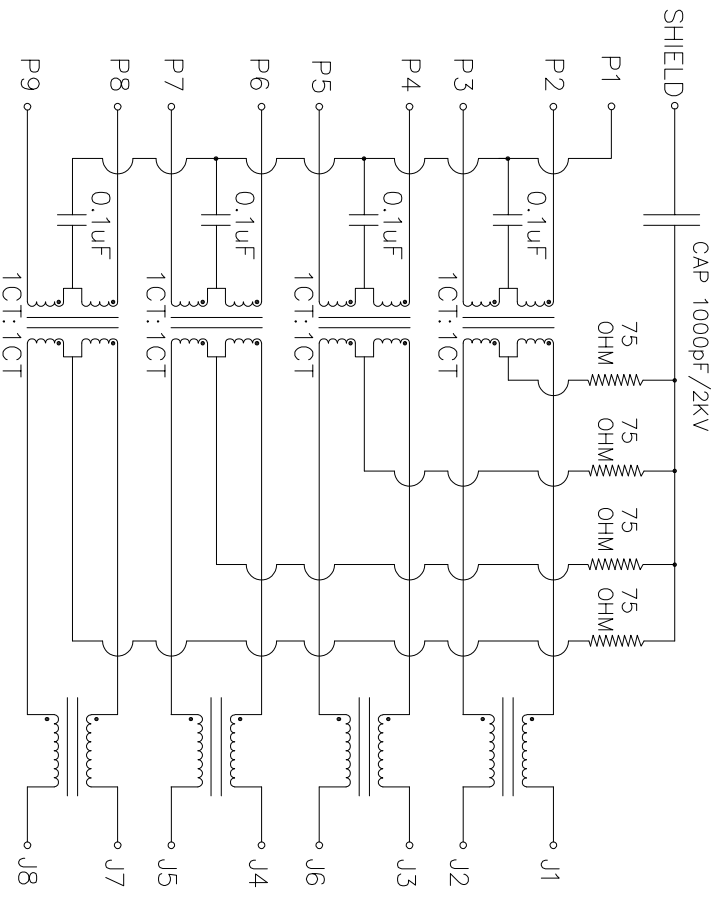
- CONNECTOR MATERIAL:
HOUSING:THERMOPLASTIC BLACK UL94 V-0
SHIELD:BRASS
SHIELD PLATING:NICKEL
CONTACT:PHOSPHOR BRONZE
CONTACT PLATING: SELECTIVE GOLD, 30 MICRO-INCHS MIN
IN CONTACT AREA
- PIN NOT ELECTRICALLY CONNECTED MAYBE OMITTED SEE ELECTRICAL DRAWING FOR OMITTED PINS
- RJ45 CAVITIES CONFORM TO FCC RULES AND REGULATION PART 68.
- THE PART IS RECOMMENDED FOR WAVE SOLDERING PROCESS PEAK SOLDERING TEMPERATURE IS 260°C MAX, 10 SECS MAX
- OPERATING TEMPERATURE T=-40°C TO +85°C.
- STORAGE TEMPERATURE T=-40°C TO +85°C.



FINAL OUTLINE

© Copyright, 2017, Pulse Electronics Corp. All rights reserved. Pulse confidential & proprietary. (05/17/17)

PRODUCT DESCRIPTION	TLA DRAWING	PS DRAWING	SHEET	PART NO.	DATASHEET REV.
CONN,RJ45,1X1,1GD,1:1,TU	JXD1-0026NL-X1	-	1 OF 5	JXD1-0026NL	A



SCHEMATIC

ELECTRONICAL SPECIFICATIONS:

- TURN RATIO @100KHZ: (P2~P3):(J1~J2) = 1:1±5%
(P4~P5):(J3~J6) = 1:1±5%
(P6~P7):(J4~J5) = 1:1±5%
(P8~P9):(J7~J8) = 1:1±5%
- PRIMARY INDUCTANCE: 350uH MIN @100KHZ,0.1V 8mA DC BIAS
- DC RESISTANCE: 1.2 OHMS MAX
- INSERTION LOSS: 1-100MHZ -1.0dB MAX
100-125MHZ -1.2dB MAX
- RETURN LOSS: 1-40MHZ -16dB MIN
40-60MHZ -12dB MIN
60-80MHZ -10dB MIN
80-100MHZ -8dB MIN
- CROSS TALK: 1-100MHZ -30dB MIN
- COMMON TO COMMON MODE ATTENUATION: 1-100MHZ -30dB MIN
- ISOLATION: PHY SIDE TO LINE SIDE: 2250VDC

LED SPECIFICATION

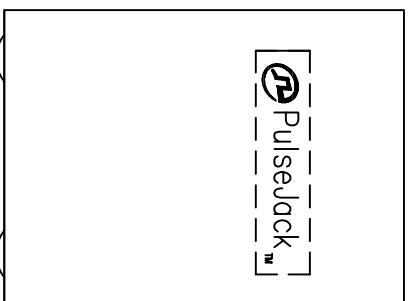
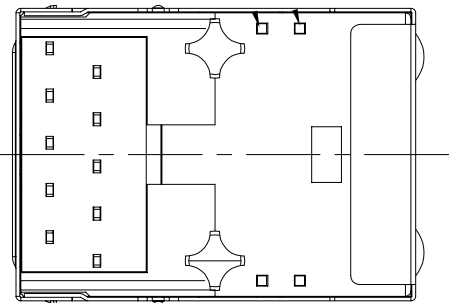
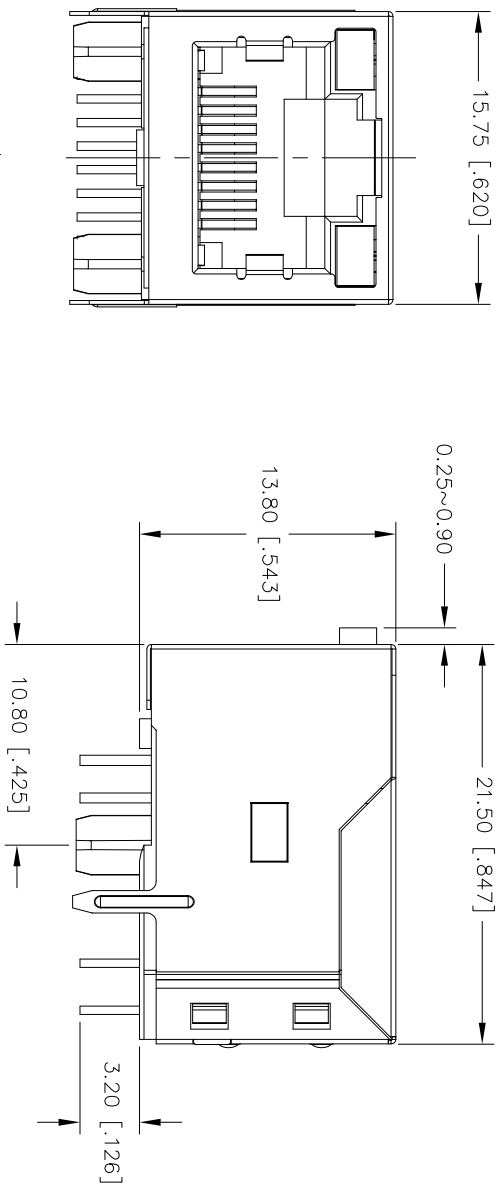
STANDARD LED	WAVELENGTH	FORWARD V(max)	TYP
GREEN	565nm	2.4V	2.2V
YELLOW	590nm	2.5V	2.1V

*WITH A FORWARD CURRENT OF 20mA

© Copyright, 2017, Pulse Electronics Corp. All rights reserved. Pulse confidential & proprietary. (05/17/17)

PRODUCT DESCRIPTION	TLA DRAWING	PS DRAWING	SHEET	PART NO.	DATASHEET REV.
CONN,RJ45,1X1,1GD,1:1,TU	JXD1-0026NL-X1	-	2 OF 5	JXD1-0026NL	A

E-MAIL: PRODINFO@PULSEELECTRONICS.COM(US), ASIA@PULSEELECTRONICS.COM(ASIA) PHONE: USA:858 674 8100, GERMANY:49 7032 78060, SINGAPORE:65 6287 8998, SHANGHAI:86 21 62787060, TAIWAN:886 3 4356768

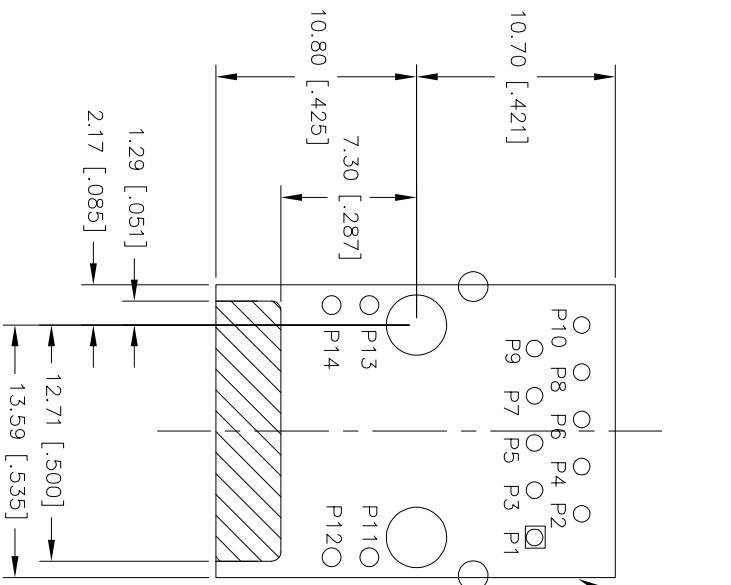


DIMENSIONS ARE IN MILLIMETERS [INCHES] WITH THE FOLLOWING TOLERANCES: [INCHES] ARE FOR REFERENCE ONLY.
X.XX = ±0.25 [±.010]

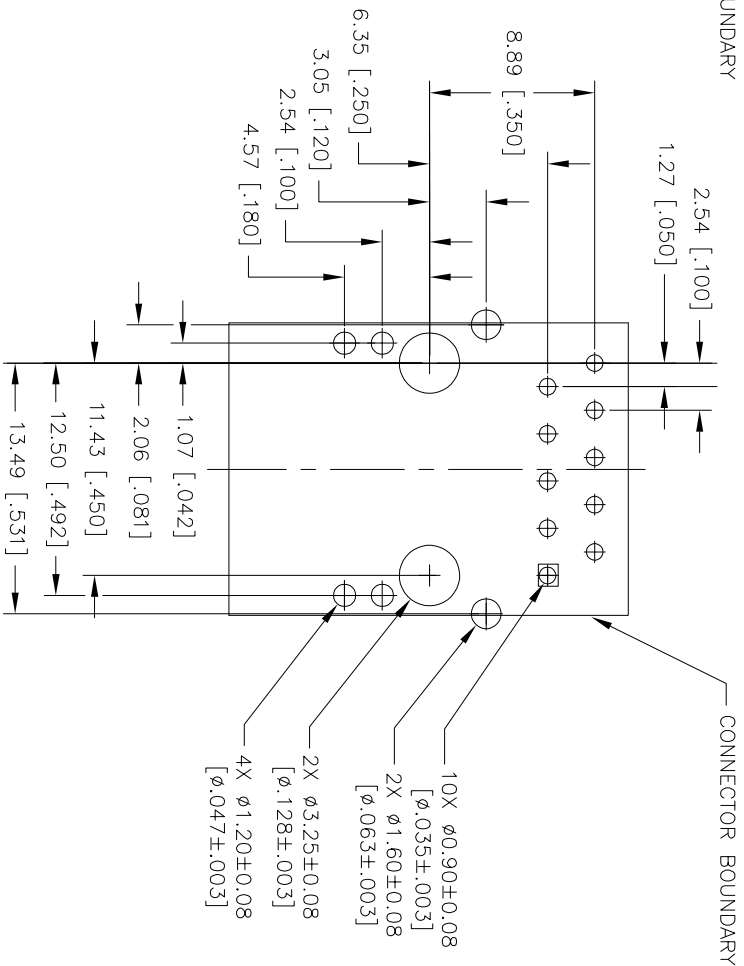
© Copyright, 2017, Pulse Electronics Corp. All rights reserved. Pulse confidential & proprietary. (05/17/17)

PRODUCT DESCRIPTION	TLA DRAWING	PS DRAWING	SHEET	PART NO.	DATASHEET REV.
CONN,RJ45,1X1,1GD,1:1,TU	JXD1-0026NL-X1	-	3 OF 5	JXD1-0026NL	A

E-MAIL: PRODINFO@PULSEELECTRONICS.COM(US), ASIA@PULSEELECTRONICS.COM(ASIA) PHONE: USA:858 674 8100, GERMANY:49 7032 78060, SINGAPORE:65 6287 8998, SHANGHAI:86 21 62787060, TAIWAN:886 3 4356768



CONNECTOR BOUNDARY



CONNECTOR BOUNDARY

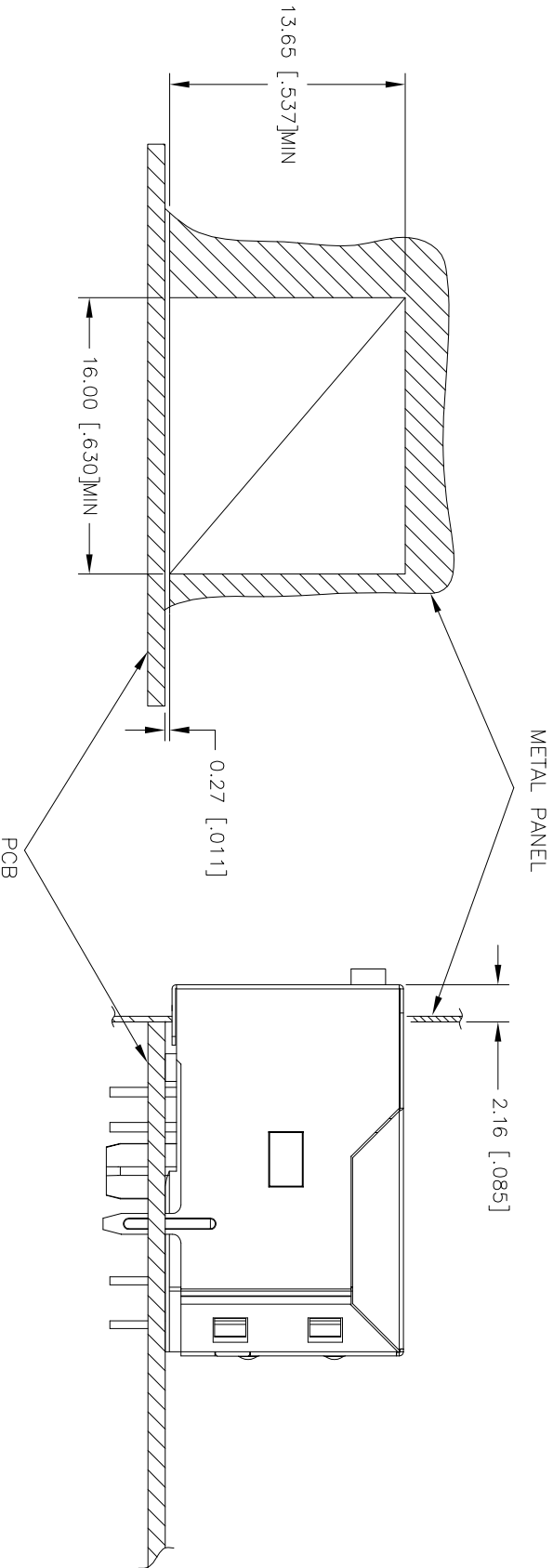
KEEP-OUT AREA (COMPONENT SIDE SHOWN)

RECOMMENDED PWB LAYOUT
(COMPONENT SIDE SHOWN)

DIMENSIONS ARE IN MILLIMETERS [INCHES] WITH THE FOLLOWING
TOLERANCES: [INCHES] ARE FOR REFERENCE ONLY.
X.XX = ± 0.10 [$\pm .004$]

© Copyright, 2017, Pulse Electronics Corp. All rights reserved. Pulse confidential & proprietary. (05/17/17)

PRODUCT DESCRIPTION	TLA DRAWING	PS DRAWING	SHEET	PART NO.	DATASHEET REV.
CONN,RJ45,1X1,1GD,1:1,TU	JXD1-0026NL-X1	-	4 OF 5	JXD1-0026NL	A



SUGGESTED PANEL CUTOUT

DIMENSIONS ARE IN MILLIMETERS [INCHES] WITH THE FOLLOWING TOLERANCES: [INCHES] ARE FOR REFERENCE ONLY.
X.XX = ±0.10 [±.004]

© Copyright, 2017, Pulse Electronics Corp. All rights reserved. Pulse confidential & proprietary. (05/17/17)

PRODUCT DESCRIPTION	TLA DRAWING	PS DRAWING	SHEET	PART NO.	DATASHEET REV.
CONN,RJ45,1X1,1GD,1:1,TU	JXD1-0026NL-X1	-	5 OF 5	JXD1-0026NL	A

E-MAIL: PRODINFO@PULSEELECTRONICS.COM(US), ASIA@PULSEELECTRONICS.COM(ASIA) PHONE: USA: 858 674 8100, GERMANY: 49 7032 78060, SINGAPORE: 65 6287 8998, SHANGHAI: 86 21 62787060, TAIWAN: 886 3 4356768