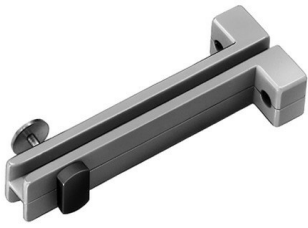


Data sheet Product MSVL 70

 [Print data sheet](#)  [Recommend page](#)

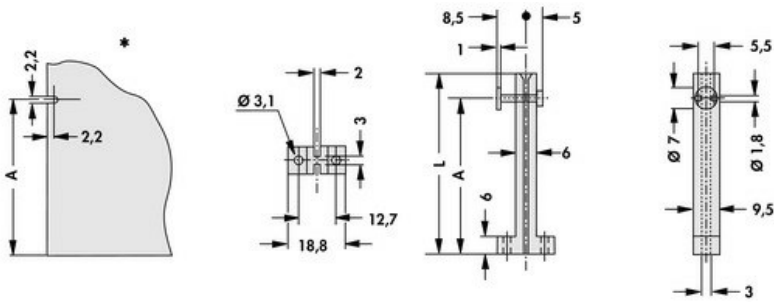


Accessories for electronic components > Fixing material for mechanical components > Guide rails
 * = position of snap-in slot

Features

version:	with bolting device
type of mounting:	screw-on type
material:	polyamide, GF reinforced
temperature range:	-40°C... +205°C
class of inflammability:	UL 94 V-0

Technical Drawing



L	70 mm
:	
A (height):	62 mm