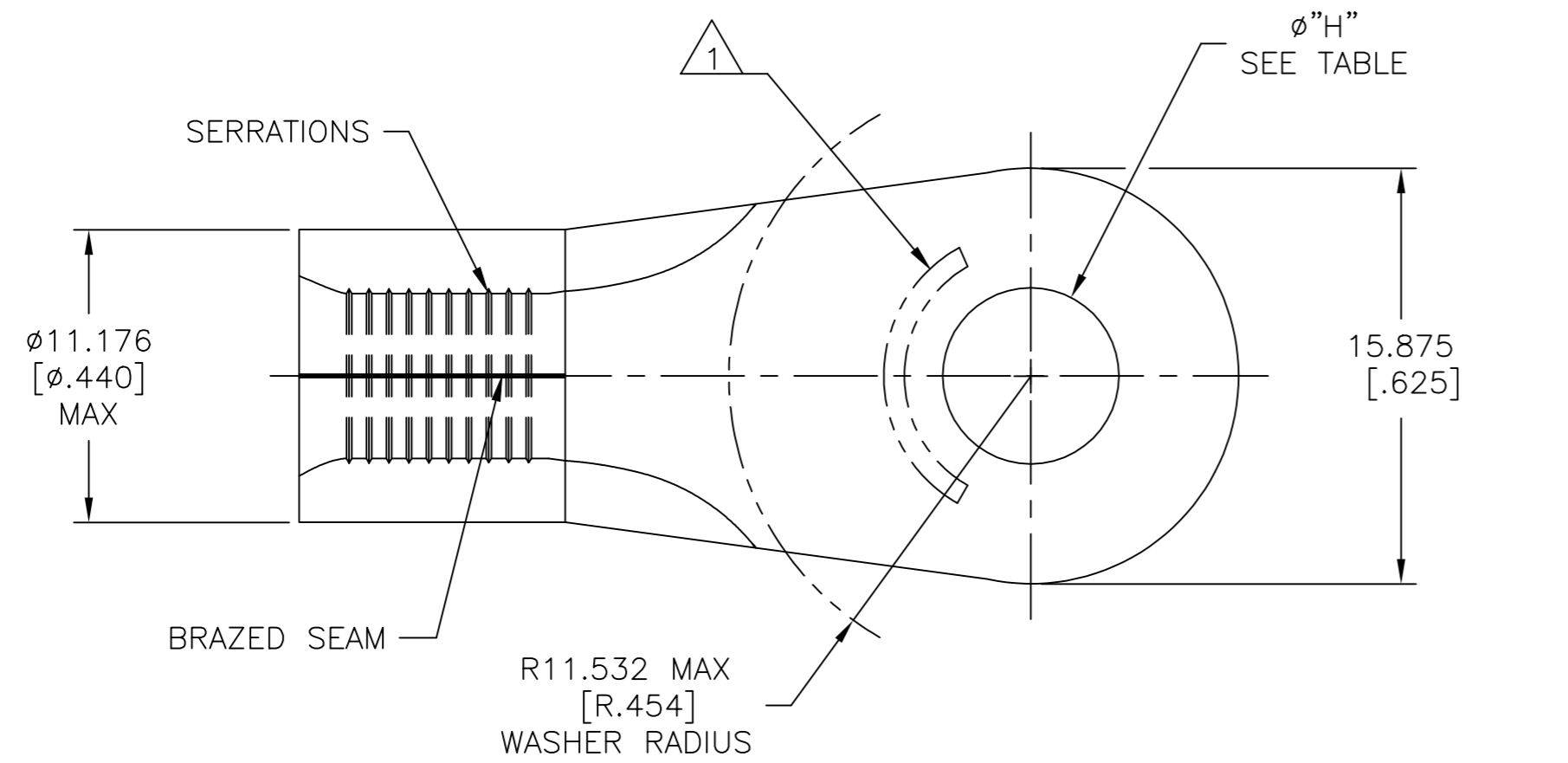


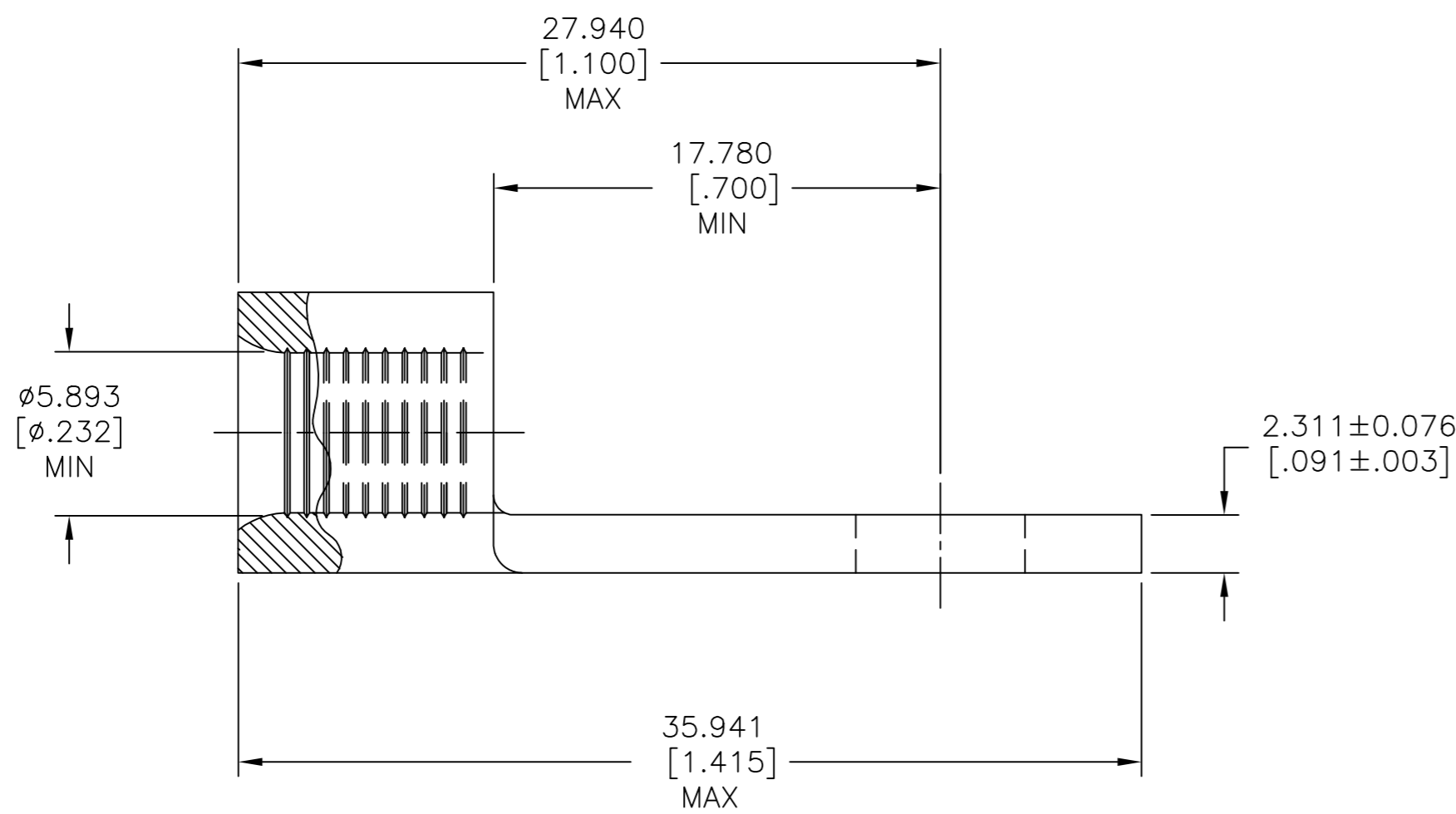
THIS DRAWING IS UNPUBLISHED. RELEASED FOR PUBLICATION
 © COPYRIGHT - TE Connectivity Ltd. ALL RIGHTS RESERVED.

REVISIONS					
P	LTR	DESCRIPTION	DATE	DWN	APVD
C		REV & REDRAWN PER 0720-0040-93	3-24-93	TAB	DAP
C1		REVISED PER ECO-17-008808	05MAR2018	RS	DR



AMP WIRE RANGE	E13288 Listed
6HD AWG SOLID OR STRANDED	6HD AWG STRANDED
LR7189 Certified	MILITARY P/N AND CLASS
6HD AWG SOLID OR STRANDED	NOT APPLICABLE

1 STAMP AMP 6HDW* APPROX AS SHOWN



100	LOOSE PIECE	3/8	Ø9.906±0.127 [Ø.390±.005]	1-331417-1
QUANTITY	PACKAGE TYPE	STUD SIZE	"H"	PART NO

AMP INCORPORATED CUSTOMER SERVICE SYSTEMS			THIS DRAWING IS A CONTROLLED DOCUMENT.		DWN TA BRINKMAN 3-24-93	TE Connectivity Ltd. NAME TERMINAL, RING TONGUE, HEAVY DUTY, SOLISTRAND™ 6 AWG
FOR ADDITIONAL PRODUCT INFORMATION OR COPIES OF DRAWINGS AND TECHNICAL DOCUMENTS	PRODUCT INFORMATION CENTER 1-800-522-6752	MAX RECOMMENDED OPERATING TEMPERATURE: 170°C [338°F] MAX	DIMENSIONS: mm [INCHES]	TOLERANCES UNLESS OTHERWISE SPECIFIED:	CHK DA PATTERSON 3-24-93	
FOR APPLICATION	TOOLING ASSISTANCE CENTER 1-800-722-1111	VOLTAGE RATING: NOT APPLICABLE		0 PLC ± -	APVD JL MECKLEY 3-24-93	
TOOLING INFORMATION	1-800-722-1111	WIRE CROSS SECTIONAL AREA RANGE, 10.5-16.8mm²[20,800-33,100] CIR MILS SOLID OR STRANDED		1 PLC ± -	2 PLC ± -	
FOR ORDER ENTRY	1-800-526-5142		MATERIAL COPPER PER ASTM B-152 ANNEALED	3 PLC ± 0.127[.005]	APPLICATION SPEC -	SIZE A2
				4 PLC ± -	WEIGHT -	CAGE CODE 00779
				ANGLES ± -	FINISH TIN PLATE 0.00254[.000100] MIN THK PER ASTM B545	DRAWING NO C=331417
					CUSTOMER DRAWING	RESTRICTED TO -
					SCALE 4:1	SHEET 1 of 1
					REV C1	

Mouser Electronics

Authorized Distributor

Click to View Pricing, Inventory, Delivery & Lifecycle Information:

[TE Connectivity:](#)

[1-331417-1](#)