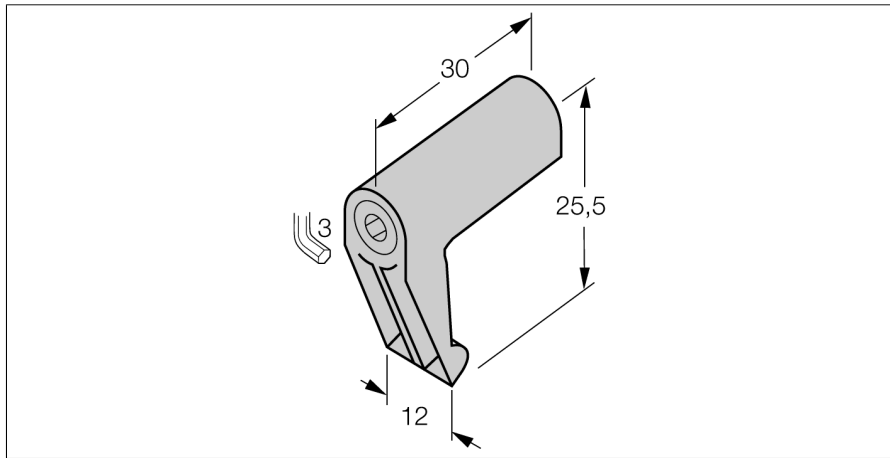
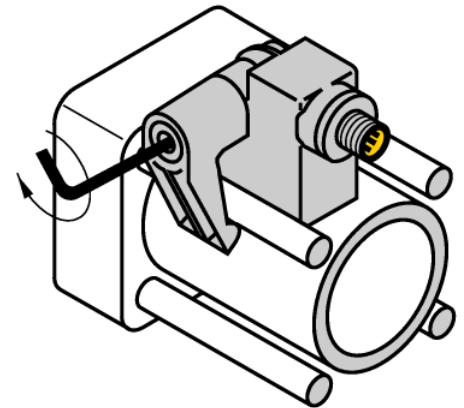


**Accessories  
for tie-rod cylinders  
KLI1**



Mounting accessories for magnetic-inductive sensors for mounting on tie-rod cylinders with diameters of 32...100 mm, die-cast zinc



<b>Type designation</b>	KLI1
Ident no.	69710

<b>Design</b>	Accessories for rectangular sensor, IKE, IKT, IKM
Dimensions	30 x 25.5 x 12 mm
Housing material	Metal, GD-Zn
Fixing clamp for correspondent cylinder diameter	32 ... 100 mm
Clamping width min.	4 mm
Max.clamp width	13 mm

