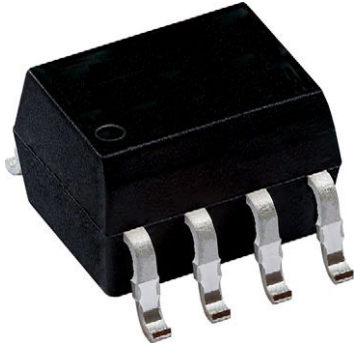


## High Speed Optocoupler, 10 MBd

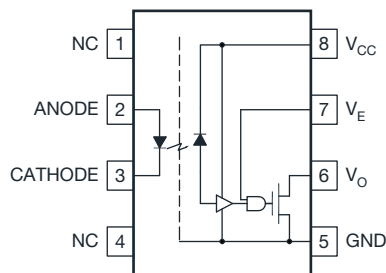


### DESCRIPTION

The VOIH060A is a single channel 10 MBd optocoupler utilizing a high efficient input LED coupled to a high speed integrated photo-detector logic gate with a strobable output. This detector features an open drain output. The internal shield provides a guaranteed common mode transient immunity of 15 kV/μs.

### FEATURES

- CMTI of 15 kV/μs (min.)
- 3.3 V / 5 V dual supply voltage
- LVTTTL/LVCMOS compatibility
- Low power consumption
- Material categorization:  
for definitions of compliance please see [www.vishay.com/doc?99912](http://www.vishay.com/doc?99912)


**RoHS**  
COMPLIANT


### APPLICATIONS

- Microprocessor system interface
- Ground loop elimination
- Digital bus systems isolation
- High speed A/D and D/A conversion
- Digital control power supply
- Level shifting

### AGENCY APPROVALS

- UL1577 (pending)
- cUL (pending)
- DIN EN 60747-5-5 (VDE 0884-5), available with option 1 (pending)

### ORDERING INFORMATION

V	O	I	H	0	6	0	A	-	X	0	#	#	T
PART NUMBER									PACKAGE OPTION			TAPE AND REEL	

AGENCY CERTIFIED / PACKAGE	
UL, cUL	
SOIC-8	VOIH060AT
UL, cUL, VDE (option 1)	
SOIC-8	VOIH060A-X001T

#### Note

- Additional options may be possible, please contact sales office



<b>ABSOLUTE MAXIMUM RATINGS</b> ( $T_{amb} = 25\text{ }^{\circ}\text{C}$ , unless otherwise specified)				
PARAMETER	TEST CONDITION	SYMBOL	VALUE	UNIT
<b>INPUT</b>				
Input forward current		$I_F$	20	mA
Reverse input voltage		$V_R$	5	V
Enable input voltage		$V_E$	$V_{CC} + 0.5\text{ V}$	V
Enable input current		$I_E$	5	mA
Input power dissipation		$P_{diss}$	40	mW
<b>OUTPUT</b>				
Supply voltage		$V_{CC}$	7	V
Output current		$I_O$	50	mA
Output voltage		$V_O$	7	V
Output power dissipation		$P_{diss}$	85	mW
<b>COUPLER</b>				
Storage temperature		$T_{stg}$	-55 to +125	$^{\circ}\text{C}$
Operating temperature		$T_{amb}$	-40 to +110	$^{\circ}\text{C}$
Solder reflow temperature <sup>(1)</sup>	5 s		260	$^{\circ}\text{C}$

**Notes**

- Stresses in excess of the absolute maximum ratings can cause permanent damage to the device. Functional operation of the device is not implied at these or any other conditions in excess of those given in the operational sections of this document. Exposure to absolute maximum ratings for extended periods of the time can adversely affect reliability.

<sup>(1)</sup> Refer to reflow profile for soldering conditions for surface mounted devices (SMD)

<b>RECOMMENDED OPERATING CONDITIONS</b>				
PARAMETER	SYMBOL	MIN.	MAX.	UNIT
Operating temperature	$T_{amb}$	-40	+110	$^{\circ}\text{C}$
Supply voltage	$V_{CC}$	2.7	3.6	V
	$V_{CC}$	4.5	5.5	V
Input current low level	$I_{FL}$	0	250	$\mu\text{A}$
Input current high level	$I_{FH}$	5	15	mA
Logic low enable voltage	$V_{EL}$	0	0.8	V
Logic high enable voltage	$V_{EH}$	2	$V_{CC}$	V
Output pull up resistor	$R_L$	330	4000	$\Omega$
Fanout ( $R_L = 1\text{ k}\Omega$ )	N	-	5	TTL loads

<b>TRUTH TABLE</b> (positive logic)		
LED	ENABLE	OUTPUT
On	H	L
Off	H	H
On	L	H
Off	L	H
On	Not connected / open	L
Off	Not connected / open	H



<b>ELECTRICAL CHARACTERISTICS</b> ( $T_{amb} = -40\text{ }^{\circ}\text{C}$ to $+110\text{ }^{\circ}\text{C}$ , $2.7\text{ V} \leq V_{CC} \leq 3.6\text{ V}$ , $I_F = 7.5\text{ mA}$ , unless otherwise specified; typical values are at $V_{CC} = 3.3\text{ V}$ , $T_{amb} = 25\text{ }^{\circ}\text{C}$ )						
PARAMETER	TEST CONDITION	SYMBOL	MIN.	TYP.	MAX.	UNIT
<b>INPUT</b>						
Input forward voltage	$I_F = 10\text{ mA}$	$V_F$	-	1.38	1.70	V
Input forward voltage temperature coefficient	$I_F = 10\text{ mA}$	$\Delta V_F/\Delta T$	-	-1.5	-	mV/K
Input reverse voltage	$I_R = 10\text{ }\mu\text{A}$	$BV_R$	5	-	-	V
Input threshold current	$V_E = 2\text{ V}$ , $V_O = 0.6\text{ V}$ , $V_{CC} = 3.3\text{ V}$ , $I_{OL}(\text{sinking}) = 13\text{ mA}$	$I_{TH}$	-	2	5	mA
Input capacitance	$f = 1\text{ MHz}$ , $V_F = 0\text{ V}$	$C_I$	-	34	-	pF
<b>OUTPUT</b>						
Low level supply current	$I_F = 10\text{ mA}$ , $V_{CC} = 3.3\text{ V}$ , $V_E = 0.5\text{ V}$	$I_{CCL}$	-	3.1	5	mA
High level supply current	$I_F = 0\text{ mA}$ , $V_{CC} = 3.3\text{ V}$ , $V_E = 0.5\text{ V}$	$I_{CCH}$	-	3.3	5	mA
Low level enable current	$V_{CC} = 3.3\text{ V}$ , $V_E = 0.5\text{ V}$	$I_{EL}$	-	-0.41	-1.6	mA
High level enable current	$V_{CC} = 3.3\text{ V}$ , $V_E = 2\text{ V}$	$I_{EH}$	-	-0.19	-1.6	mA
Low level enable voltage		$V_{EL}$	-	-	0.8	V
High level enable voltage		$V_{EH}$	2	-	-	V
Low level output voltage	$V_{CC} = 3.3\text{ V}$ , $V_E = 2\text{ V}$ , $I_F = 5\text{ mA}$ , $I_{OL}(\text{sinking}) = 13\text{ mA}$	$V_{OL}$	-	0.2	0.6	V
High level output current	$V_{CC} = 3.3\text{ V}$ , $V_E = 2\text{ V}$ , $V_O = 3.3\text{ V}$ , $I_F = 250\text{ }\mu\text{A}$	$I_{OH}$	-	1	10	$\mu\text{A}$
<b>COUPLER</b>						
Input to output capacitance	$f = 1\text{ MHz}$ , $T_{amb} = 25\text{ }^{\circ}\text{C}$	$C_{IO}$	-	1	-	pF

**Note**

- Minimum and maximum values are testing requirements. Typical values are characteristics of the device and are the result of engineering evaluation. Typical values are for information only and are not part of the testing requirements.

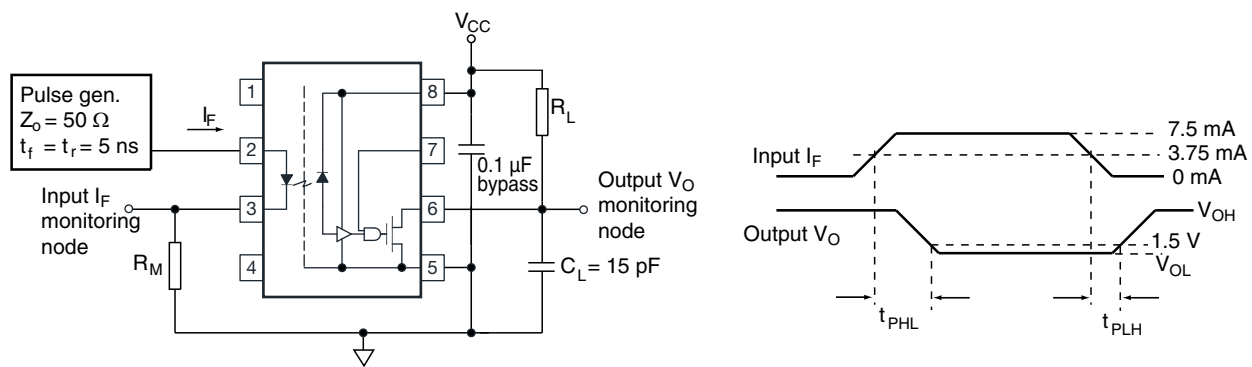
<b>ELECTRICAL CHARACTERISTICS</b> ( $T_{amb} = -40\text{ }^{\circ}\text{C}$ to $+110\text{ }^{\circ}\text{C}$ , $4.5\text{ V} \leq V_{CC} \leq 5.5\text{ V}$ , $I_F = 7.5\text{ mA}$ , unless otherwise specified; typical values are at $V_{CC} = 5.0\text{ V}$ , $T_{amb} = 25\text{ }^{\circ}\text{C}$ )						
PARAMETER	TEST CONDITION	SYMBOL	MIN.	TYP.	MAX.	UNIT
<b>INPUT</b>						
Input forward voltage	$I_F = 10\text{ mA}$	$V_F$	-	1.38	1.70	V
Input forward voltage temperature coefficient	$I_F = 10\text{ mA}$	$\Delta V_F/\Delta T$	-	-1.5	-	mV/K
Input reverse voltage	$I_R = 10\text{ }\mu\text{A}$	$BV_R$	5	-	-	V
Input threshold current	$V_E = 2\text{ V}$ , $V_O = 0.6\text{ V}$ , $V_{CC} = 5.5\text{ V}$ , $I_{OL}(\text{sinking}) = 13\text{ mA}$	$I_{TH}$	-	2	5	mA
Input capacitance	$f = 1\text{ MHz}$ , $V_F = 0\text{ V}$	$C_I$	-	34	-	pF
<b>OUTPUT</b>						
Low level supply current	$I_F = 10\text{ mA}$ , $V_{CC} = 5.5\text{ V}$ , $V_E = 0.5\text{ V}$	$I_{CCL}$	-	3.5	5	mA
High level supply current	$I_F = 0\text{ mA}$ , $V_{CC} = 5.5\text{ V}$ , $V_E = 0.5\text{ V}$	$I_{CCH}$	-	3.7	5	mA
Low level enable current	$V_{CC} = 5.5\text{ V}$ , $V_E = 0.5\text{ V}$	$I_{EL}$	-	-0.9	-1.6	mA
High level enable current	$V_{CC} = 5.5\text{ V}$ , $V_E = 2\text{ V}$	$I_{EH}$	-	-0.6	-1.6	mA
Low level enable voltage		$V_{EL}$	-	-	0.8	V
High level enable voltage		$V_{EH}$	2	-	-	V
Low level output voltage	$V_{CC} = 5.5\text{ V}$ , $V_E = 2\text{ V}$ , $I_F = 5\text{ mA}$ , $I_{OL}(\text{sinking}) = 13\text{ mA}$	$V_{OL}$	-	0.20	0.60	V
High level output current	$V_{CC} = 5.5\text{ V}$ , $V_E = 2\text{ V}$ , $V_O = 5.5\text{ V}$ , $I_F = 250\text{ }\mu\text{A}$	$I_{OH}$	-	1	10	$\mu\text{A}$
<b>COUPLER</b>						
Collector emitter capacitance	$f = 1\text{ MHz}$ , $T_{amb} = 25\text{ }^{\circ}\text{C}$	$C_{IO}$	-	1	-	pF

**Note**

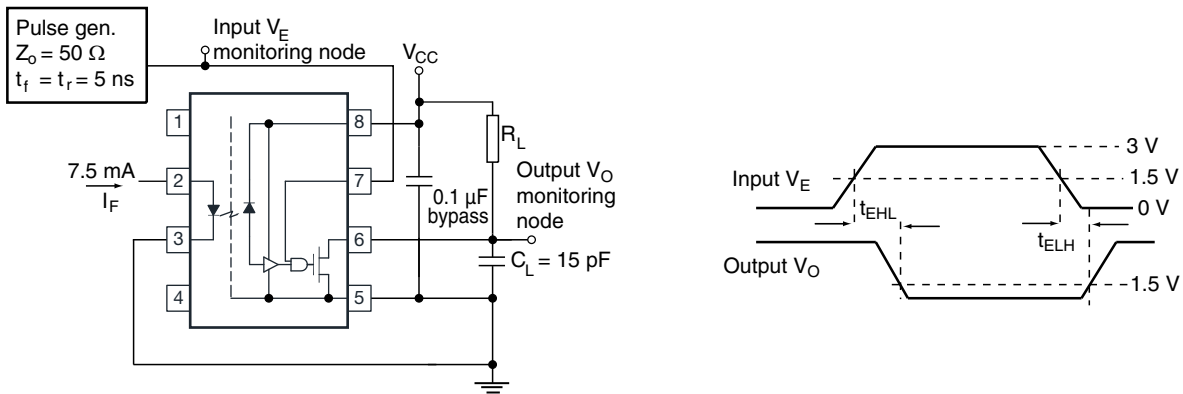
- Minimum and maximum values are testing requirements. Typical values are characteristics of the device and are the result of engineering evaluation. Typical values are for information only and are not part of the testing requirements.

<b>SWITCHING CHARACTERISTICS</b> ( $T_{amb} = -40\text{ }^{\circ}\text{C}$ to $+110\text{ }^{\circ}\text{C}$ , $2.7\text{ V} \leq V_{CC} \leq 3.6\text{ V}$ , $I_F = 7.5\text{ mA}$ , unless otherwise specified; typical values are at $V_{CC} = 3.3\text{ V}$ , $T_{amb} = 25\text{ }^{\circ}\text{C}$ )						
PARAMETER	TEST CONDITION	SYMBOL	MIN.	TYP.	MAX.	UNIT
Propagation delay time to high output level	$R_L = 350\ \Omega$ , $C_L = 15\text{ pF}$	$t_{PLH}$	25	50	90	ns
Propagation delay time to low output level	$R_L = 350\ \Omega$ , $C_L = 15\text{ pF}$	$t_{PHL}$	25	44	75	ns
Pulse width distortion	$R_L = 350\ \Omega$ , $C_L = 15\text{ pF}$	$ t_{PLH} - t_{PHL} $	-	6	-	ns
Propagation delay skew	$R_L = 350\ \Omega$ , $C_L = 15\text{ pF}$	$t_{PSK}$	-	-	40	ns
Output rise time (10 % to 90 %)	$R_L = 350\ \Omega$ , $C_L = 15\text{ pF}$	$t_r$	-	11	-	ns
Output fall time (90 % to 10 %)	$R_L = 350\ \Omega$ , $C_L = 15\text{ pF}$	$t_f$	-	2.3	-	ns
Propagation delay time of enable from $V_{EH}$ to $V_{EL}$	$R_L = 350\ \Omega$ , $C_L = 15\text{ pF}$ , $V_{EL} = 0\text{ V}$ , $V_{EH} = 3\text{ V}$	$t_{ELH}$	-	15	-	ns
Propagation delay time of enable from $V_{EL}$ to $V_{EH}$	$R_L = 350\ \Omega$ , $C_L = 15\text{ pF}$ , $V_{EL} = 0\text{ V}$ , $V_{EH} = 3\text{ V}$	$t_{EHL}$	-	15	-	ns

<b>SWITCHING CHARACTERISTICS</b> ( $T_{amb} = -40\text{ }^{\circ}\text{C}$ to $+110\text{ }^{\circ}\text{C}$ , $4.5\text{ V} \leq V_{CC} \leq 5.5\text{ V}$ , $I_F = 7.5\text{ mA}$ , unless otherwise specified; typical values are at $V_{CC} = 5.0\text{ V}$ , $T_{amb} = 25\text{ }^{\circ}\text{C}$ )						
PARAMETER	TEST CONDITION	SYMBOL	MIN.	TYP.	MAX.	UNIT
Propagation delay time to high output level	$R_L = 350\ \Omega$ , $C_L = 15\text{ pF}$	$t_{PLH}$	25	50	90	ns
	$R_L = 350\ \Omega$ , $C_L = 15\text{ pF}$ , $T_{amb} = 25\text{ }^{\circ}\text{C}$	$t_{PLH}$	-	-	100	ns
Propagation delay time to low output level	$R_L = 350\ \Omega$ , $C_L = 15\text{ pF}$	$t_{PHL}$	25	40	75	ns
	$R_L = 350\ \Omega$ , $C_L = 15\text{ pF}$ , $T_{amb} = 25\text{ }^{\circ}\text{C}$	$t_{PHL}$	-	-	100	ns
Pulse width distortion	$R_L = 350\ \Omega$ , $C_L = 15\text{ pF}$	$ t_{PLH} - t_{PHL} $	-	10	-	ns
Propagation delay skew	$R_L = 350\ \Omega$ , $C_L = 15\text{ pF}$	$t_{PSK}$	-	-	40	ns
Output rise time (10 % to 90 %)	$R_L = 350\ \Omega$ , $C_L = 15\text{ pF}$	$t_r$	-	11	-	ns
Output fall time (90 % to 10 %)	$R_L = 350\ \Omega$ , $C_L = 15\text{ pF}$	$t_f$	-	2.3	-	ns
Propagation delay time of enable from $V_{EH}$ to $V_{EL}$	$R_L = 350\ \Omega$ , $C_L = 15\text{ pF}$ , $V_{EL} = 0\text{ V}$ , $V_{EH} = 3\text{ V}$	$t_{ELH}$	-	15	-	ns
Propagation delay time of enable from $V_{EL}$ to $V_{EH}$	$R_L = 350\ \Omega$ , $C_L = 15\text{ pF}$ , $V_{EL} = 0\text{ V}$ , $V_{EH} = 3\text{ V}$	$t_{EHL}$	-	15	-	ns


 Fig. 1 - Test Circuit for  $t_{PLH}$ ,  $t_{PHL}$ ,  $t_r$ , and  $t_f$ 

18964-7



The probe and Jig capacitances are included in  $C_L$

18975-5

 Fig. 2 - Test Circuit for  $t_{EHL}$  and  $t_{ELH}$ 

COMMON MODE TRANSIENT IMMUNITY ( $T_{amb} = 25\text{ }^\circ\text{C}$ , unless otherwise specified)						
PARAMETER	TEST CONDITION	SYMBOL	MIN.	TYP.	MAX.	UNIT
Logic high common mode transient immunity	$V_{CC} = 3.3\text{ V}$ , $ V_{CM}  = 1000\text{ V}$ , $I_F = 0\text{ mA}$ , $V_O > 2.0\text{ V}$ , $R_L = 350\text{ }\Omega$	$ CM_H $	15 000	-	-	V/ $\mu\text{s}$
	$V_{CC} = 5\text{ V}$ , $ V_{CM}  = 1000\text{ V}$ , $I_F = 0\text{ mA}$ , $V_O > 2.0\text{ V}$ , $R_L = 350\text{ }\Omega$	$ CM_H $	15 000	-	-	V/ $\mu\text{s}$
Logic low common mode transient immunity	$V_{CC} = 5\text{ V}$ , $ V_{CM}  = 1000\text{ V}$ , $I_F = 10\text{ mA}$ , $V_O < 0.8\text{ V}$ , $R_L = 350\text{ }\Omega$	$ CM_L $	15 000	-	-	V/ $\mu\text{s}$
	$V_{CC} = 5\text{ V}$ , $ V_{CM}  = 1000\text{ V}$ , $I_F = 10\text{ mA}$ , $V_O < 0.8\text{ V}$ , $R_L = 350\text{ }\Omega$	$ CM_L $	15 000	-	-	V/ $\mu\text{s}$

**Notes**

- No external pull up is required for a high logic state on the enable input. If the enable pin is not used, connect it to  $V_{CC}$ .

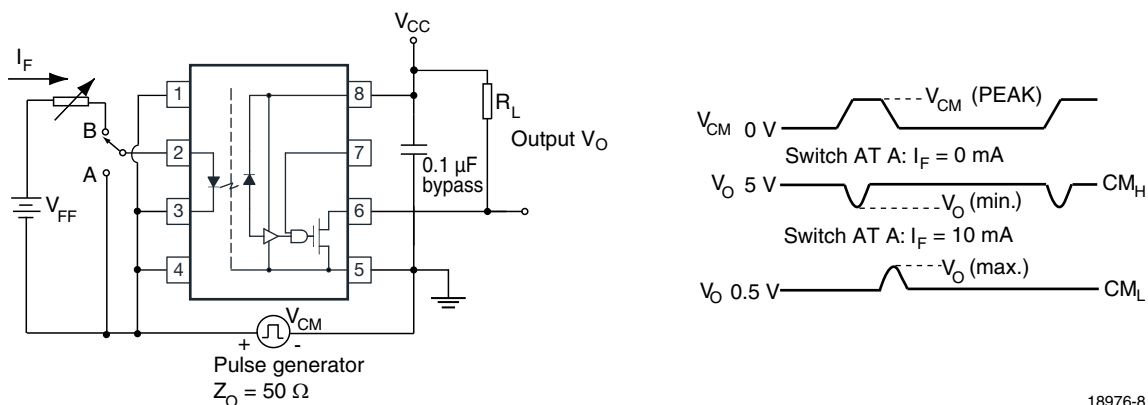


Fig. 3 - Test Circuit for Common Mode Transient Immunity

18976-8

SAFETY AND INSULATION RATINGS				
PARAMETER	TEST CONDITION	SYMBOL	VALUE	UNIT
Climatic classification	According to IEC 68 part 1		40 / 100 / 21	
Pollution degree	According to DIN VDE 0109		2	
Comparative tracking index	Insulation group IIIa	CTI	175	
Maximum rated withstanding isolation voltage	According to UL1577, t = 1 min	$V_{ISO}$	3750	$V_{RMS}$
Maximum transient isolation voltage	According to DIN EN 60747-5-5	$V_{IOTM}$	6000	$V_{peak}$
Maximum repetitive peak isolation voltage	According to DIN EN 60747-5-5	$V_{IORM}$	567	$V_{peak}$
Isolation resistance	$T_{amb} = 25\text{ }^{\circ}\text{C}$ , $V_{IO} = 500\text{ V}$	$R_{IO}$	$\geq 10^{12}$	$\Omega$
Maximum output power dissipation		$P_{SO}$	85	mW
Maximum input current		$I_{SI}$	50	mA
Maximum ambient temperature (derated)		$T_S$	175	$^{\circ}\text{C}$
Creepage distance			$\geq 5$	mm
Clearance distance			$\geq 5$	mm
Insulation thickness		DTI	$\geq 0.4$	mm

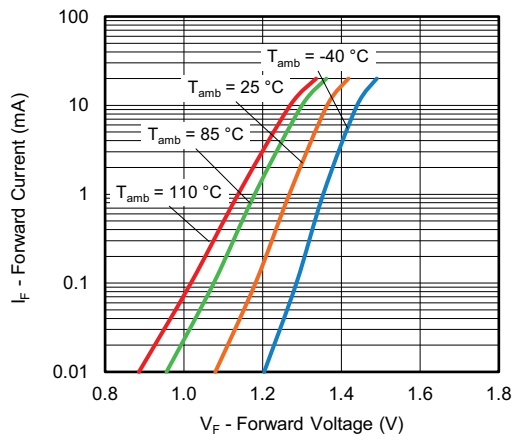
**TYPICAL CHARACTERISTICS** ( $T_{amb} = 25\text{ }^{\circ}\text{C}$ , unless otherwise specified)


Fig. 4 - Diode Forward Current vs. Forward Voltage

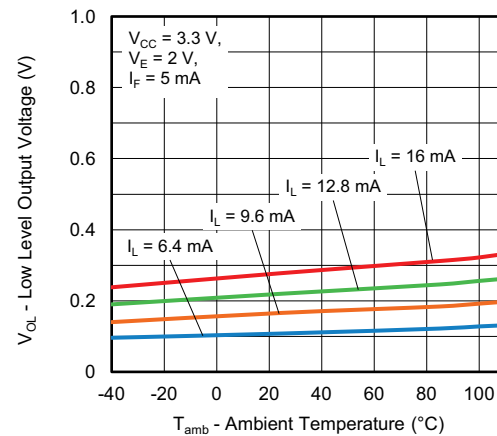


Fig. 6 - Low Level Output Voltage vs. Ambient Temperature

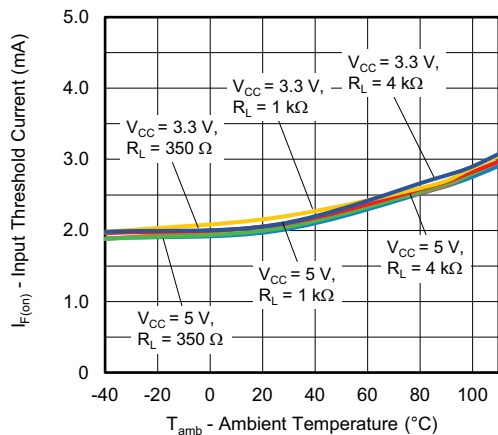


Fig. 5 - Input Threshold Current vs. Ambient Temperature

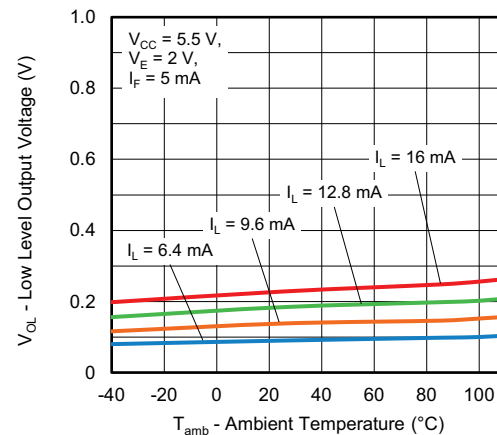


Fig. 7 - Low Level Output Voltage vs. Ambient Temperature

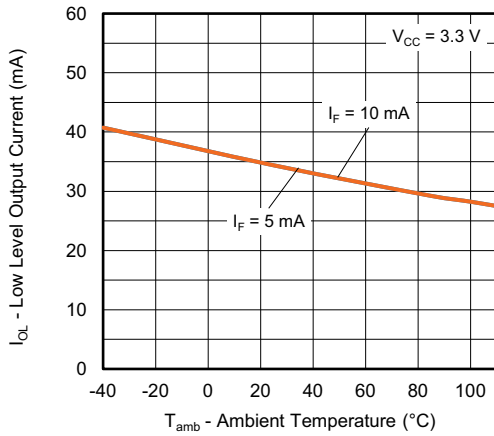


Fig. 8 - Low Level Output Current vs. Ambient Temperature

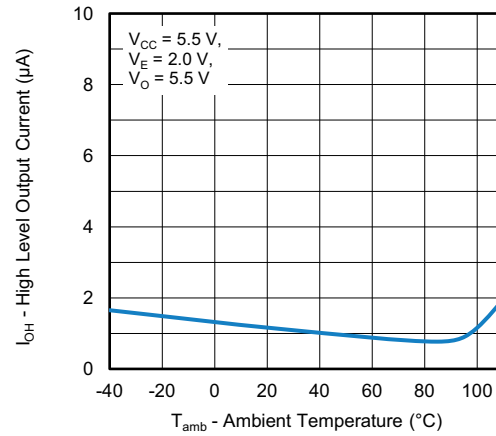


Fig. 11 - High Level Output Current vs. Ambient Temperature

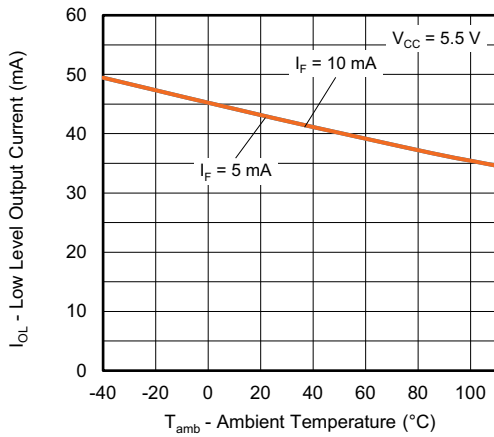


Fig. 9 - Low Level Output Current vs. Ambient Temperature

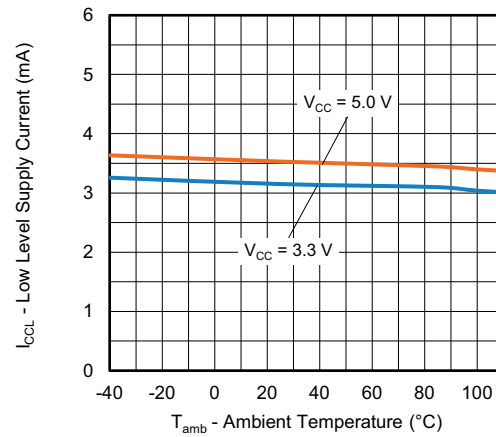


Fig. 12 - Low Level Supply Current vs. Ambient Temperature

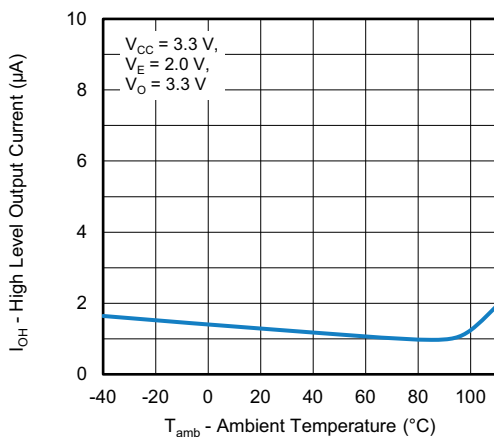


Fig. 10 - High Level Output Current vs. Ambient Temperature

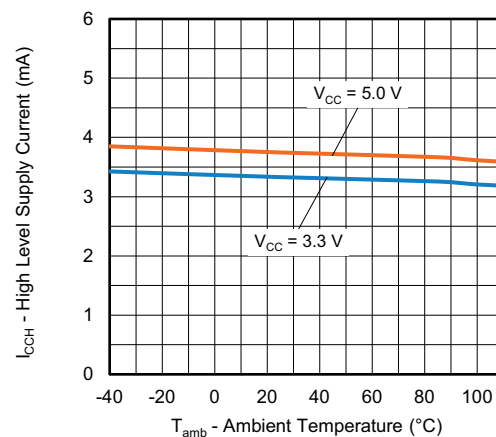


Fig. 13 - High Level Supply Current vs. Ambient Temperature

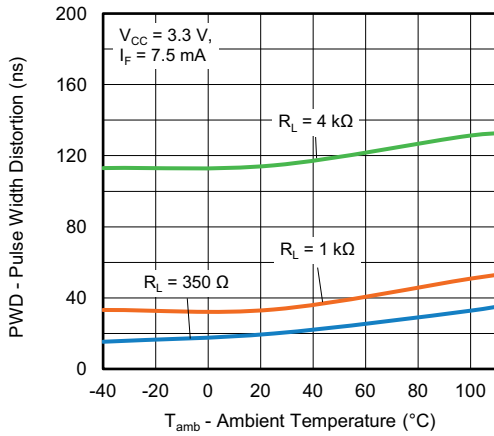


Fig. 14 - Pulse Width Distortion vs. Ambient Temperature

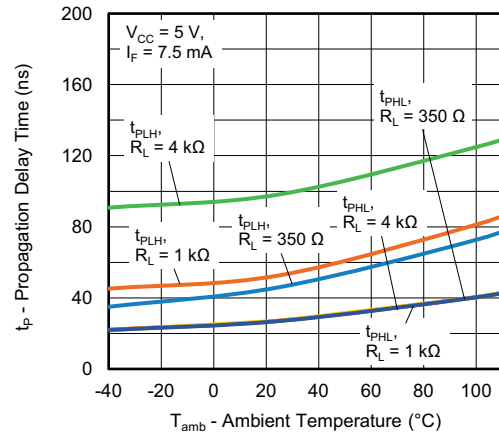


Fig. 17 - Propagation Delay Time vs. Ambient Temperature

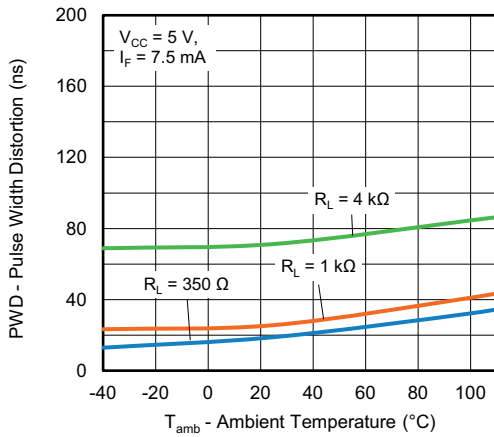


Fig. 15 - Pulse Width Distortion vs. Ambient Temperature

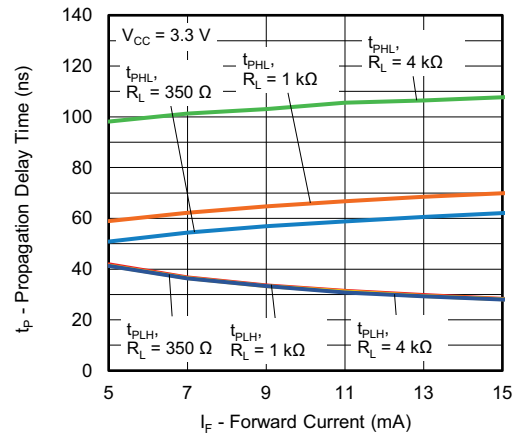


Fig. 18 - Propagation Delay Time vs. Forward Current

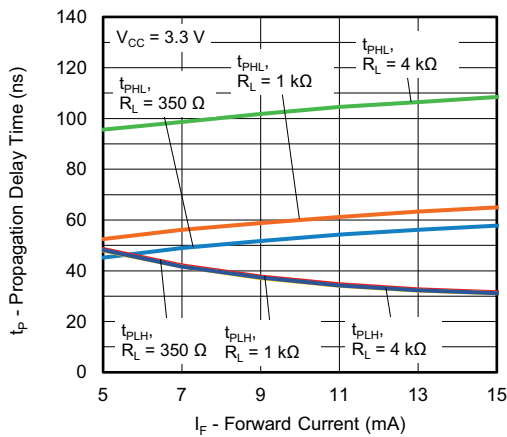


Fig. 16 - Propagation Delay Time vs. Ambient Temperature

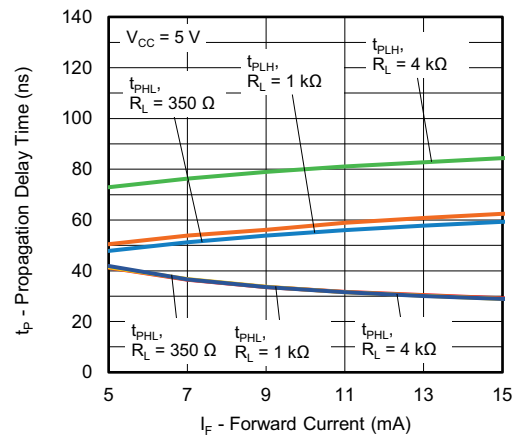


Fig. 19 - Propagation Delay Time vs. Forward Current



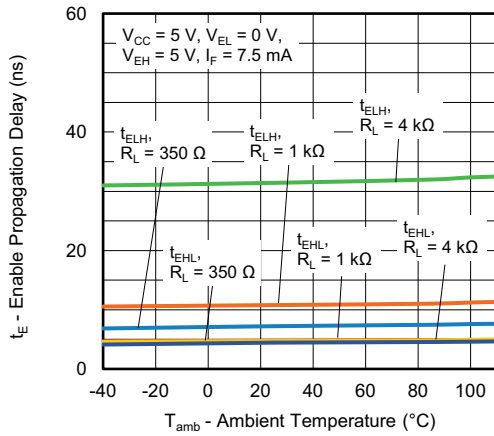


Fig. 20 - Enable Propagation Delay vs. Ambient Temperature

**PACKAGE DIMENSIONS** (in millimeters)

**SOIC-8**

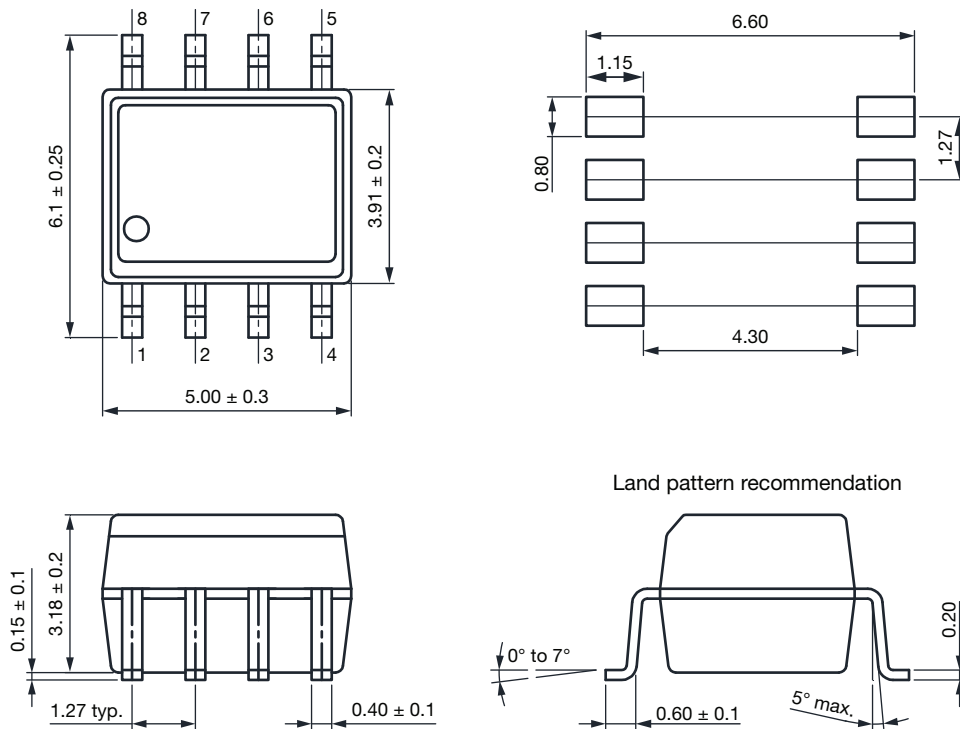


Fig. 21

**PACKAGE MARKING**

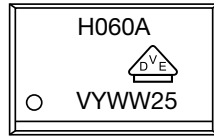


Fig. 22 - Example of VOIH060A-X001T

**Notes**

- “YWW” is the date code marking (Y = year code, WW = week code)
- The VDE symbol is only marked on VDE option parts
- Tape and reel suffix (T) is not part of the package marking

**PACKAGING INFORMATION** (in millimeters)

**SOIC-8 Tape**

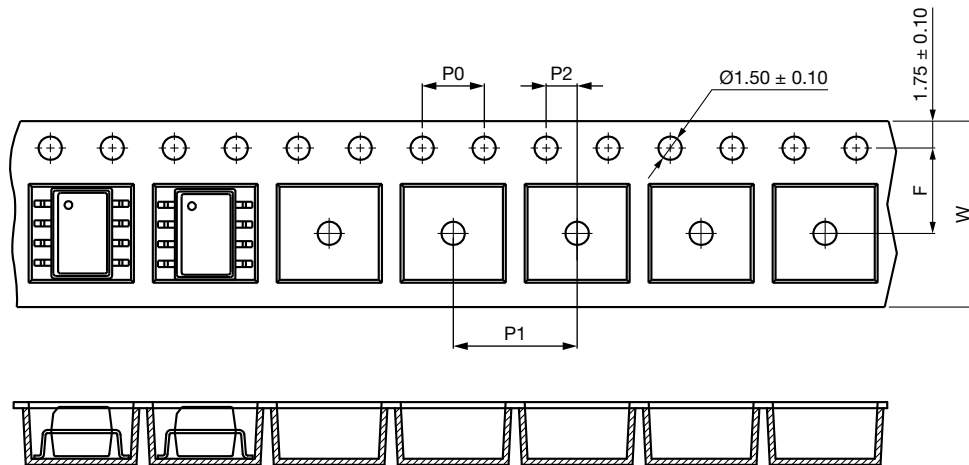


Fig. 23 - Tape and Reel Packaging (2000 pieces on reel)

Reel

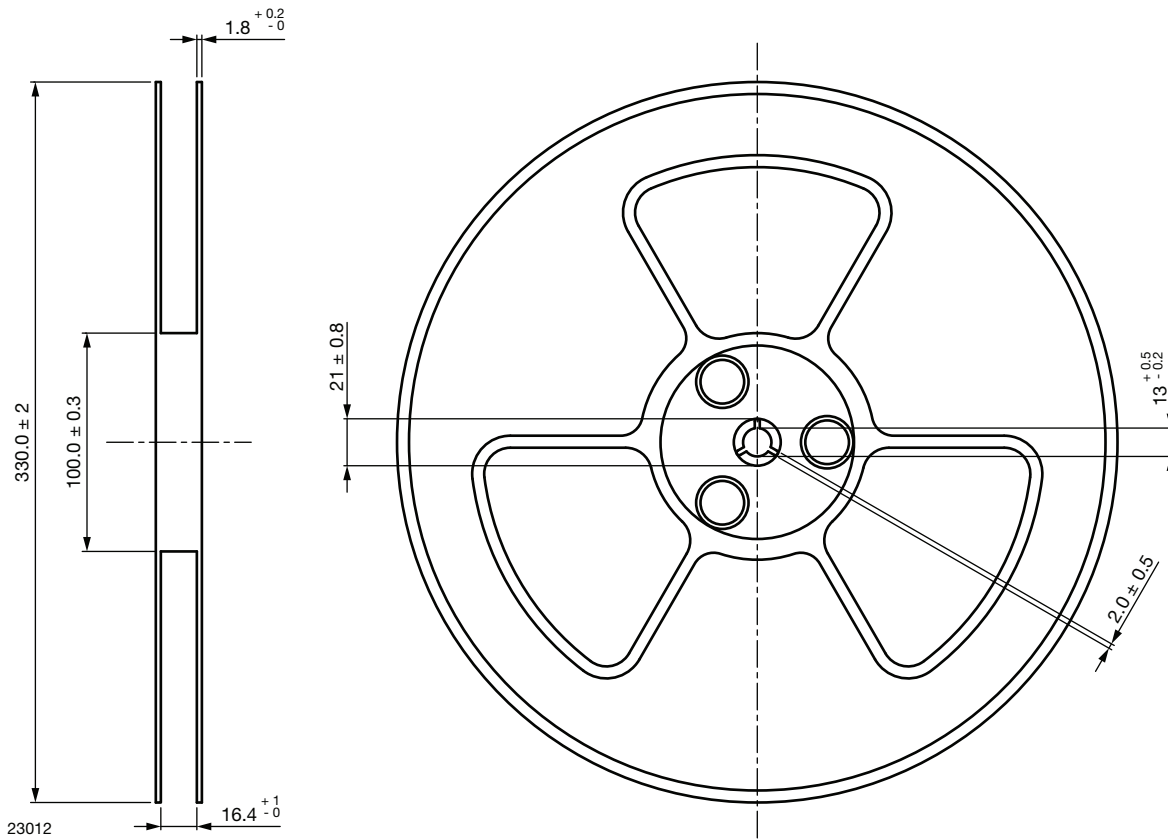


Fig. 24 - Tape and Reel Shipping Medium

**SOLDER PROFILES**
**IR Reflow Soldering (JEDEC® J-STD-020C compliant)**

One time soldering reflow is recommended within the condition of temperature and time profile shown below. Do not solder more than three times.

PROFILE ITEM	CONDITIONS
Preheat	
- Temperature minimum ( $T_{S \text{ min.}}$ )	150 °C
- Temperature maximum ( $T_{S \text{ max.}}$ )	200 °C
- Time (min. to max.) ( $t_s$ )	90 s $\pm$ 30 s
Soldering zone	
- Temperature ( $T_L$ )	217 °C
- Time ( $t_L$ )	60 s
Peak temperature ( $T_p$ )	260 °C
Ramp-up rate	3 °C/s max.
Ramp-down rate	3 °C/s to 6 °C/s

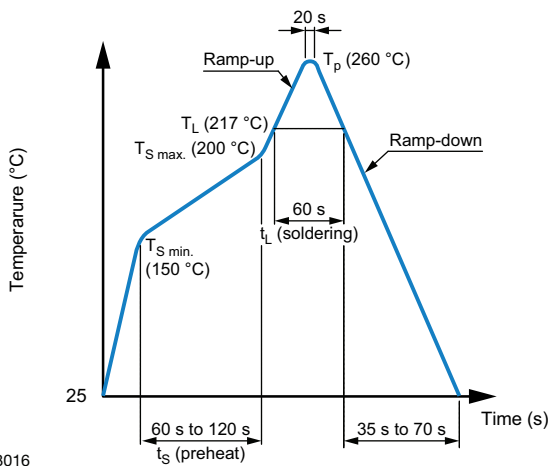


Fig. 25

**Wave Soldering (JEDEC JESD22-A111 compliant)**

One time soldering is recommended within the condition of temperature.

Temperature: 260 °C + 0 °C / - 5 °C

Time: 10 s

Preheat temperature: 25 °C to 140 °C

Preheat time: 30 s to 80 s

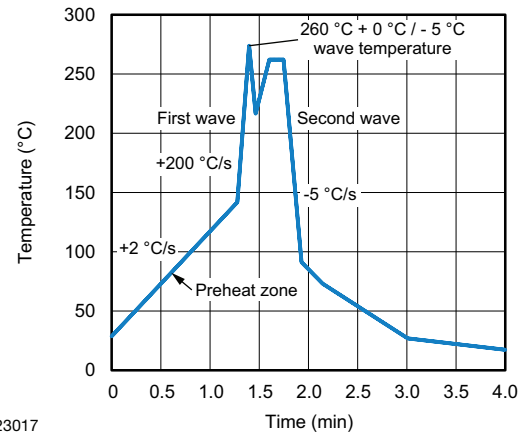


Fig. 26

23017

**Hand Soldering by Soldering Iron**

Allow single lead soldering in every single process. One time soldering is recommended.

Temperature: 380 °C + 0 °C / - 5 °C

Time: 3 s max.

**HANDLING AND STORAGE CONDITIONS**

ESD level: HBM class 2

Floor life: unlimited

Conditions:  $T_{\text{amb}} < 30 \text{ °C}$ , RH < 85 %

Moisture sensitivity level 1, according to J-STD-020

23016



## **Disclaimer**

ALL PRODUCT, PRODUCT SPECIFICATIONS AND DATA ARE SUBJECT TO CHANGE WITHOUT NOTICE TO IMPROVE RELIABILITY, FUNCTION OR DESIGN OR OTHERWISE.

Vishay Intertechnology, Inc., its affiliates, agents, and employees, and all persons acting on its or their behalf (collectively, "Vishay"), disclaim any and all liability for any errors, inaccuracies or incompleteness contained in any datasheet or in any other disclosure relating to any product.

Vishay makes no warranty, representation or guarantee regarding the suitability of the products for any particular purpose or the continuing production of any product. To the maximum extent permitted by applicable law, Vishay disclaims (i) any and all liability arising out of the application or use of any product, (ii) any and all liability, including without limitation special, consequential or incidental damages, and (iii) any and all implied warranties, including warranties of fitness for particular purpose, non-infringement and merchantability.

Statements regarding the suitability of products for certain types of applications are based on Vishay's knowledge of typical requirements that are often placed on Vishay products in generic applications. Such statements are not binding statements about the suitability of products for a particular application. It is the customer's responsibility to validate that a particular product with the properties described in the product specification is suitable for use in a particular application. Parameters provided in datasheets and / or specifications may vary in different applications and performance may vary over time. All operating parameters, including typical parameters, must be validated for each customer application by the customer's technical experts. Product specifications do not expand or otherwise modify Vishay's terms and conditions of purchase, including but not limited to the warranty expressed therein.

Hyperlinks included in this datasheet may direct users to third-party websites. These links are provided as a convenience and for informational purposes only. Inclusion of these hyperlinks does not constitute an endorsement or an approval by Vishay of any of the products, services or opinions of the corporation, organization or individual associated with the third-party website. Vishay disclaims any and all liability and bears no responsibility for the accuracy, legality or content of the third-party website or for that of subsequent links.

Except as expressly indicated in writing, Vishay products are not designed for use in medical, life-saving, or life-sustaining applications or for any other application in which the failure of the Vishay product could result in personal injury or death. Customers using or selling Vishay products not expressly indicated for use in such applications do so at their own risk. Please contact authorized Vishay personnel to obtain written terms and conditions regarding products designed for such applications.

No license, express or implied, by estoppel or otherwise, to any intellectual property rights is granted by this document or by any conduct of Vishay. Product names and markings noted herein may be trademarks of their respective owners.